

FASTENER TENSILE TEST:

- ENSURE THAT ADHESIVE BEAD IS VISIBLE AROUND ENTIRE OUTER EDGE OF BASEPLATE. PRESS ON ADHESIVE WITH FINGER TO DETERMINE IF ADHESIVE IS PROPERLY CURED. ADHESIVE SHOULD NOT FEEL SOFT OR STICKY WHICH WOULD INDICATE AN INCOMPLETE CURE.
- PLACE THE CB609 AXIAL TENSILE TESTER OVER THE ADHESIVE BONDED FASTENER.
- STUD:** INSTALL THE CB609-A STUD ADAPTER ONTO THE STUD AND TIGHTEN AGAINST THE CB609 TOOL.
STANDOFF: SLIDE THE CB609-B STANDOFF ADAPTER ONTO THE STANDOFF AND TURN THE KNOB TO ENGAGE THE FIRST FEW STANDOFF THREADS.
- APPLY FORCE ON THE CB609 HANDLE UNTIL IT BREAKS OVER AT THE HANDLE PIVOT POINT. A PROPERLY INSTALLED FASTENER WILL REMAIN BONDED TO THE STRUCTURE.
- REMOVE THE CB609 TOOL AND APPLY A PAINT DOT MARKING TO THE FASTENER BASEPLATE.

ORDERING INSTRUCTIONS: ORDERING THE CB609 PROVIDES ONLY THE AXIAL TENSILE TESTER TOOL. STUD AND STANDOFF ADAPTERS ARE SOLD SEPARATELY. TO ORDER STUD OR STANDOFF ADAPTERS, USE SUFFIX "A" FOR STUD ADAPTER AND "B" FOR STANDOFF ADAPTER.

FOR OPTIONAL "REMOVE BEFORE FLIGHT" LANYARD ADD "L" SUFFIX TO PART NUMBER.

CALIBRATION INSTRUCTIONS: REFER TO CBPS609

UNLESS OTHERWISE SPECIFIED, ALL DIMENSIONS ARE IN INCHES AND TOLERANCES ARE AS SHOWN BELOW. DIMENSIONAL TOLERANCES AND SYMBOLS PER ANSI Y14.5M-1982.

PROPRIETARY PARTS SHOWN IN THIS DRAWING ARE THE SUBJECT OF ISSUED UNITED STATES AND FOREIGN PATENTS AND PATENTS PENDING. UNAUTHORIZED REPRODUCTION AND/OR DISTRIBUTION OF THIS DRAWING IS SPECIFICALLY PROHIBITED.

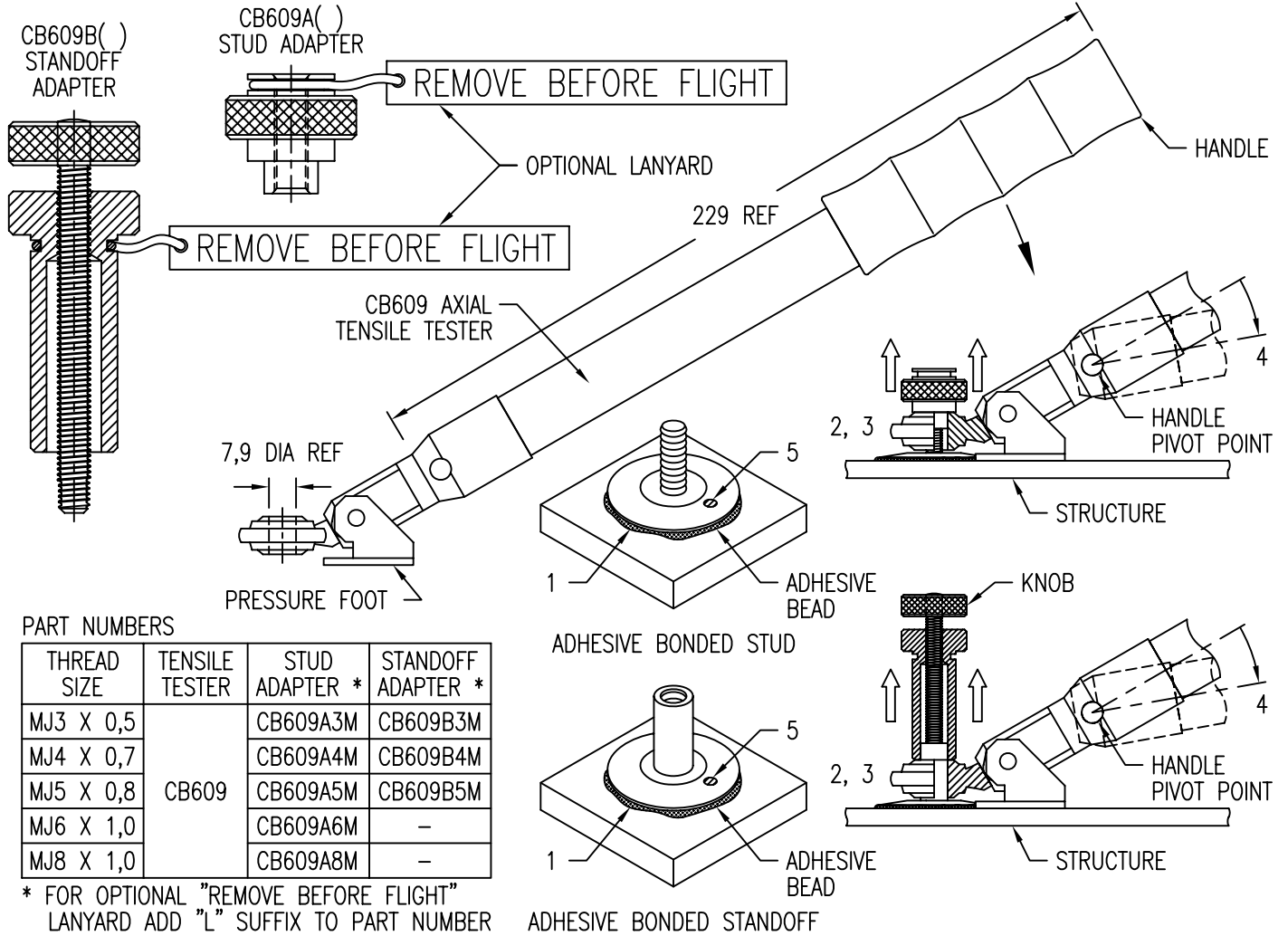
CLICK BOND

CARSON CITY
NEVADA 89706

CAD CB609-1

| APPROVALS | DATE |
|---------------------|--------|
| DRAWN <i>DAC</i> | 30CT08 |
| CHECKED <i>DAC</i> | 30CT08 |
| RELEASED <i>CGH</i> | 30CT08 |
| REVISED <i>DAC</i> | 30CT08 |

| TITLE | | | |
|----------------------|------------|----------|--------------|
| AXIAL TENSILE TESTER | | | |
| SIZE | CAGE CODE | DWG. NO. | REV. |
| A | 66530 | CB609 | 3 |
| SCALE | 1/2 30CT08 | | SHEET 1 OF 2 |



FASTENER TENSILE TEST:

- ENSURE THAT ADHESIVE BEAD IS VISIBLE AROUND ENTIRE OUTER EDGE OF BASEPLATE. PRESS ON ADHESIVE WITH FINGER TO DETERMINE IF ADHESIVE IS PROPERLY CURED. ADHESIVE SHOULD NOT FEEL SOFT OR STICKY WHICH WOULD INDICATE AN INCOMPLETE CURE.
- PLACE THE CB609 AXIAL TENSILE TESTER OVER THE ADHESIVE BONDED FASTENER.
- STUD:** INSTALL THE CB609-A STUD ADAPTER ONTO THE STUD AND TIGHTEN AGAINST THE CB609 TOOL.
STANDOFF: SLIDE THE CB609-B STANDOFF ADAPTER ONTO THE STANDOFF AND TURN THE KNOB TO ENGAGE THE FIRST FEW STANDOFF THREADS.
- APPLY FORCE ON THE CB609 HANDLE UNTIL IT BREAKS OVER AT THE HANDLE PIVOT POINT. A PROPERLY INSTALLED FASTENER WILL REMAIN BONDED TO THE STRUCTURE.
- REMOVE THE CB609 TOOL AND APPLY A PAINT DOT MARKING TO THE FASTENER BASEPLATE.

ORDERING INSTRUCTIONS: ORDERING THE CB609 PROVIDES ONLY THE AXIAL TENSILE TESTER TOOL. STUD AND STANDOFF ADAPTERS ARE SOLD SEPARATELY. TO ORDER STUD OR STANDOFF ADAPTERS, USE SUFFIX "A" FOR STUD ADAPTER AND "B" FOR STANDOFF ADAPTER.

FOR OPTIONAL "REMOVE BEFORE FLIGHT" LANYARD ADD "L" SUFFIX TO PART NUMBER.

CALIBRATION INSTRUCTIONS: REFER TO CBPS609

UNLESS OTHERWISE SPECIFIED, ALL DIMENSIONS ARE IN INCHES AND TOLERANCES ARE AS SHOWN BELOW. DIMENSIONAL TOLERANCES AND SYMBOLS PER ANSI Y14.5M-1982.

CAD CB609-2
METRIC DIMENSIONS

PROPRIETARY PARTS SHOWN IN THIS DRAWING ARE THE SUBJECT OF ISSUED UNITED STATES AND FOREIGN PATENTS AND PATENTS PENDING. UNAUTHORIZED REPRODUCTION AND/OR DISTRIBUTION OF THIS DRAWING IS SPECIFICALLY PROHIBITED.

CLICK BOND

CARSON CITY
NEVADA 89706

| APPROVALS | DATE |
|---------------------|--------|
| DRAWN <i>DAC</i> | 30CT08 |
| CHECKED <i>DAC</i> | 30CT08 |
| RELEASED <i>CGH</i> | 30CT08 |
| REVISED <i>DAC</i> | 30CT08 |

| TITLE | | | |
|----------------------|-----------|----------------|--------------|
| AXIAL TENSILE TESTER | | | |
| SIZE | CAGE CODE | DWG. NO. | REV. |
| A | 66530 | CB609 (METRIC) | 3 |
| SCALE | 1/2 | 30CT08 | SHEET 2 OF 2 |