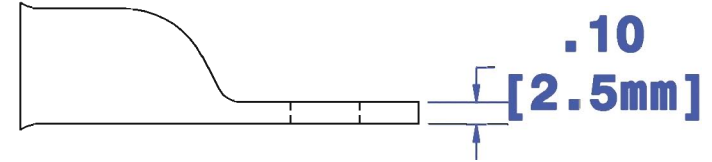
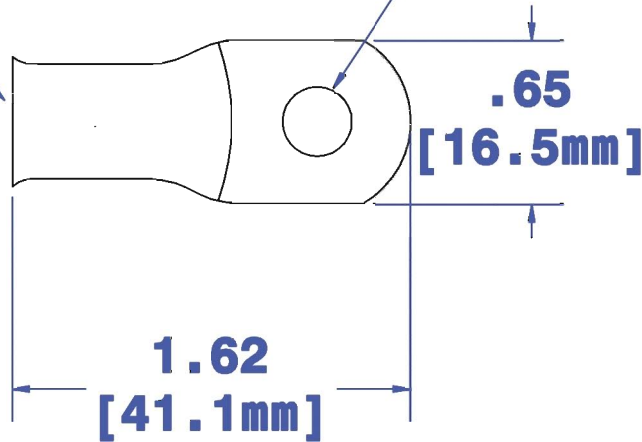


**ID sized for
2 ga [32mm²]
cable**

Hole for 1/4" [M6] stud



					TITLE 2 ga [32mm²] MAX LUG 1/4" [M6] stud	
					PART # 76-0214	
					Drawing # 	
					REV 	
			Drawn By Jim H	Date 7/11/03	Checked By Paul	Scale None
			Tolerances, unless otherwise noted All dimensions are ref only			
			Material & Treatment 100% Copper Tin plated			
			Sheet 1 of 1			
Rev	Date	By	Description			