

LENGTH L DATA (LENGTH L IN SIXTEENTHS OF AN INCH)

CODE	5	6	7	8	9	10	11	12	13	14	15	16	17	18	20	22	24
L	.312	.375	.437	.500	.562	.625	.687	.750	.812	.875	.937	1.000	1.062	1.125	1.250	1.375	1.500
D MIN	.218	.295	.400	.472													

STANDOFF MATERIAL AND FINISH DATA

CODE	MATERIAL	SPEC.	FINISH	SPEC.
A	2024 OR 6061	AMS-QQ-A-200, AMS-QQ-A-225, AMS-QQ-A-250	NONE	
AA	ALUMINUM		ANODIZE	MIL-A-8625
CR	302, 303, 304 OR A-286 CRES	AMS 5513, 5516, 5636, 5637, 5638, 5639, 5640, 5641, 5647 AMS 5525, 5726, 5731, 5732, 5734, 5737 (CHEMISTRY ONLY)	PASSIVATE	AMS 2700
CRA	A-286 CRES	AMS 5525, 5726, 5731, 5732, 5734, 5737 (CHEMISTRY ONLY)	PASSIVATE	AMS 2700
T	6AL-4V TITANIUM	AMS 4911, 4928, 4965, OR 4967	NONE	

THREAD T DATA

CODE	THREAD SIZE
06	.1380-32 UNC-3B
08	.1640-32 UNC-3B
3	.1900-32 UNF-3B

MS21209 OR NAS1130 INSERT.
INSERT INSTALLED PER MS33537.
DRI-FILM LUBE ON INSERT PER AS5272 TY 1.
THREAD LOCK PER NASM25027.
STANDOFF ACCOMMODATES AS8879 UNJ THREAD SCREW.

BASEPLATE MATERIAL (* = LOW HEAT RELEASE)

CODE	MATERIAL	SPEC.
C	CARBON/EPOXY, 350°F CURE	CBMS-105
E	GLASS/EPOXY, 350°F CURE	CBMS-106
G	GLASS/EPOXY, 250°F CURE	CBMS-107
K	GLASS/PEKK	CBMS-104
P	GLASS/PEEK	CBMS-103
U	30% GLASS/PEI	CBMS-102
UC	30% CARBON/PEI	CBMS-109
V	40% GLASS/PEI	CBMS-101
VC	40% CARBON/PEI	CBMS-108
W	30% GLASS/PEI *	CBMS-110
WC	30% CARBON/PEI *	CBMS-111

STANDOFF STRAIGHT WITHIN .004 INCH PER INCH OF LENGTH.
PITCH DIA CONCENTRIC WITH BASE O.D. WITHIN .020 FIM.
PITCH DIA PERPENDICULAR TO BASE WITHIN ±1 DEG.

DISPOSABLE PRESSURE SENSITIVE ADHESIVE FIXTURE
HOLDS STANDOFF WHILE ADHESIVE CURES.

EXAMPLE PART NUMBER

CB4001 G 3 CRA 12 H P 750

OPTIONAL TRIMMED BASE - .750
OPTIONAL MIL-PRF-85582 EPOXY PRIMER ON BASEPLATE
OPTIONAL INSPECTION HOLE
STANDOFF LENGTH L - .750
STANDOFF MATERIAL - A-286 CRES
THREAD SIZE T - .1900-32 UNF-3B
BASEPLATE MATERIAL - GLASS/EPOXY, 250°F CURE
BASIC PART NUMBER

UNLESS OTHERWISE SPECIFIED, ALL DIMENSIONS ARE IN INCHES AND TOLERANCES ARE AS SHOWN BELOW. DIMENSIONAL TOLERANCES AND SYMBOLS PER ANSI Y14.5M-1982.

PROPRIETARY PARTS SHOWN IN THIS DRAWING ARE THE SUBJECT OF ISSUED UNITED STATES AND FOREIGN PATENTS AND PATENTS PENDING. UNAUTHORIZED REPRODUCTION AND/OR DISTRIBUTION OF THIS DRAWING IS SPECIFICALLY PROHIBITED.

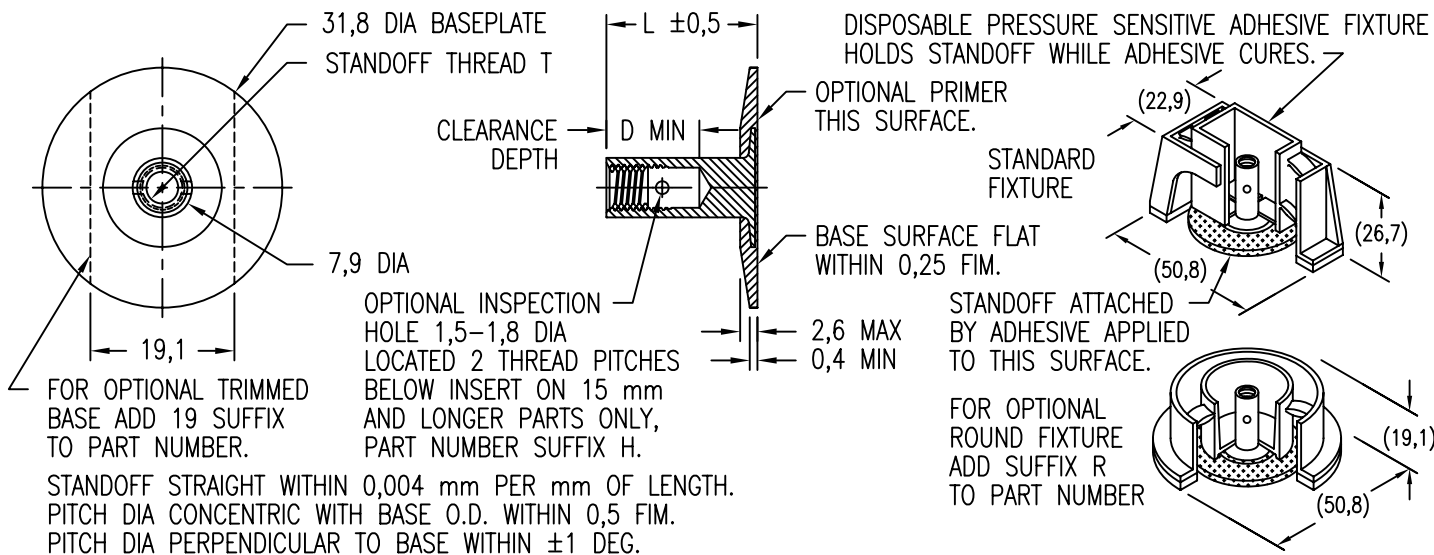


CARSON CITY
NEVADA 89706

CAD CB4001-1

APPROVALS	DATE
DRAWN <i>DAC</i>	30MAR09
CHECKED <i>DAC/mtm</i>	30MAR09
RELEASED <i>CGH</i>	30MAR09
REVISED <i>DAC</i>	30MAR09

TITLE			
STANDOFF, LOCKING THREAD, COMPOSITE BASE			
SIZE	CAGE CODE	DWG. NO.	REV.
A	66530	CB4001	25
SCALE	1/1	30MAR09	SHEET 1 OF 2



STANDOFF MATERIAL AND FINISH DATA

CODE	MATERIAL	SPEC.	FINISH	SPEC.
A	2024 OR 6061	AMS-QQ-A-200, AMS-QQ-A-225, AMS-QQ-A-250	NONE	
AA	ALUMINUM		ANODIZE	MIL-A-8625
CR	302, 303, 304 OR A-286 CRES	AMS 5513, 5516, 5636, 5637, 5638, 5639, 5640, 5641, 5647 AMS 5525, 5726, 5731, 5732, 5734, 5737 (CHEMISTRY ONLY)	PASSIVATE	AMS 2700
CRA	A-286 CRES	AMS 5525, 5726, 5731, 5732, 5734, 5737 (CHEMISTRY ONLY)	PASSIVATE	AMS 2700
T	6AL-4V TITANIUM	AMS 4911, 4928, 4965, OR 4967	NONE	

LENGTH L DATA (LENGTH L IN MILLIMETERS)

CODE	10M	12M	15M	20M	25M	30M	35M
L	10	12	15	20	25	30	35
D MIN	7,50		12,30				

BASEPLATE MATERIAL (* = LOW HEAT RELEASE)

CODE	MATERIAL	SPEC.
C	CARBON/EPOXY, 177°C CURE	CBMS-105
E	GLASS/EPOXY, 177°C CURE	CBMS-106
G	GLASS/EPOXY, 121°C CURE	CBMS-107
K	GLASS/PEKK	CBMS-104
P	GLASS/PEEK	CBMS-103
U	30% GLASS/PEI	CBMS-102
UC	30% CARBON/PEI	CBMS-109
V	40% GLASS/PEI	CBMS-101
VC	40% CARBON/PEI	CBMS-108
W	30% GLASS/PEI *	CBMS-110
WC	30% CARBON/PEI *	CBMS-111

THREAD T DATA

CODE	THREAD SIZE
3M	M3 X 0,5 4H5H
4M	M4 X 0,7 4H6H
5M	M5 X 0,8 4H6H

MA3330 OR EQUIVALENT INSERT.
INSERT INSTALLED PER MA1567.
DRI-FILM LUBE PER AS5272 TY 1.
THREAD LOCK PER ISO 2320.
STANDOFF ACCOMMODATES
ISO 5855 MJ THREAD SCREW.

EXAMPLE PART NUMBER

CB4001 G 5M CRA 20M H P 19

OPTIONAL TRIMMED BASE - 19,1 mm
OPTIONAL MIL-PRF-85582 EPOXY PRIMER ON BASEPLATE
OPTIONAL INSPECTION HOLE
STANDOFF LENGTH L - 20 mm
STANDOFF MATERIAL - A-286 CRES
THREAD SIZE T - M5 X 0,8 4H6H
BASEPLATE MATERIAL - GLASS/EPOXY, 121°C CURE
BASIC PART NUMBER

UNLESS OTHERWISE SPECIFIED, ALL DIMENSIONS ARE IN MILLIMETERS AND TOLERANCES ARE AS SHOWN BELOW. DIMENSIONAL TOLERANCES AND SYMBOLS PER ANSI Y14.5M-1982.

PROPRIETARY PARTS SHOWN IN THIS DRAWING ARE THE SUBJECT OF ISSUED UNITED STATES AND FOREIGN PATENTS AND PATENTS PENDING. UNAUTHORIZED REPRODUCTION AND/OR DISTRIBUTION OF THIS DRAWING IS SPECIFICALLY PROHIBITED.

CLICK BOND

CARSON CITY
NEVADA 89706

CAD CB4001-2 METRIC DIMENSIONS	
ANGLES	±1°
.X	±0,8
.XX	±0,25

APPROVALS	DATE
DRAWN <i>DAC</i>	30MAR09
CHECKED <i>DAC/mtm</i>	30MAR09
RELEASED <i>CGH</i>	30MAR09
REVISED <i>DAC</i>	30MAR09

TITLE STANDOFF, LOCKING THREAD, COMPOSITE BASE			
SIZE	CAGE CODE	DWG. NO.	REV.
A	66530	CB4001 (METRIC)	25
SCALE	1/1 30MAR09		SHEET 2 OF 2