

SURFACE TEXTURE: ROOT RADIUS AND THREAD FLANKS 32 MICROINCHES. OTHER SURFACES 125 MICROINCHES. GRIT BLASTED SURFACES 125 TO 250 MICROINCHES.

STUD STRAIGHT WITHIN .004 INCH PER INCH OF LENGTH. PITCH DIA CONCENTRIC WITH BASE O.D. WITHIN .020 FIM. PITCH DIA PERPENDICULAR TO BASE WITHIN ±1°.

FOR OPTIONAL ROUND FIXTURE ADD SUFFIX R TO PART NUMBER

LENGTH L DATA (LENGTH CODE IN SIXTEENTHS OF AN INCH)

CODE	4	6	8	10	12	14	16	18	20	22	24	26	28	30	32
L	.250	.375	.500	.625	.750	.875	1.000	1.125	1.250	1.375	1.500	1.625	1.750	1.875	2.000

MATERIAL AND FINISH DATA (NOTE: B SUFFIX TO PART NUMBER INDICATES ONE PIECE CONSTRUCTION REQUIRED)

CODE	MATERIAL	SPEC.	FINISH	SPEC.
A	2024 OR 7075 ALUMINUM	AMS-QQ-A-200, AMS-QQ-A-225, AMS-QQ-A-250	NONE	
AA			ANODIZE	MIL-A-8625
CR	302, 303, 304 OR A-286 CRES	AMS 5513, 5516, 5636, 5637, 5638, 5639, 5640, 5641, 5647 AMS 5525, 5726, 5731, 5732, 5734, 5737 (CHEMISTRY ONLY)	PASSIVATE	AMS 2700
CRA	A-286 CRES	AMS 5525, 5726, 5731, 5732, 5734, 5737 (CHEMISTRY ONLY)	PASSIVATE	AMS 2700
T	6AL-4V TITANIUM	AMS 4911, 4928, 4965, 4967	NONE	

THREAD DATA

CODE	THREAD SIZE	TD DIA
06	.1380-32 UNJC-3A	.1315-.1340
08	.1640-32 UNJC-3A	.1570-.1595
3	.1900-32 UNJF-3A	.1810-.1840
4	.2500-28 UNJF-3A	.2410-.2440
5	.3125-24 UNJF-3A	.3020-.3060

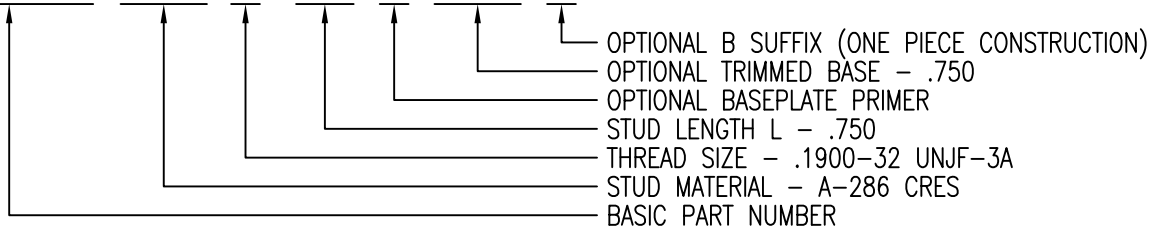
OPTIONAL BASEPLATE PRIMER

CODE	MATERIAL SPEC.
C	CYTEC BR127 PRIMER
P	MIL-PRF-85582 EPOXY PRIMER
W	CBPS-211 FILM PRIMER

MANUFACTURER'S OPTION: REDUCED MAJOR DIA TD

EXAMPLE PART NUMBER

CB3000 CRA 3-12 P 750



UNLESS OTHERWISE SPECIFIED, ALL DIMENSIONS ARE IN INCHES AND TOLERANCES ARE AS SHOWN BELOW. DIMENSIONAL TOLERANCES AND SYMBOLS PER ANSI Y14.5M-1982.

PROPRIETARY PARTS SHOWN IN THIS DRAWING ARE THE SUBJECT OF ISSUED UNITED STATES AND FOREIGN PATENTS AND PATENTS PENDING. UNAUTHORIZED REPRODUCTION AND/OR DISTRIBUTION OF THIS DRAWING IS SPECIFICALLY PROHIBITED.

**CLICK BOND**

CARSON CITY NEVADA 89706

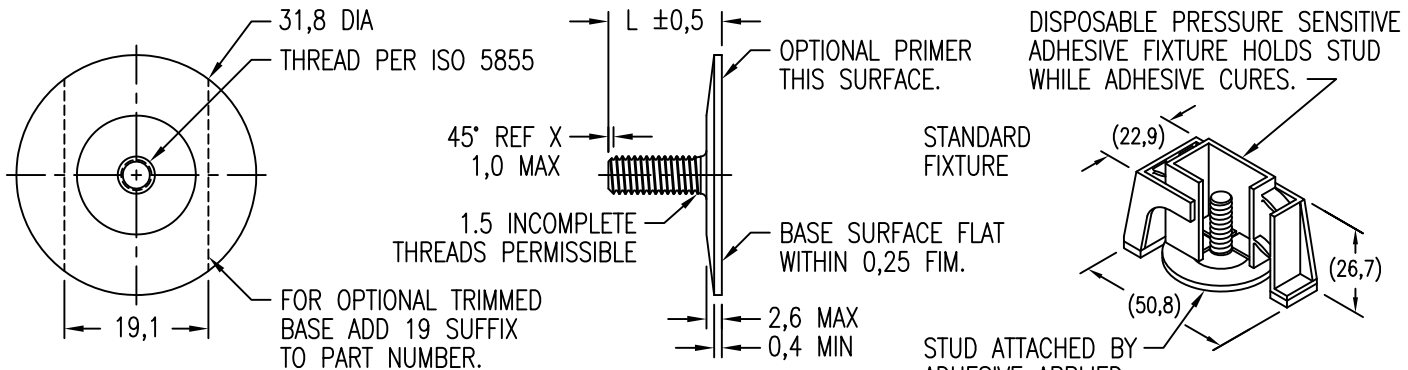
CAD CB3000-1

APPROVALS	DATE
DRAWN DAC	24NOV08
CHECKED DAC/mtm	14FEB18
RELEASED DAC	15FEB18
REVISED DAC	14FEB18

TITLE  
STUD, ADHESIVE BONDED

ANGLES	±1°
.XX	±.03
.XXX	±.010
.XXXX	±.001

SIZE	CAGE CODE	DWG. NO.	REV.
A	66530	CB3000	23
SCALE	1/1	14FEB18	SHEET 1 OF 2



SURFACE TEXTURE: ROOT RADIUS AND THREAD FLANKS 0,8 MICROMETERS. OTHER SURFACES 3,2 MICROMETERS. GRIT BLASTED SURFACES 3,2 TO 6,3 MICROMETERS.

STUD STRAIGHT WITHIN 0,004 mm PER mm OF LENGTH. PITCH DIA CONCENTRIC WITH BASE O.D. WITHIN 0,5 FIM. PITCH DIA PERPENDICULAR TO BASE WITHIN ±1°.

LENGTH L DATA (LENGTH L IN MILLIMETERS)

CODE	6M	8M	10M	12M	15M	20M	25M	30M	35M
L	6	8	10	12	15	20	25	30	35

MATERIAL AND FINISH DATA (NOTE: B SUFFIX TO PART NUMBER INDICATES ONE PIECE CONSTRUCTION REQUIRED)

CODE	MATERIAL	SPEC.	FINISH	SPEC.
A	2024 OR 7075 ALUMINUM	AMS-QQ-A-200, AMS-QQ-A-225, AMS-QQ-A-250	NONE	
AA			ANODIZE	MIL-A-8625
CR	302, 303, 304 OR A-286 CRES	AMS 5513, 5516, 5636, 5637, 5638, 5639, 5640, 5641, 5647 AMS 5525, 5726, 5731, 5732, 5734, 5737 (CHEMISTRY ONLY)	PASSIVATE	AMS 2700
CRA	A-286 CRES	AMS 5525, 5726, 5731, 5732, 5734, 5737 (CHEMISTRY ONLY)	PASSIVATE	AMS 2700
T	6AL-4V TITANIUM	AMS 4911, 4928, 4965, 4967	NONE	

THREAD DATA

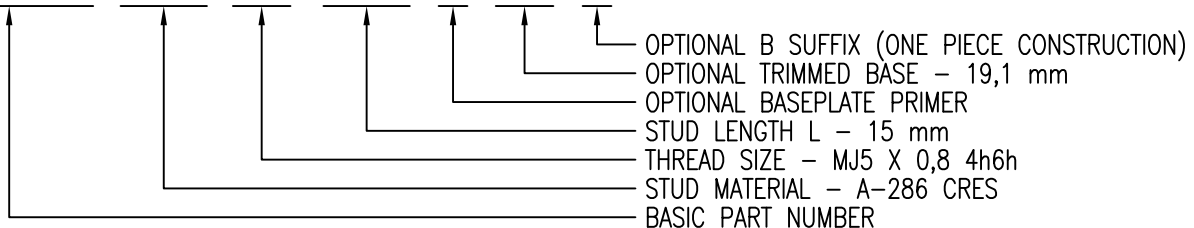
CODE	THREAD SIZE
3M	MJ3 X 0,5 4h6h
4M	MJ4 X 0,7 4h6h
5M	MJ5 X 0,8 4h6h
6M	MJ6 X 1,0 4h6h
8M	MJ8 X 1,0 4h6h

OPTIONAL BASEPLATE PRIMER

CODE	MATERIAL SPEC.
C	CYTEC BR127 PRIMER
P	MIL-PRF-85582 EPOXY PRIMER
W	CBPS-211 FILM PRIMER

EXAMPLE PART NUMBER

CB3000 CRA 5M 15M P 19



UNLESS OTHERWISE SPECIFIED, ALL DIMENSIONS ARE IN MILLIMETERS AND TOLERANCES ARE AS SHOWN BELOW. DIMENSIONAL TOLERANCES AND SYMBOLS PER ANSI Y14.5M-1982.

PROPRIETARY PARTS SHOWN IN THIS DRAWING ARE THE SUBJECT OF ISSUED UNITED STATES AND FOREIGN PATENTS AND PATENTS PENDING. UNAUTHORIZED REPRODUCTION AND/OR DISTRIBUTION OF THIS DRAWING IS SPECIFICALLY PROHIBITED.



CARSON CITY NEVADA 89706

CAD CB3000-2 METRIC DIMENSIONS		APPROVALS		DATE	TITLE		
ANGLES ±1°		DRAWN DAC		24NOV08	STUD, ADHESIVE BONDED		
.X ±0,8	CHECKED DAC	14FEB18		SIZE	CAGE CODE	DWG. NO.	REV.
.XX ±0,25	RELEASER DAC	15FEB18		A	66530	CB3000 (METRIC)	23
	REVISED DAC	14FEB18		SCALE	1/1	14FEB18	SHEET 2 OF 2