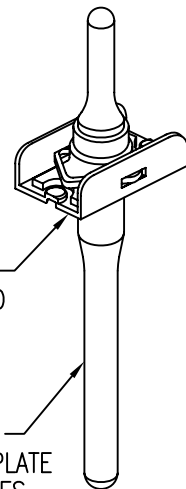


NUTPLATE MEETS THE STRENGTH REQUIREMENTS OF NASM25027.

BASEPLATE

NUTPLATE ATTACHED BY ADHESIVE APPLIED TO THIS SURFACE.

DISPOSABLE ELASTIC FIXTURE HOLDS NUTPLATE WHILE ADHESIVE CURES.



THREAD AND DIMENSION DATA (ALL DIMENSIONS BEFORE PAINT)

PART NUMBER	THREAD T	A	B MAX	D MIN	H MAX	R MIN	WEIGHT * LB/100
CB6003CR08()1	.1640-32 UNJC-3B	.570 .555	.454	.224	.250	.070	.52
CB6003CR3()1	.1900-32 UNJF-3B	.570 .555	.454	.250	.250	.070	.55
CB6003CR3()2					.312	.125	.60
CB6003CR3()3					.375	.188	.65
CB6003CR3()4					.438	.250	.72
CB6003CR3()5					.500	.313	.76
CB6003CR3()6					.562	.375	.81
CB6003CR4()1	.2500-28 UNJF-3B	.720 .705	.554	.312	.295	.070	1.01
CB6003CR4()2					.357	.125	1.06
CB6003CR4()3					.419	.188	1.10
CB6003CR4()4					.481	.250	1.19
CB6003CR4()5					.543	.313	1.28
CB6003CR4()6					.605	.375	1.38
CB6003CR5()1	.3125-24 UNJF-3B	.820 .805	.650	.375	.344	.070	1.41
CB6003CR5()2					.400	.125	1.47
CB6003CR5()3					.461	.188	1.58
CB6003CR5()4					.524	.250	1.70
CB6003CR5()5					.586	.313	1.81
CB6003CR5()6					.649	.375	1.92
CB6003CR6()1	.3750-24 UNJF-3B	.920 .905	.750	.437	.380	.070	2.37
CB6003CR6()2					.430	.125	2.49
CB6003CR7()1	.4375-20 UNJF-3B	1.100 1.085	.840	.500	.500	.070	3.90
CB6003CR8()1	.5000-20 UNJF-3B	1.146 1.131	.900	.562	.580	.070	4.37

* APPROXIMATE WEIGHT WITHOUT INSTALLATION FIXTURE

UNLESS OTHERWISE SPECIFIED, ALL DIMENSIONS ARE IN INCHES AND TOLERANCES ARE AS SHOWN BELOW. DIMENSIONAL TOLERANCES AND SYMBOLS PER ANSI Y14.5M-1982.

PROPRIETARY PARTS SHOWN IN THIS DRAWING ARE THE SUBJECT OF ISSUED UNITED STATES AND FOREIGN PATENTS AND PATENTS PENDING. UNAUTHORIZED REPRODUCTION AND/OR DISTRIBUTION OF THIS DRAWING IS SPECIFICALLY PROHIBITED.

CLICK BOND

CARSON CITY
NEVADA 89706

CAD CB6003-1

APPROVALS

DATE

TITLE

ANGLES ±1°

DRAWN *DAC*

27FEB08

NUTPLATE, NO LUG, ADHESIVE BONDED

.XX ±.03

CHECKED *DAC/mtm*

27FEB08

SIZE

CAGE CODE

DWG. NO.

REV.

.XXX ±.010

RELEASED *CGH*

29FEB08

A

66530

CB6003

0

.XXXX ±.001

REVISED

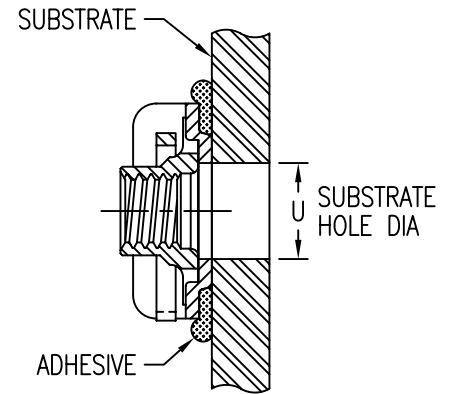
SCALE 2/1

27FEB08

SHEET 1 OF 4

INSTALLATION HOLE SIZE AND REPLACEMENT COMPONENTS

THREAD CODE	U MAX	NUT PART NO. *	CLIP PART NO.
08	.224	CB6001()08-1	CB6002-08
3	.250	CB6001()3-()	CB6002-3
4	.312	CB6001()4-()	CB6002-4
5	.375	CB6001()5-()	CB6002-5
6	.437	CB6001()6-()	CB6002-6
7	.500	CB6001()7-1	CB6002-7
8	.562	CB6001()8-1	CB6002-8



* FIRST () DESIGNATES NUT MATERIAL CODE.

- CR = A-286 CRES, PASSIVATE, DRI-FILM LUBE.
- CRC = A-286 CRES, CAD PLATE, DRI-FILM LUBE.
- CRS = A-286 CRES, SILVER PLATE.

SECOND () DESIGNATES NUTPLATE THREAD RELIEF (NUT C'BORE) CODE.

"NL" SUFFIX TO NUT PART NO. INDICATES NON-LOCKING NUT ELEMENT.

BASEPLATE MATERIAL AND FINISH DATA

CODE	MATERIAL	SPEC.	PASSIVATE
CR	A-286 CRES	AMS 5525	AMS 2700

OPTIONAL BASEPLATE PRIMER

CODE	MATERIAL SPEC.
P	MIL-PRF-85582

NUT MATERIAL AND FINISH DATA (SEE CB6001)

CODE	MATERIAL	FINISH	SPEC.	LUBRICATION	SPEC.
-	A-286 CRES	PASSIVATE	AMS 2700	DRI-FILM LUBE	AS5272 TYPE 1
CRC	A-286 CRES	CAD PLATE	AMS-QQ-P-416	DRI-FILM LUBE	AS5272 TYPE 1
CRS	A-286 CRES	SILVER PLATE	AMS 2410	NONE	

CLIP MATERIAL AND FINISH DATA (SEE CB6002)

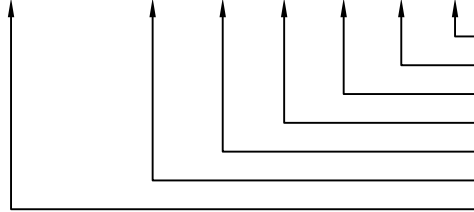
CODE	MATERIAL	FINISH
CR	302, 18-2 MN, OR UNS S24100 CRES	PASSIVATE

PART NUMBER SUFFIXES

SUFFIX	DESCRIPTION
NL	NON-LOCKING NUT ELEMENT
R	OPTIONAL HIGH REUSE NUT ELEMENT (50 REUSE CYCLES)

EXAMPLE PART NUMBER

CB6003 CR 3 - 1 P



- PART NUMBER SUFFIX
- OPTIONAL BASEPLATE PRIMER
- THREAD RELIEF R - .070 MIN
- NUT MATERIAL - A-286 CRES, DRI-FILM LUBE
- THREAD T SIZE - .1900-32 UNJF-3B
- BASEPLATE MATERIAL - A-286 CRES
- BASIC PART NUMBER

UNLESS OTHERWISE SPECIFIED, ALL DIMENSIONS ARE IN INCHES AND TOLERANCES ARE AS SHOWN BELOW. DIMENSIONAL TOLERANCES AND SYMBOLS PER ANSI Y14.5M-1982.

PROPRIETARY PARTS SHOWN IN THIS DRAWING ARE THE SUBJECT OF ISSUED UNITED STATES AND FOREIGN PATENTS AND PATENTS PENDING. UNAUTHORIZED REPRODUCTION AND/OR DISTRIBUTION OF THIS DRAWING IS SPECIFICALLY PROHIBITED.

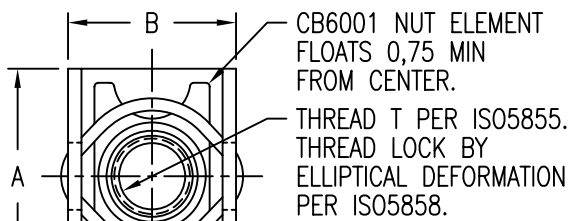


CARSON CITY
NEVADA 89706

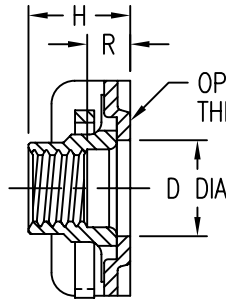
CAD CB6003-2

APPROVALS	DATE
DRAWN <i>DAC</i>	27FEB08
CHECKED <i>DAC/mtm</i>	27FEB08
RELEASED <i>CGH</i>	29FEB08
REVISED	

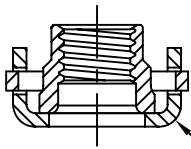
TITLE			
NUTPLATE, NO LUG, ADHESIVE BONDED			
SIZE	CAGE CODE	DWG. NO.	REV.
A	66530	CB6003	0
SCALE	2/1		27FEB08
SHEET			2 OF 4



CB6001 NUT ELEMENT
FLOATS 0,75 MIN
FROM CENTER.
THREAD T PER ISO5855.
THREAD LOCK BY
ELLIPTICAL DEFORMATION
PER ISO5858.



OPTIONAL PRIMER
THIS SURFACE.

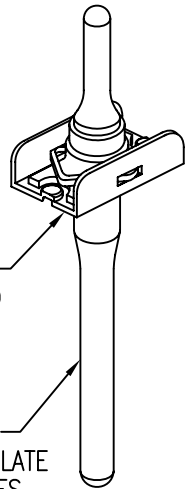


NUTPLATE MEETS THE STRENGTH
REQUIREMENTS OF ISO5858 (900 MPa).

BASEPLATE

NUTPLATE ATTACHED
BY ADHESIVE APPLIED
TO THIS SURFACE.

DISPOSABLE ELASTIC
FIXTURE HOLDS NUTPLATE
WHILE ADHESIVE CURES.



THREAD AND DIMENSION DATA (ALL DIMENSIONS BEFORE PAINT)

PART NUMBER	THREAD T	A	B MAX	D MIN	H MAX	R MIN	WEIGHT *
CB6003CR4M()1	MJ4 X 0,7 4H6H	14,5 14,1	11,6	5,50	5,2	1,6	2,3
CB6003CR5M()1	MJ5 X 0,8 4H6H	14,5 14,1	11,6	6,35	6,2	1,6	2,5
CB6003CR5M()4					8,0	4,0	2,8
CB6003CR5M()6					10,0	6,0	3,1
CB6003CR5M()8					12,0	8,0	3,4
CB6003CR5M()10					14,0	10,0	3,7
CB6003CR5M()12					16,0	12,0	4,0
CB6003CR6M()1	MJ6 X 1,0 4H5H	18,3 17,9	14,1	7,50	7,1	1,6	4,4
CB6003CR6M()4					9,0	4,0	4,9
CB6003CR6M()6					11,0	6,0	5,4
CB6003CR6M()8					13,0	8,0	5,9
CB6003CR6M()10					15,0	10,0	6,4
CB6003CR6M()12					17,0	12,0	6,9
CB6003CR8M()1	MJ8 X 1,0 4H5H	20,9 20,4	16,6	9,50	8,2	1,6	6,6
CB6003CR8M()4					11,0	4,0	7,2
CB6003CR8M()6					13,0	6,0	7,9
CB6003CR8M()8					15,0	8,0	8,5
CB6003CR8M()10					17,0	10,0	9,1
CB6003CR8M()12					19,0	12,0	9,8
CB6003CR10M()1	MJ10 X 1,25 4H5H	23,4 22,9	19,1	11,10	9,9	1,6	11,2

* APPROXIMATE WEIGHT WITHOUT INSTALLATION FIXTURE

UNLESS OTHERWISE SPECIFIED, ALL DIMENSIONS ARE IN MILLIMETERS AND TOLERANCES ARE AS SHOWN BELOW. DIMENSIONAL TOLERANCES AND SYMBOLS PER ANSI Y14.5M-1982.

PROPRIETARY PARTS SHOWN IN THIS DRAWING ARE THE SUBJECT OF ISSUED UNITED STATES AND FOREIGN PATENTS AND PATENTS PENDING. UNAUTHORIZED REPRODUCTION AND/OR DISTRIBUTION OF THIS DRAWING IS SPECIFICALLY PROHIBITED.

CLICK BOND

CARSON CITY
NEVADA 89706

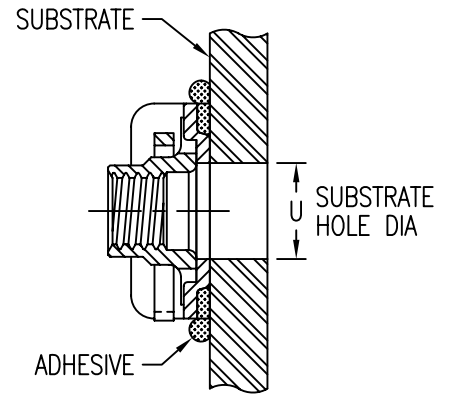
CAD CB6003-3 METRIC DIMENSIONS	
ANGLES	±1°
.X	±0,8
.XX	±0,25

APPROVALS	DATE
DRAWN <i>DAC</i>	27FEB08
CHECKED <i>DAC/mtm</i>	27FEB08
RELEASED <i>CGH</i>	29FEB08
REVISED	

TITLE NUTPLATE, NO LUG, ADHESIVE BONDED			
SIZE A	CAGE CODE 66530	DWG. NO. CB6003 (METRIC)	REV. 0
SCALE 2/1	27FEB08	SHEET 3	OF 4

INSTALLATION HOLE SIZE AND REPLACEMENT COMPONENTS

THREAD CODE	U MAX	NUT PART NO. *	CLIP PART NO.
4M	5,50	CB6001()4M1	CB6002-4M
5M	6,35	CB6001()5M()	CB6002-5M
6M	7,50	CB6001()6M()	CB6002-6M
8M	9,50	CB6001()8M()	CB6002-8M
10M	11,10	CB6001()10M1	CB6002-10M



* FIRST () DESIGNATES NUT MATERIAL CODE.

- CR = A-286 CRES, PASSIVATE, DRI-FILM LUBE.
- CRC = A-286 CRES, CAD PLATE, DRI-FILM LUBE.
- CRS = A-286 CRES, SILVER PLATE.

SECOND () DESIGNATES NUTPLATE THREAD RELIEF (NUT C'BORE) CODE.

"NL" SUFFIX TO NUT PART NO. INDICATES NON-LOCKING NUT ELEMENT.

BASEPLATE MATERIAL AND FINISH DATA

CODE	MATERIAL	SPEC.	PASSIVATE
CR	A-286 CRES	AMS 5525	AMS 2700

OPTIONAL BASEPLATE PRIMER

CODE	MATERIAL SPEC.
P	MIL-PRF-85582

NUT MATERIAL AND FINISH DATA (SEE CB6001)

CODE	MATERIAL	FINISH	SPEC.	LUBRICATION	SPEC.
NONE	A-286 CRES	PASSIVATE	AMS 2700	DRI-FILM LUBE	AS5272 TYPE 1
CRC	A-286 CRES	CAD PLATE	AMS-QQ-P-416	DRI-FILM LUBE	AS5272 TYPE 1
CRS	A-286 CRES	SILVER PLATE	AMS 2410	NONE	

CLIP MATERIAL AND FINISH DATA (SEE CB6002)

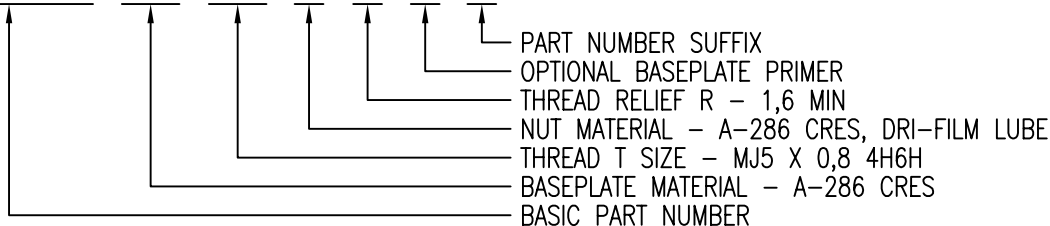
CODE	MATERIAL	FINISH
CR	302, 18-2 MN, OR UNS S24100 CRES	PASSIVATE

PART NUMBER SUFFIXES

SUFFIX	DESCRIPTION
NL	NON-LOCKING NUT ELEMENT
R	OPTIONAL HIGH REUSE NUT ELEMENT (50 REUSE CYCLES)

EXAMPLE PART NUMBER

CB6003 CR 5M 1 P



UNLESS OTHERWISE SPECIFIED, ALL DIMENSIONS ARE IN MILLIMETERS AND TOLERANCES ARE AS SHOWN BELOW. DIMENSIONAL TOLERANCES AND SYMBOLS PER ANSI Y14.5M-1982.

PROPRIETARY PARTS SHOWN IN THIS DRAWING ARE THE SUBJECT OF ISSUED UNITED STATES AND FOREIGN PATENTS AND PATENTS PENDING. UNAUTHORIZED REPRODUCTION AND/OR DISTRIBUTION OF THIS DRAWING IS SPECIFICALLY PROHIBITED.

CLICK BOND

CARSON CITY
NEVADA 89706

CAD CB6003-4 METRIC DIMENSIONS	
ANGLES	±1°
.X	±0,8
.XX	±0,25

APPROVALS	DATE
DRAWN <i>DAC</i>	27FEB08
CHECKED <i>DAC/mtm</i>	27FEB08
RELEASED <i>CGH</i>	29FEB08
REVISED	

TITLE NUTPLATE, NO LUG, ADHESIVE BONDED			
SIZE A	CAGE CODE 66530	DWG. NO. CB6003 (METRIC)	REV. 0
SCALE 2/1	27FEB08	SHEET 4	OF 4