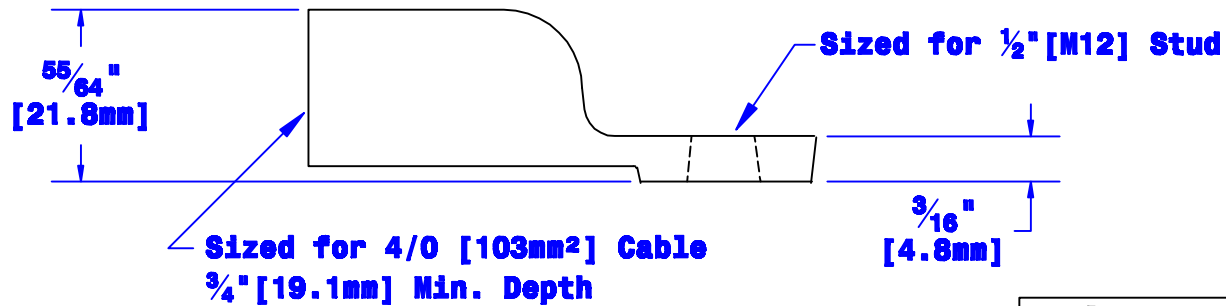
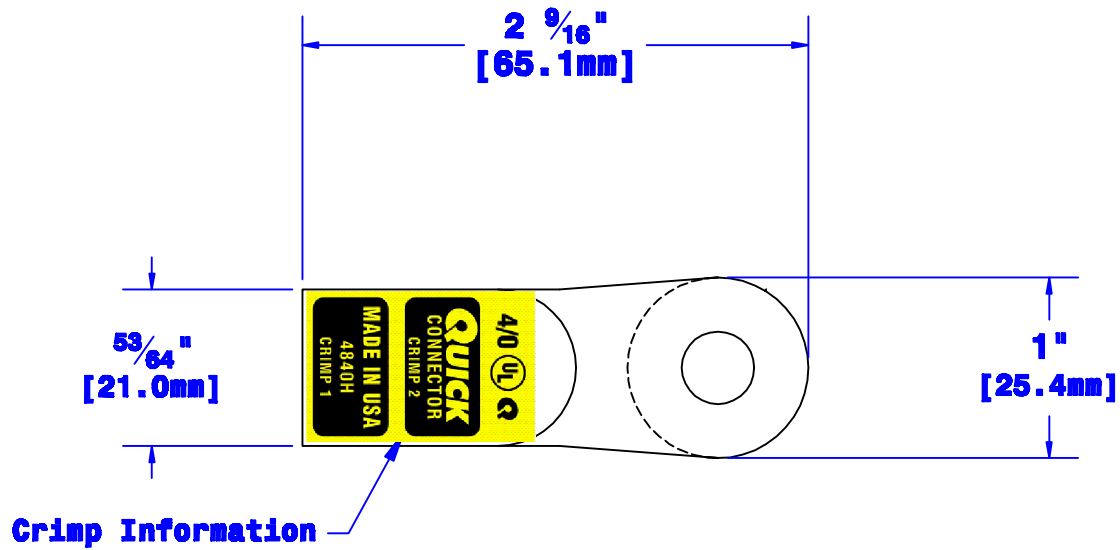


Quick Cable Reserves The Right to Alter Product Types, Their Technical Data, Dimensions, Style And Accessories Without Prior Notification.



Property of QUICKCABLE 3700 Quick Drive Franksville, WI 53126 U.S.A. www.quickcable.com	TITLE Die Cast Lug 4/0 for 1/2" Stud [103mm ²] [M12]
	PART # 4840H

Confidential and Proprietary Information

					Drawn By Paul	Date 04-15-03	Checked By Mike E	Scale None
Rev	Date	ECH#	By	Description	Tolerances, unless otherwise noted Dimensions are reference only			
C	01-24-12	2459	JMH	Redrawn; printing info updated				

Material & Treatment
 High Conductivity
 Copper Alloy
 Tin Plated

Drawing # 4840H-Info	REV C
Sheet 1 of 1	