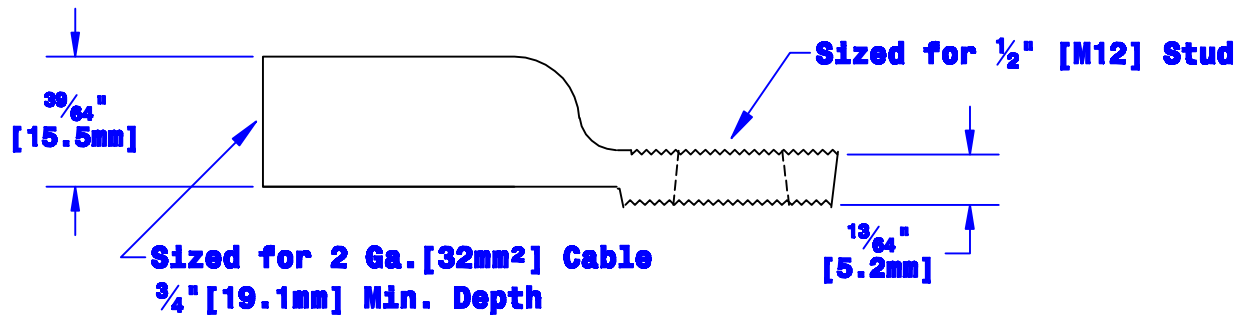
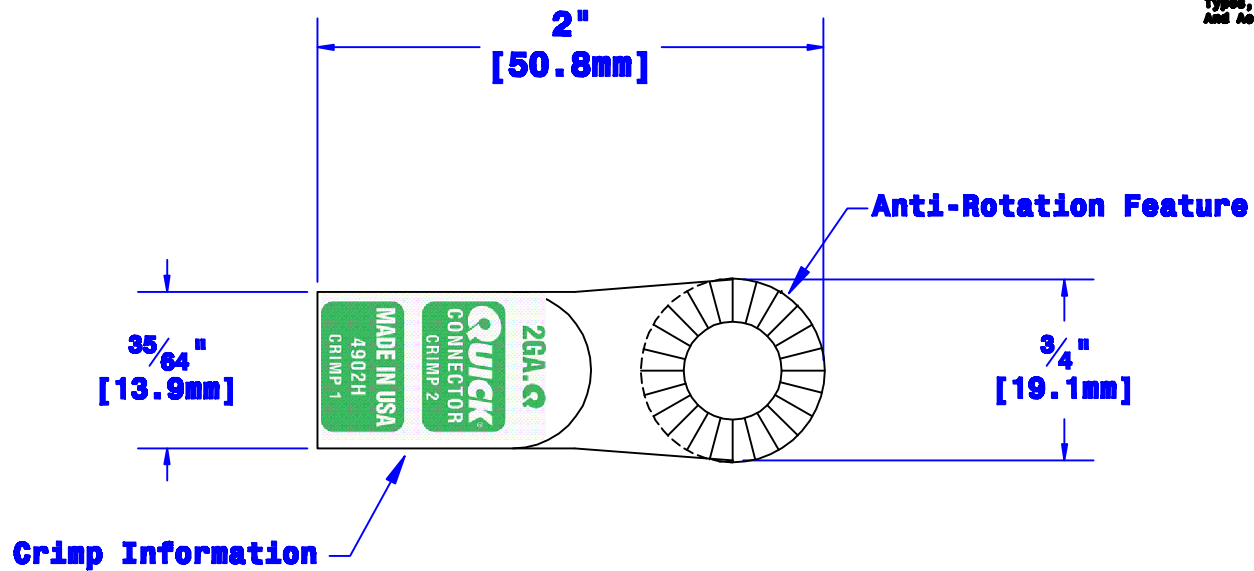


Quick Cable Reserves The Right to Alter Product Types, Their Technical Data, Dimensions, Style And Accessories Without Prior Notification.



<b>Property of</b> <b>QUICKCABLE®</b> 3700 Quick Drive Franksville, WI 53126 U.S.A. www.quickcable.com	<b>TITLE</b> Die Cast Lug 2 Ga. for 1/2" Stud [32mm <sup>2</sup> ] [M12]
	<b>PART #</b> 4902H

**Confidential and Proprietary Information**

<b>Material &amp; Treatment</b> High Conductivity Copper Alloy Tin Plated	<b>Drawing #</b> 4902H-Info Sheet 1 of 1	<b>REV</b> <b>C</b>
--	--	------------------------

					<b>Drawn By</b> Jim H	<b>Date</b> 12-28-06	<b>Checked By</b> Mike E	<b>Scale</b> None
<b>Rev</b>	<b>Date</b>	<b>ECH#</b>	<b>By</b>	<b>Description</b>	Tolerances, unless otherwise noted <b>Dimensions are reference only</b>			
<b>C</b>	01-24-12	2450	JMH	Redrawn; printing info updated				