

BASE ATTACHED BY ADHESIVE APPLIED TO THIS SURFACE.
INTERNAL PRESSURE-SENSITIVE ADHESIVE FIXTURE HOLDS BASE WHILE ADHESIVE CURES.

DIMENSION DATA

SIZE	A	B
1A	1.37	.79
2	1.60	1.02
3	1.92	1.30
4	2.31	1.57
5	2.75	2.05
6	3.41	2.60
7	4.75	3.70
8	5.78	4.72

BASE MATERIAL DATA

CODE	MATERIAL
CRM	316 CRES

THREAD DATA

CODE	THREAD SIZE	SPEC.	THREAD I.D.
420	.250-20 UNC-2B	ASME B1.1	U

EXAMPLE PART NUMBER

CB4595 CRM 420-1A P

↑ BASEPLATE PRIMER
↑ SIZE (STAUFF GROUP)
↑ THREAD SIZE - .250-20 UNC-2B
↑ BASE MATERIAL - 316 CRES
↑ BASIC PART NUMBER

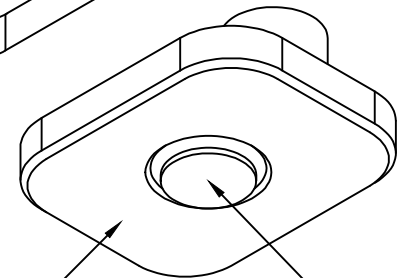
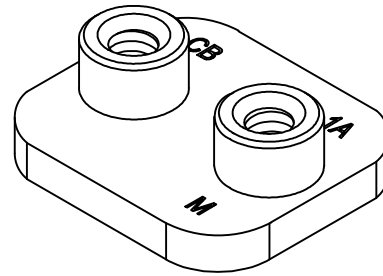
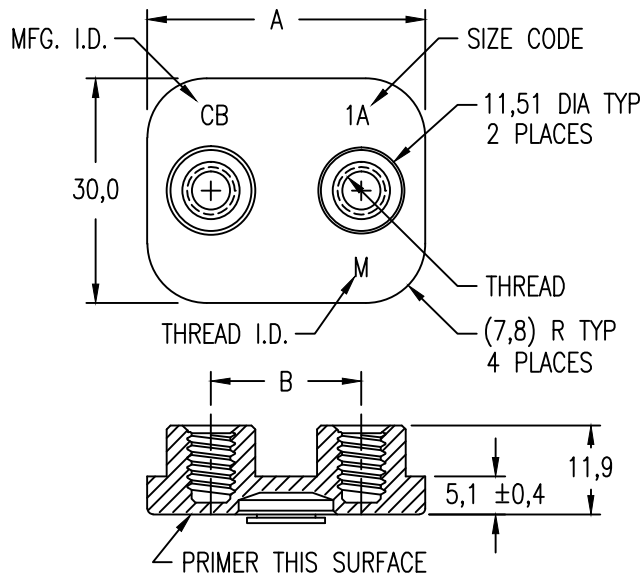
UNLESS OTHERWISE SPECIFIED, ALL DIMENSIONS ARE IN INCHES AND TOLERANCES ARE AS SHOWN BELOW. DIMENSIONAL TOLERANCES AND SYMBOLS PER ANSI Y14.5M-1982.

PROPRIETARY PARTS SHOWN IN THIS DRAWING ARE THE SUBJECT OF ISSUED UNITED STATES AND FOREIGN PATENTS AND PATENTS PENDING. UNAUTHORIZED REPRODUCTION AND/OR DISTRIBUTION OF THIS DRAWING IS SPECIFICALLY PROHIBITED.



CARSON CITY
NEVADA 89706

CAD CB4595-1		APPROVALS	DATE	TITLE			
ANGLES	±1°	DRAWN DAC	30JAN15	BASE, MOUNTING, ADHESIVE BONDED			
.XX	±.03	CHECKED DAC	6NOV15	SIZE	CAGE CODE	DWG. NO.	REV.
.XXX	±.010	RELEASED DAC	6NOV15	A	66530	CB4595	5
.XXXX	±.001	REVISED GTP	6NOV15	SCALE	1/1	6NOV15	SHEET 1 OF 2



BASE ATTACHED BY ADHESIVE APPLIED TO THIS SURFACE.

INTERNAL PRESSURE-SENSITIVE ADHESIVE FIXTURE HOLDS BASE WHILE ADHESIVE CURES.

DIMENSION DATA

SIZE	A	B
1A	34,8	20,0
2	40,6	26,0
3	48,8	33,0
4	58,7	40,0
5	69,9	52,0
6	86,6	66,0
7	120,7	94,0
8	146,8	120,0

BASE MATERIAL DATA

CODE	MATERIAL
CRM	316 CRES

THREAD DATA

CODE	THREAD SIZE	SPEC.	THREAD I.D.
6M	M6 X 1,0 6H	ASME B1.13M	M

EXAMPLE PART NUMBER

CB4595 CRM 6M 1A P

BASEPLATE PRIMER
 SIZE (STAUFF GROUP)
 THREAD SIZE - M6 X 1,0 6H
 BASE MATERIAL - 316 CRES
 BASIC PART NUMBER

UNLESS OTHERWISE SPECIFIED, ALL DIMENSIONS ARE IN MILLIMETERS AND TOLERANCES ARE AS SHOWN BELOW. DIMENSIONAL TOLERANCES AND SYMBOLS PER ANSI Y14.5M-1982.

PROPRIETARY PARTS SHOWN IN THIS DRAWING ARE THE SUBJECT OF ISSUED UNITED STATES AND FOREIGN PATENTS AND PATENTS PENDING. UNAUTHORIZED REPRODUCTION AND/OR DISTRIBUTION OF THIS DRAWING IS SPECIFICALLY PROHIBITED.



CARSON CITY
 NEVADA 89706

CAD CB4595-2 METRIC DIMENSIONS	
ANGLES	±1°
.X	±0,8
.XX	±0,25

APPROVALS	DATE
DRAWN DAC	30JAN15
CHECKED DAC	6NOV15
RELEASED DAC	6NOV15
REVISED GTP	6NOV15

TITLE			
BASE, MOUNTING, ADHESIVE BONDED			
SIZE	CAGE CODE	DWG. NO.	REV.
A	66530	CB4595 (METRIC)	5
SCALE	1/1	6NOV15	SHEET 2 OF 2