

MATERIAL AND FINISH DATA

CODE	MATERIAL	FINISH
CRM	316 CRES	PASSIVATE

LENGTH L DATA

CODE	6	8	16
L	1.50	2.00	4.00

EXAMPLE PART NUMBER

CS922 CRM 10 P 8

LENGTH L - 2.00
 EPOXY PRIMER ON BASEPLATE
 THREAD SIZE - 5/8-11 UNC-2A
 MATERIAL - 316 CRES
 BASIC PART NUMBER

UNLESS OTHERWISE SPECIFIED, ALL DIMENSIONS ARE IN INCHES AND TOLERANCES ARE AS SHOWN BELOW. DIMENSIONAL TOLERANCES AND SYMBOLS PER ANSI Y14.5M-1982.

PROPRIETARY PARTS SHOWN IN THIS DRAWING ARE THE SUBJECT OF ISSUED UNITED STATES AND FOREIGN PATENTS AND PATENTS PENDING. UNAUTHORIZED REPRODUCTION AND/OR DISTRIBUTION OF THIS DRAWING IS SPECIFICALLY PROHIBITED.

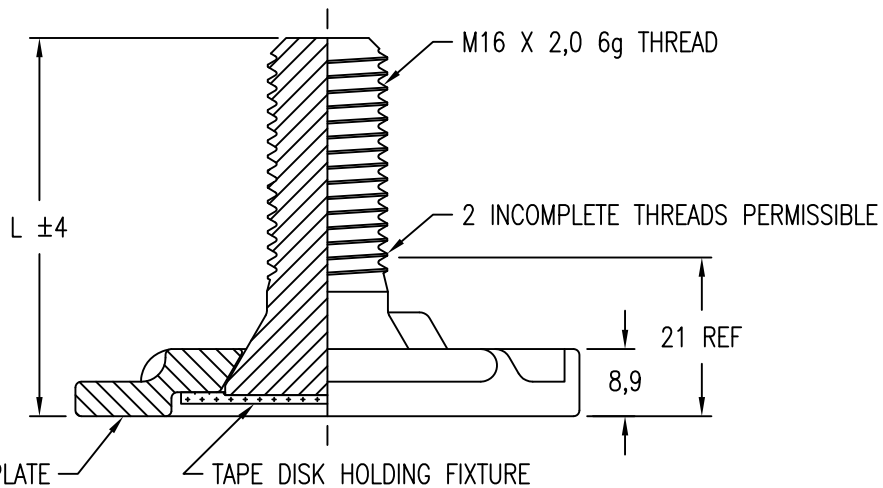
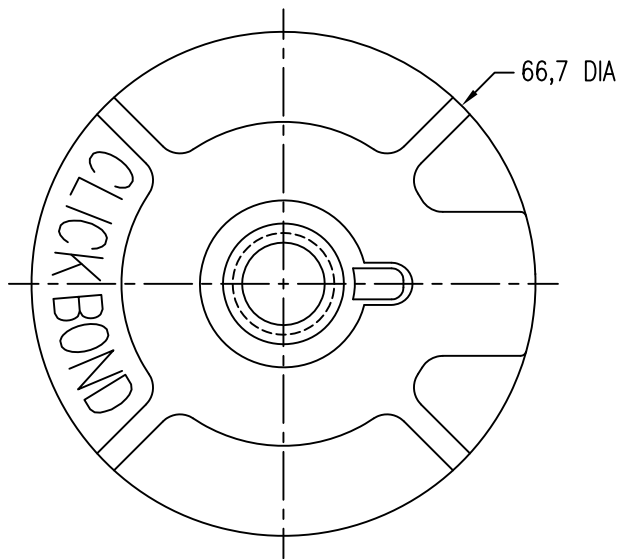
CLICK BOND

CARSON CITY
 NEVADA 89706

CAD CS922-1

APPROVALS	DATE
DRAWN <i>DAC</i>	25MAR13
CHECKED <i>DAC</i>	25MAR13
RELEASED <i>ABC</i>	25MAR13
REVISED <i>DAC</i>	25MAR13

TITLE			
STUD, ADHESIVE BONDED, SELF FIXTURING			
SIZE	CAGE CODE	DWG. NO.	REV.
A	66530	CS922	2
SCALE	25MAR13		SHEET 1 OF 2



EPOXY PRIMER ON BASEPLATE

TAPE DISK HOLDING FIXTURE

MATERIAL AND FINISH DATA

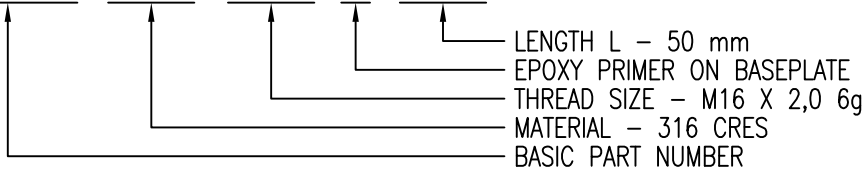
CODE	MATERIAL	FINISH
CRM	316 CRES	PASSIVATE

LENGTH L DATA

CODE	40M	50M	75M	100M
L	40	50	75	100

EXAMPLE PART NUMBER

CS922 CRM 16M P 50M



UNLESS OTHERWISE SPECIFIED, ALL DIMENSIONS ARE IN MILLIMETERS AND TOLERANCES ARE AS SHOWN BELOW. DIMENSIONAL TOLERANCES AND SYMBOLS PER ANSI Y14.5M-1982.

PROPRIETARY PARTS SHOWN IN THIS DRAWING ARE THE SUBJECT OF ISSUED UNITED STATES AND FOREIGN PATENTS AND PATENTS PENDING. UNAUTHORIZED REPRODUCTION AND/OR DISTRIBUTION OF THIS DRAWING IS SPECIFICALLY PROHIBITED.

CLICK BOND

CARSON CITY
NEVADA 89706

CAD CS922-2
METRIC DIMENSIONS

APPROVALS	DATE
DRAWN <i>DAC</i>	25MAR13
CHECKED <i>DAC</i>	25MAR13
RELEASED <i>ABC</i>	25MAR13
REVISED <i>DAC</i>	25MAR13

TITLE
STUD, ADHESIVE BONDED, SELF FIXTURING

ANGLES	±1°
.X	±0,8
.XX	±0,25

SIZE	CAGE CODE	DWG. NO.	REV.
A	66530	CS922 (METRIC)	2
SCALE	1/1	25MAR13	SHEET 2 OF 2