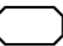
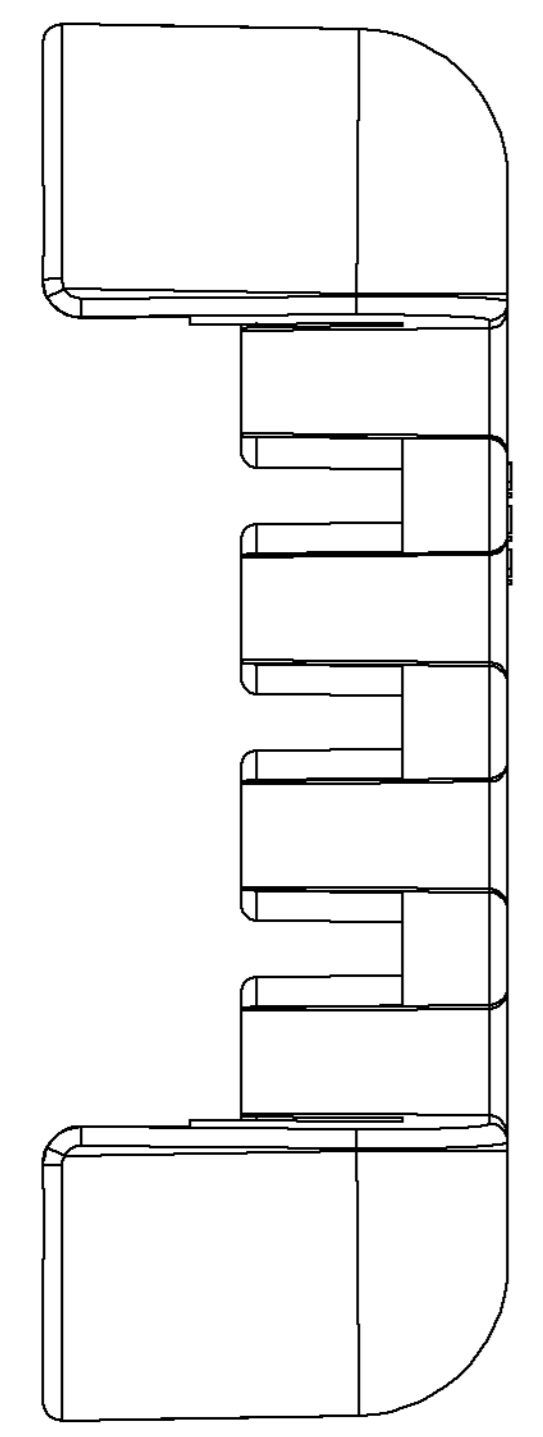
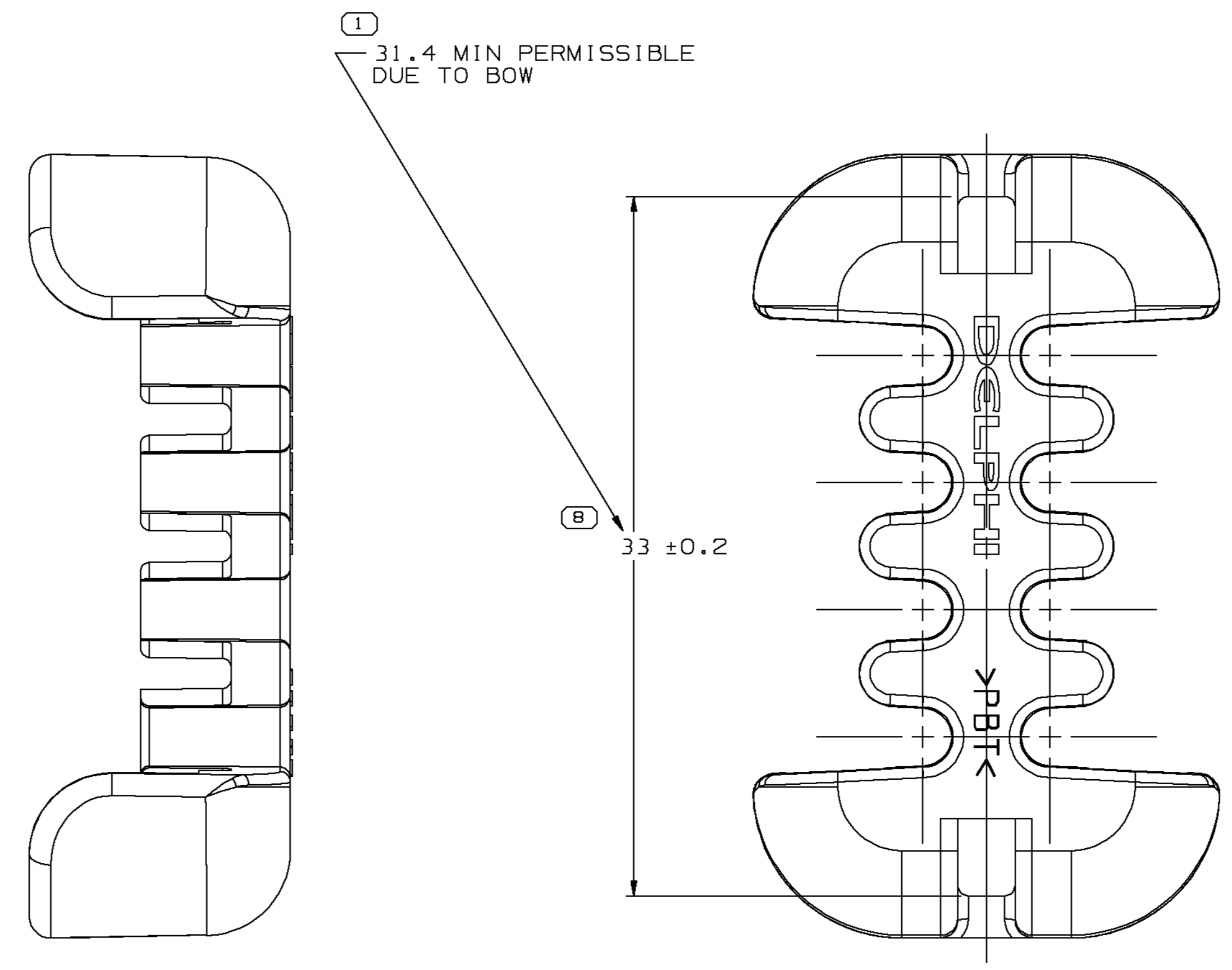
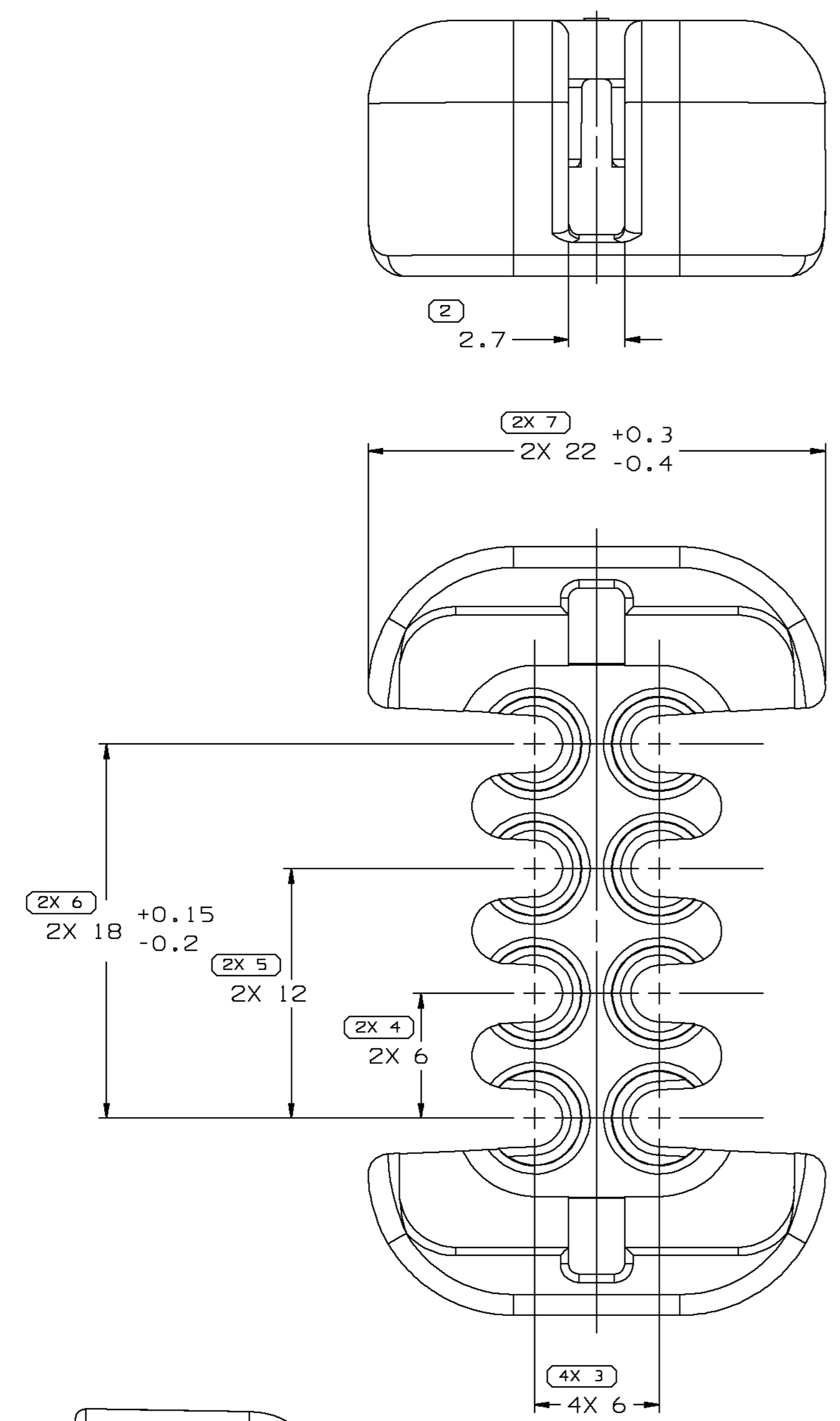


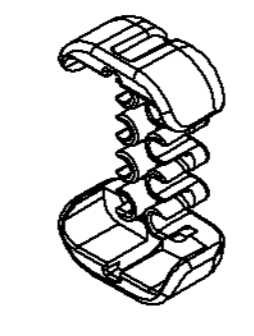
SYMBOL DEFINITION		TOTAL NO OF INSPECTIONS REQUIRED	15
A DIMENSION WITHOUT AN INSPECTION REPORT SYMBOL  DOES NOT REQUIRE INSPECTION. IT MAY BE CONTROLLED ON THE INDIVIDUAL COMPONENT DRAWING.		LAST NO. USED	9

MISSING SYMBOLS		DWG STATUS					ZONE	REVISION HISTORY		AUTH	DR	APVD1	APVD2
DATE	STG	REV	N/P	CHG									
11SE02	R	06	-	-				REVISED GRAPHICS	229202	JGR	EOV	AM	
21FE03	R	06	AA	-				UPDATED PDM ATTRIBUTES	237257	KGP	KGP	AM	
13AU03	R	06	AB	-				UPDATED PDM ATTRIBUTES	237748	AFM	EAR	GM	
200C03	R	06	AC	-				ADDED RADI1 TO PREFERRED CONSTRUCTION (4 PLCS)	247647	JYD	EOV	ET	

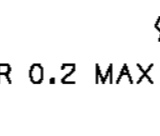





NOTES

- UNLESS OTHERWISE SPECIFIED AND/OR INDICATED: DIMENSIONS ARE TO FACE OF VIEW SHOWN AND AUTOMATICALLY ROUNDED BY COMPUTER FOR INSPECTION (SEE MATH MODEL FOR PRECISE DIMENSIONS). FOR ALL OTHER DIMENSIONS NOT SHOWN BUT REQUIRED FOR TOOL BUILD, SEE MATH MODEL FOR PRECISE TOOL PATH DATA.
- MATERIAL RECYCLING CODE >PBT< PER SAE J1344. (2.3)X(0.1) RAISED CHARACTERS AS SHOWN TO BE LOCATED ON ANY EXTERIOR SURFACE. OPTIONAL CONSTRUCTION TO BE NO MATERIAL RECYCLING CODE.
- THIS PART IS NOT CONTROLLED FOR AUTOMATIC FEEDING.
- MATING COMPONENTS OR EQUIVALENT: CONNECTOR 12047931, 12047933, 12052480, 12052601, AND 12103919.
- (2.3)X(0.1) RAISED DELPHI CORPORATE BRAND TO BE LOCATED ON ANY EXTERIOR SURFACE, PREFERABLY VISIBLE AT FINAL ASSEMBLY. OPTIONAL CONSTRUCTION TO BE "PED" OR NO LOGO.
- MAX. CABLE DIAMETER THAT WILL FIT PART IS 2.31 DIA.



OPTIONAL CONSTRUCTION

 SHARP CORNER TOLERANCE  R 0.1 MAX  R 0.2 MAX	DIMENSIONAL RANGE (MM)		CHART E1		
	FROM	TO	TOLERANCE UNLESS OTHERWISE SPECIFIED	FROM	TO
	>0	>20	±0.15	>0	>20
	>20	>30	±0.2	>20	>30
	>30	>70	±0.3	>20	>300
	>70	>100	±0.4	>250	>400
	>100	>150	±0.5	>300	>400
	>150	>200	±0.6		
	>200	>250	±0.8		
	>250	>300	±1		
	>300	>400	±1.2		
	ANGULAR TOLERANCE ±2°				

DWG TYPE		PART DRAWING	
STYLE			
VOLUME (CM ³)	2.516	DISTR CODE	D
ROUTING	6900		
UNLESS OTHERWISE SPECIFIED			
THIS DOCUMENT IS IN ACCORDANCE WITH ASME Y14.5M-1994 AS AMENDED BY THE GM GLOBAL DIMENSIONING AND TOLERANCING ADDENDUM - 1997. ALL GEOMETRIC TOLERANCES AND RELATED DATUMS APPLY PER'S. RULE #1 PERFECT FORM AT MMC DOES NOT APPLY WHEN RELATIONSHIP BETWEEN FEATURES IS ESTABLISHED BY ORIENTATION OR LOCATION TOLERANCES. SEPARATE POSITION CALLOUTS MAY BE GAGED SEPARATELY, REGARDLESS OF DATUM REFERENCE. ALL DIMENSIONS ARE IN MILLIMETERS			
THIRD ANGLE PROJECTION		DO NOT SCALE	
USE MATH DATA			

DELPHI			
DELPHI PACKARD ELECTRIC SYSTEMS WARREN, OH			
DR		DATE	
APVD1	O.GOMEZ	03MY02	
APVD2	R.HERMOSILLO	06MY02	
APVD3	E.TRACEY	07MY02	
APVD4			
APVD5			
SUBSTANCES OF CONCERN AND RECYCLED CONTENT PER DELPHI 10949001			
MATERIAL			
M4695002 PBT BLK			
DRAWING NAME			
LOCK TPA M/P 150 B BLK			
DRAWING NUMBER			
12047936			
SIZE	SCALE	FRAME NO	SHEET NO
A1	5:1	1 OF 1	1 OF 1
STG	REV	N/P	AC
R	06		