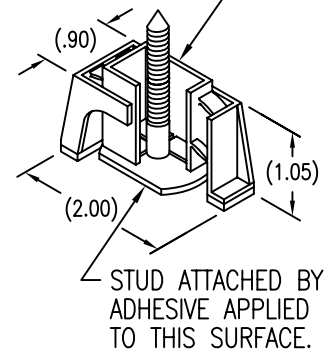


DISPOSABLE PRESSURE SENSITIVE ADHESIVE FIXTURE HOLDS STUD WHILE ADHESIVE CURES.

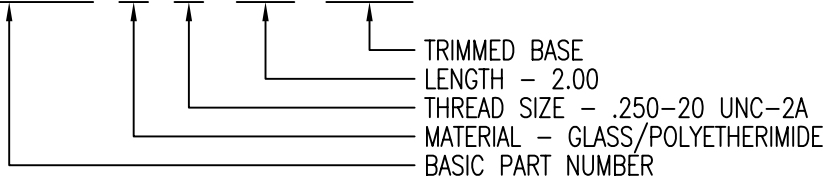


STUD MATERIAL DATA

CODE	MATERIAL	SPEC.
V	GLASS/POLYETHERIMIDE	ULTEM 2400 OR EQUAL

EXAMPLE PART NUMBER

CB1922 V 4-32-750



UNLESS OTHERWISE SPECIFIED, ALL DIMENSIONS ARE IN INCHES AND TOLERANCES ARE AS SHOWN BELOW. DIMENSIONAL TOLERANCES AND SYMBOLS PER ANSI Y14.5M-1982.

PROPRIETARY PARTS SHOWN IN THIS DRAWING ARE THE SUBJECT OF ISSUED UNITED STATES AND FOREIGN PATENTS AND PATENTS PENDING. UNAUTHORIZED REPRODUCTION AND/OR DISTRIBUTION OF THIS DRAWING IS SPECIFICALLY PROHIBITED.

CLICK BOND

CARSON CITY
NEVADA 89706

		APPROVALS	DATE
ANGLES	±1°	DRAWN BPEREZ	18JUL07
.XX	±.03	CHECKED BMadson	18JUL07
.XXX	±.010	RELEASED CGH	18JUL07
.XXXX	±.001	REVISED BPEREZ	18JUL07

TITLE			
STUD, COMPOSITE, ADHESIVE BONDED			
SIZE	CAGE CODE	DWG. NO.	REV.
A	66530	CB1922	1
SCALE	1/1	18JUL07	SHEET 1 OF 1