

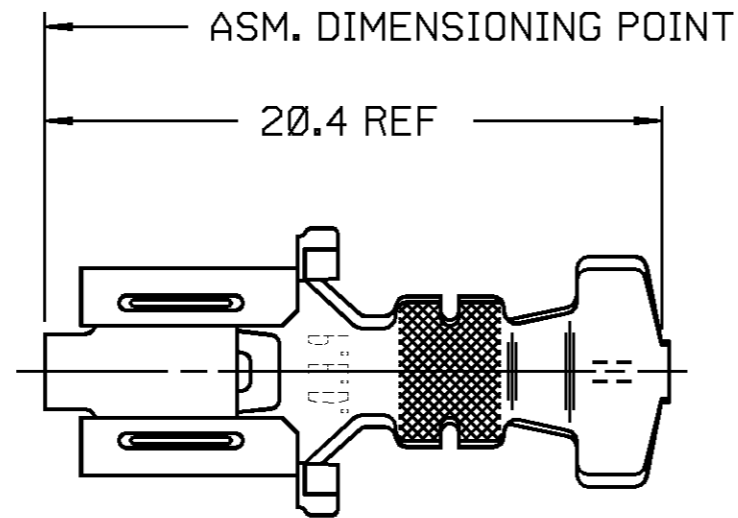
D

THIS DRAWING AND DESIGN HEREON CONSTITUTES A PROPRIETARY DESIGN OF PACKARD ELECTRIC DIVISION AND IS NOT TO BE DUPLICATED OR REPRODUCED WITHOUT AUTHORITY OF PACKARD ELECTRIC DIVISION.

DO NOT SCALE

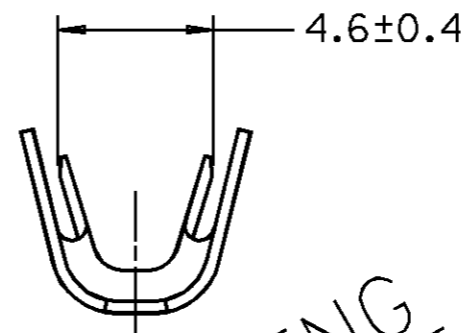
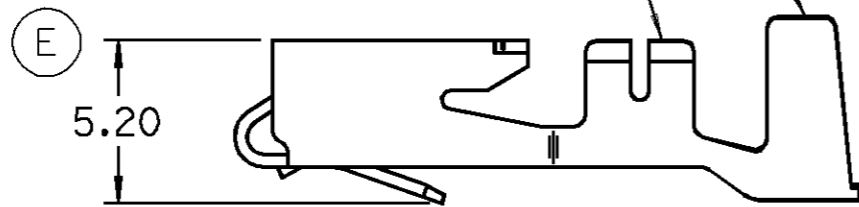
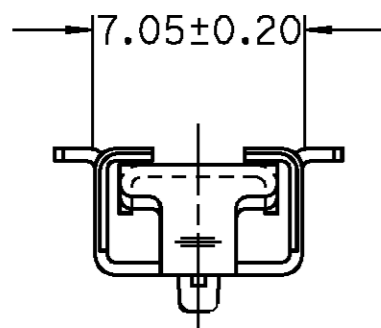
PACKARD ELECTRIC DIVISION  
GENERAL MOTORS CORPORATION  
WARREN, OHIO

PART NO.  
1208 4588



INSULATION WINGS FOR  
5.24 MM MAX. INSUL. DIA.

CONDUCTOR WINGS FOR  
5.0-3.0 MM CABLE



**WARNING**  
GEOMETRY MAY NOT BE  
DRAWN TO SCALE

DATE	SYM	REVISION RECORD	AUTHORITY	DR	CK
18JL88	B	REDRAWN & REVISED	120124	AL	
18JL88	C	PICTURE REVISED	120125	AL	
18JL88	D	PICTURE REVISED	120126	AL	
30JN93	E	REVISED GRAPHICS - 5.20 WAS 5.40	154898	RLB	BKD

**PED/IRGRAPH**  
EMS

FILE SPEC: \*\*\*\*USER\*\*\*\*  
DGN#SPECIFICATION\*\*\*\*\*  
\*\*\*\*\*SYTIME\*\*\*\*\*

THIRD ANGLE PROJECTION

**METRIC**  
DIMENSIONS ARE IN MILLIMETERS  
UNLESS OTHERWISE SPECIFIED.

CODE NO.	6900	TOLERANCE UNLESS OTHERWISE SPECIFIED
Q.C.		DECIMAL: ONE PLACE ± 0.3 TWO PLACE ± 0.15
DWG. DATE	30MR88	SCALE NONE
DR.	J. HOUGELMAN	30MR88
EST. NO.		CK. T. MUDREY
REFERENCE NO.	SHEET #2	DATE 11AP88
12015135 "D" SIZE		APPR. G. SMALDINO
		DATE 13AP88
MATERIAL SPEC.	0.406 THK. TIN BRASS-TIN PLATED	
NAME	TERM F M/P 630 SPL	
PART NO.	1208 4588	SIZE B
	OUTLINE DRAWING	