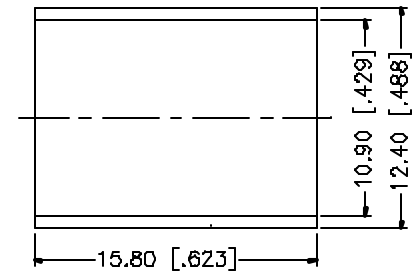
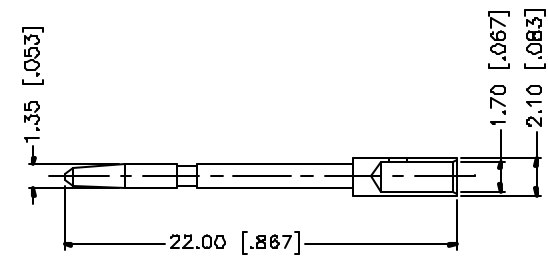
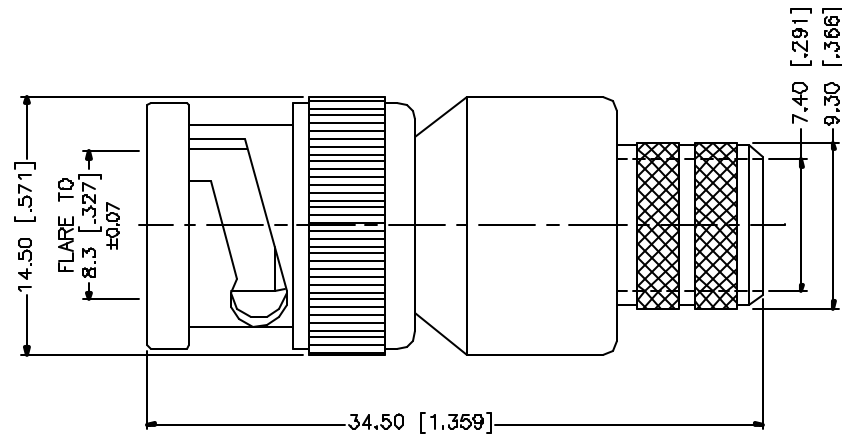
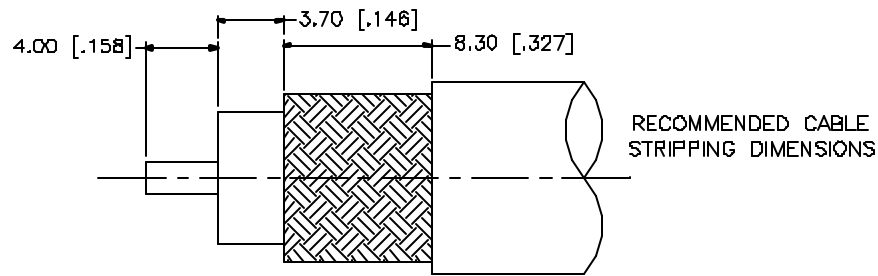


REV.	DATE	DESCRIPTION
A	08/15/04	UPDATE DRAWING FORMAT/MODIFY CONTACT PIN



CRIMP NOTES:

1. CRIMPED FERRULE
HEX CRIMP SIZE .429"
2. CRIMPED CONTACT PIN
HEX CRIMP SIZE .068"

8				
7				
6				
5				
4	FERRULE	COPPER	NICKEL	1
3	CONTACT PIN	BRASS	GOLD	1
2	INSULATOR	TEFLON	NATURAL	1
1	BODY	BRASS	NICKEL	1
	DESCRIPTION	MATERIAL	FINISH	QTY

UNLESS OTHERWISE SPECIFIED DIMENSIONS ARE IN MILLIMETERS (DIMENSIONS IN [] ARE IN INCHES AND FOR CUSTOMER REFERENCE ONLY.)

UNLESS OTHERWISE SPECIFIED TOLERANCES FOR MILLIMETERS ARE:
 0.5 - 8mm ± 0.20mm
 8 - 30mm ± 0.40mm
 30 - 120mm ± 0.50mm

UNLESS OTHERWISE SPECIFIED TOLERANCES FOR INCHES ARE:
 .020 - .315 = ± 0.007"
 .315 - 1.180 = ± 0.015"
 1.180 - 4.724 = ± 0.020"

DO NOT SCALE DRAWING

APPROVALS	DATE
DRAWN G.R.S.	08/15/04
CHECKED	
ISSUED	
SHEET 1 OF 1	
CAD FILE	C:/112/112576.DWG

Amphenol Connex

PART DESCRIPTION			
BNC CRIMP PLUG (FOR BELDEN 8213, 9230, 9292, 9011)			
PART NO.			
112576			
DWG. NO.	112576.DWG	REV.	A
BZE	A	SCALE	NA