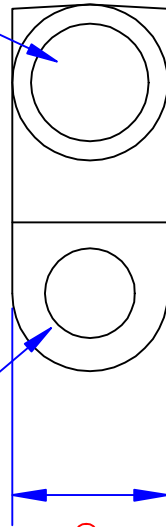


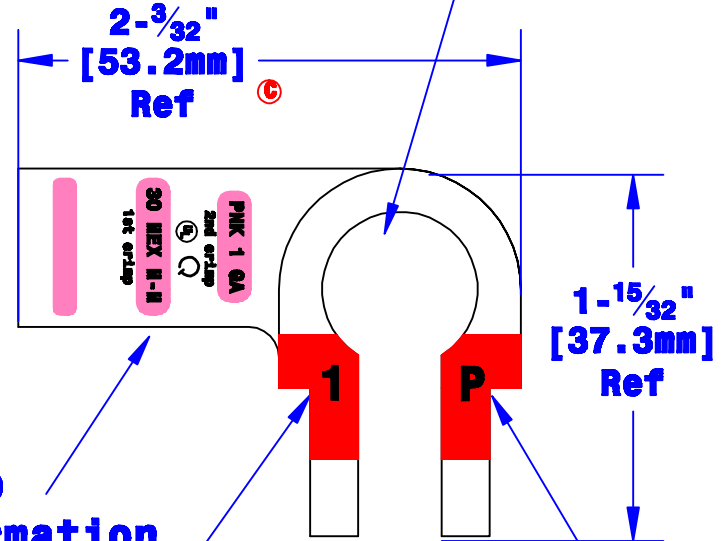
I.D. sized for
1 Ga [40mm²] stranded
cable, 7/8" [22.2mm]
min depth



41/64"
[16.3mm]
Ref

Bolt hole sized
for 5/16" [M8] bolt

Sized for Pos. Post
per SAE J537



Crimp
information

Cable size
stamp

Polarity
stamp

| | | |
|--|---|-----------------|
| Property of QUICK CABLE 3700 Quick Drive Franksville, WI 53126 U.S.A. www.quickcable.com | TITLE DieCast 1 Ga. [40mm²] Right Elbow | |
| | PART # 4101P | |
| Confidential and Proprietary Information | | |
| Material & Treatment High Conductivity Copper Alloy Matte Tin Plated | Drawing # 4101P-Info | REV C |
| | Sheet 1 of 1 | |

| Rev | Date | ECN# | By | Description |
|-----|---------|------|-------|--|
| C | 4-17-08 | 1743 | KDA | Was Max |
| B | 6-12-06 | 1290 | JMH | Added printing to tange |
| A | 3-5-04 | 698 | Jim H | Added Pltg. & Tol. spec. & length change |

| | | | |
|---|----------------|--------------|-------------|
| Drawn By | Date | Checked By | Scale |
| Paul | 4/15/03 | Roger | None |
| Tolerances, unless otherwise noted Dimensions for reference only | | | |