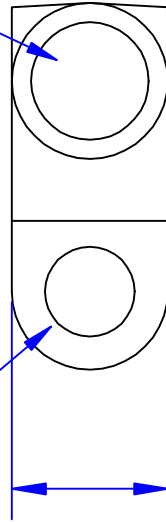


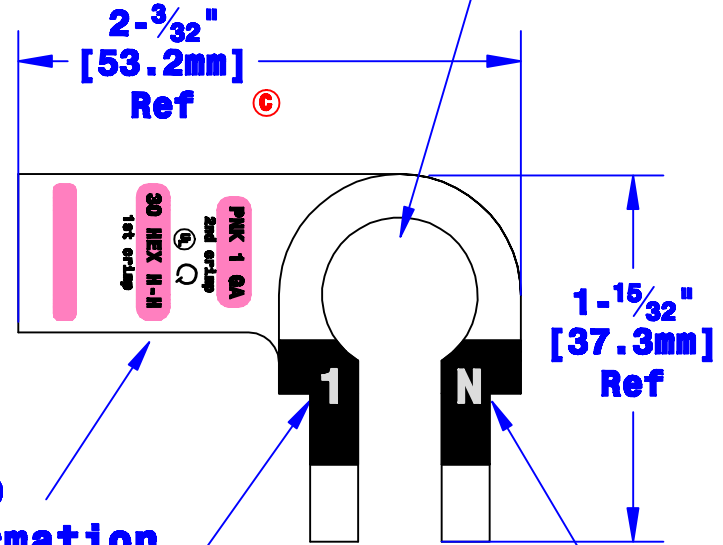
I.D. sized for  
1 Ga [40mm<sup>2</sup>] stranded  
cable, 7/8" [22.2mm]  
min depth



4 1/64"  
[16.3mm]  
Ref

Bolt hole sized  
for 5/16" [M8] bolt

Sized for Neg. Post  
per SAE J537



Crimp  
information

Cable size  
stamp

Polarity  
stamp

Property of <b>QUICK CABLE</b> 3700 Quick Drive Franksville, WI 53126 U.S.A. www.quickcable.com	TITLE <b>DieCast 1 Ga. [40mm<sup>2</sup>]</b> <b>Right Elbow</b>	
	PART # <b>4101N</b>	
<b>Confidential and Proprietary Information</b>		
Material & Treatment High Conductivity Copper Alloy Matte Tin Plated	Drawing # <b>4101N-Info</b>	REV <b>C</b>
	Sheet 1 of 1	

Rev	Date	ECN#	By	Description
C	4-17-08	1743	KDA	Was Max
B	6-12-06	1290	JMH	Added printing to tangs
A	3-5-04	698	Jim H	Added Pltg. & Tol. spec. & length change

Drawn By <b>Paul</b>	Date <b>4/15/03</b>	Checked By <b>Roger</b>	Scale <b>None</b>
Tolerances, unless otherwise noted Dimensions for reference only			