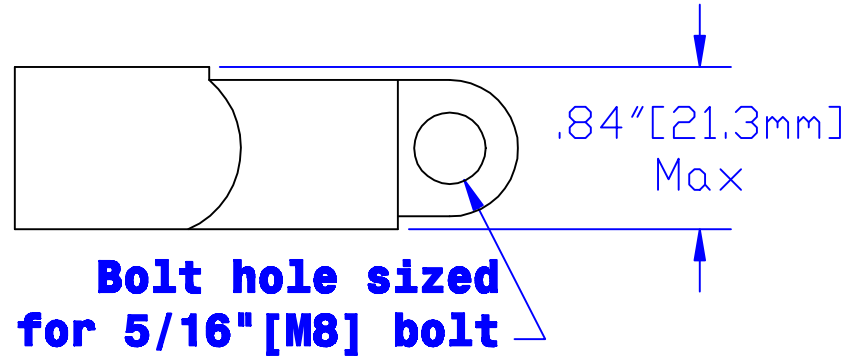


**I.D. sized for 250 MCM
[126mm²] stranded cable
7/8" [22.2mm] min depth**



Rev	Date	ECN#	By	Description
B	5-25-06	1285	JMH	Added color printing to tangs
A	9-27-04	817	JMH	Change Max. length dim.

Drawn By Paul	Date 4-15-03	Checked By Roger	Scale None
Tolerances, unless otherwise noted			
Dimensions are reference only			

Property of QUICK CABLE		TITLE Straight clamp	
3700 Quick Dr., Franksville WI Materials & Treatment		PART # 4060P	
High Conductivity Copper Alloy Matte Tin Plate		Drawing # 4060P-Info	REV B
		Sheet 1	of 1