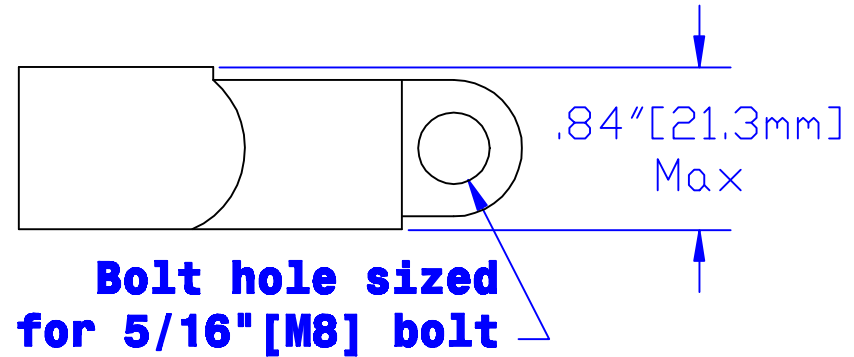


**I.D.sized for 250 MCM
[126mm²]stranded cable
7/8" [22.2mm]min depth**



**Bolt hole sized
for 5/16" [M8] bolt**

Rev	Date	ECN#	By	Description
B	5-25-06	1285	JMH	Added color printing to tange
A	9-27-04	817	JMH	Change Max. length dim.

Drawn By Paul	Date 4-15-03	Checked By Roger	Scale None
Tolerances, unless otherwise noted			
Dimensions are reference only			

Property of QUICK CABLE 3700 Quick Dr. Franksville WI	TITLE Straight clamp	
	PART # 4060N	
Material & Treatment High Conductivity Copper Alloy Matte Tin Plated	Drawing # 4060N-Info	REV B
	Sheet 1 of 1	