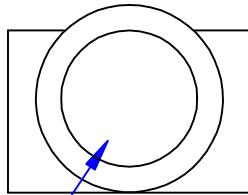
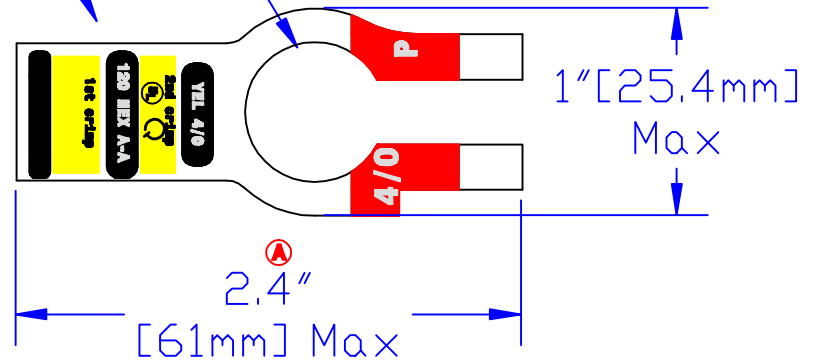
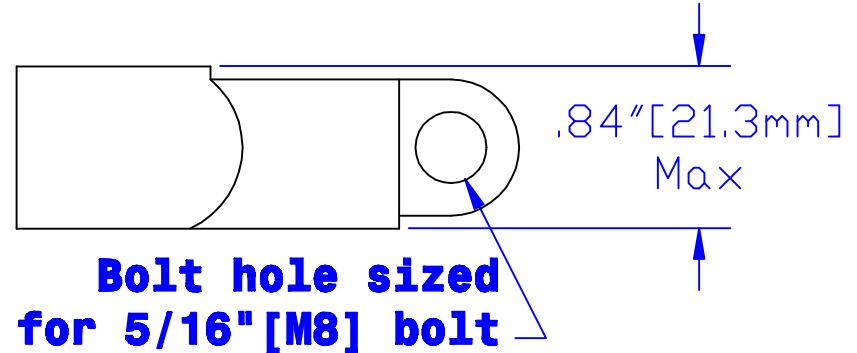


Pos post hole
Crimp information



**I.D. sized for 4/0
 [103mm²]stranded cable
 7/8" [22.2mm]min depth**



**Bolt hole sized
 for 5/16" [M8] bolt**

Rev	Date	ECN#	By	Description
B	5-25-06	1285	JMH	Added color printing to tangs
A	9-27-04	817	JMH	Change Max. length dia.

Drawn By Paul	Date 4-15-03	Checked By Roger	Scale None
Tolerances, unless otherwise noted			
Dimensions are reference only			

Property of QUICK CABLE <small>3709 Quick Dr. Franksville WI</small> Material & Treatment High Conductivity Copper Alloy Matte Tin Plate	TITLE Straight clamp	
	PART # 4040P	
	Drawing # 4040P-Info	REV B
Sheet 1 of 1		