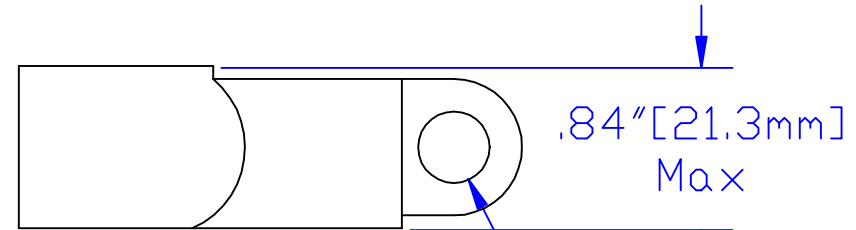
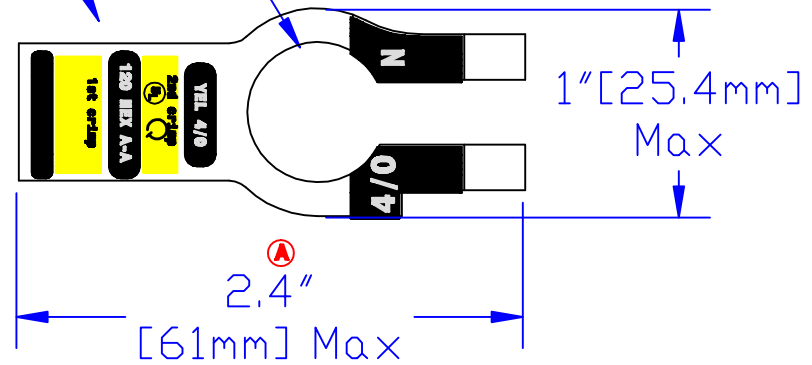
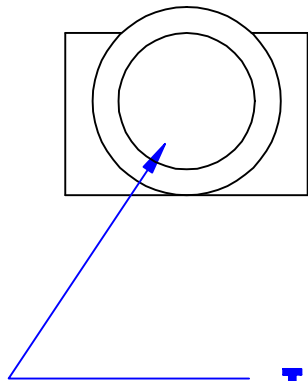


Neg post hole
Crimp information



**Bolt hole sized
 for 5/16" [M8] bolt**



**I.D. sized for 4/0
 [103mm²]stranded cable
 7/8" [22.2mm]min depth**

Property of QUICK CABLE		TITLE Straight clamp	
		PART # 4040N	
3700 Quick Dr. Franksville WI		Drawing #	REV
Material & Treatment High Conductivity Copper Alloy Matte Tin Plated		4040N-Info	B
		Sheet 1 of 1	

Rev	Date	ECN#	By	Description	Drawn By	Date	Checked By	Scale
B	5-25-06	1285	JMH	Added color printing to tange	Paul	4-15-03	Roger	None
A	9-27-04	817	JMH	Change Max. length dim.	Tolerances, unless otherwise noted			
					Dimensions are reference only			