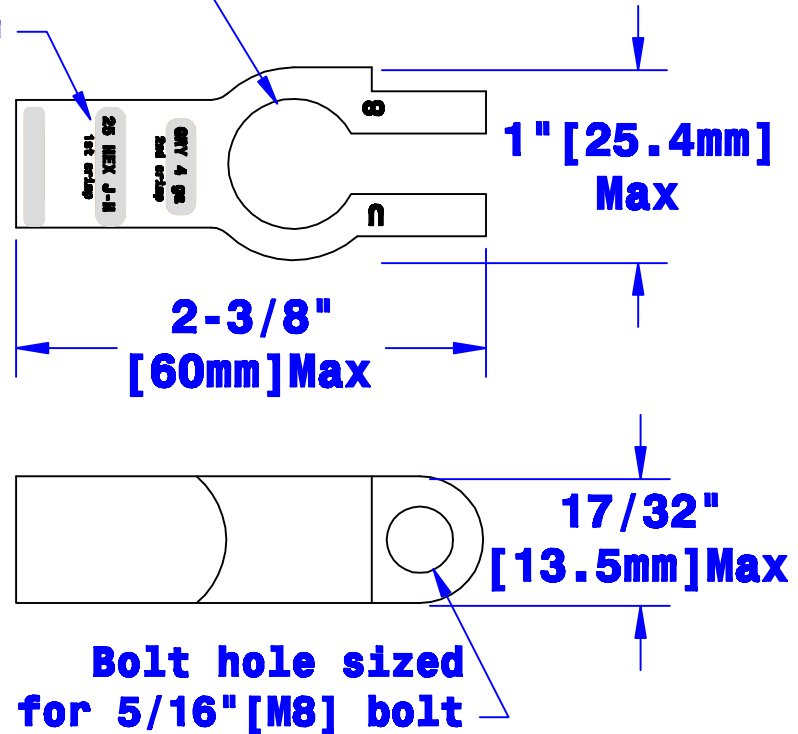
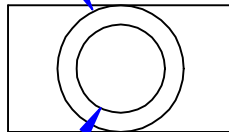


**Universal post hole**  
**Crimp information**

**7/16"**  
**[11.1mm]**  
**Dia REF**



**I.D. sized for 8 ga**  
**[8mm<sup>2</sup>]stranded cable**  
**7/8" [22.2mm]min depth**

Property of		TITLE <b>Straight clamp</b>	
<b>QUICK CABLE</b>		PART # <b>4008U</b>	
3700 Quick Dr. Frankeville WI		Drawing #	
Material & Treatment		<b>4008U-Info</b>	
High Conductivity		REV	
Copper Alloy		<b>A</b>	
Matte Tin Plate		Sheet 1 of 1	

Drawn By	Date	Checked By	Scale	A.Q.L.
<b>Paul</b>	<b>3/31/03</b>	<b>Roger</b>	<b>None</b>	

Tolerances, unless otherwise noted

Rev	Date	By	Description
<b>A</b>	<b>4-28-10</b>	<b>BNT</b>	<b>Update print; remove one notch</b>