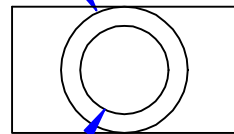
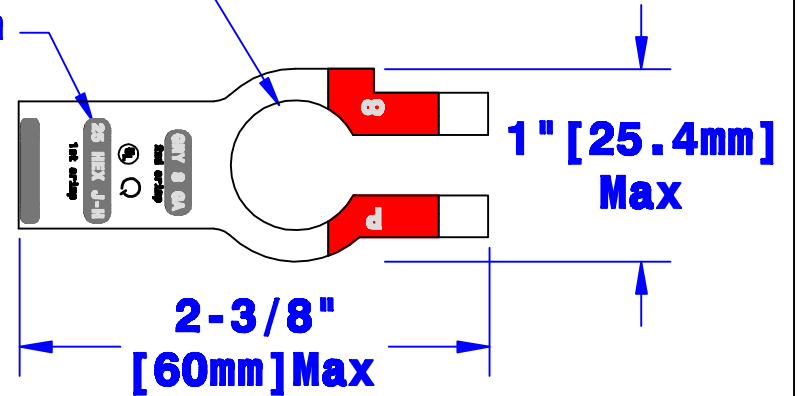
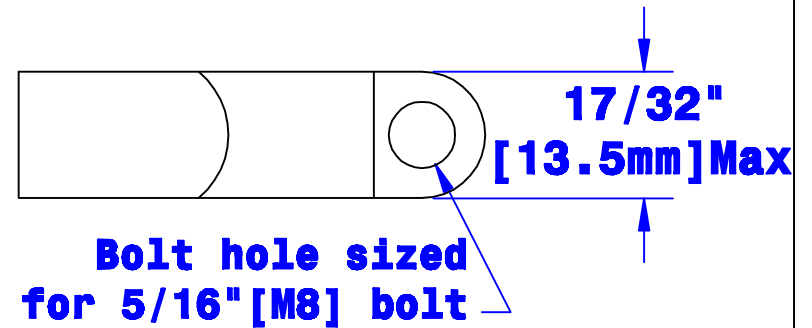


**Positive post hole**  
**Crimp information**



**I.D. sized for 8 ga  
 [8mm<sup>2</sup>]stranded cable  
 7/8" [22.2mm]min depth**



Property of <b>QUICK CABLE</b> 3700 Quick Drive Franksville, WI 53126 U.S.A. www.quickcable.com	TITLE
	<b>Straight clamp</b>
	PART #
	<b>4008P</b>

**Confidential and Proprietary Information**

Rev	Date	ECN#	By	Description	Drawn By	Date	Regr	Scale	Material & Treatment <b>High Conductivity          Copper Alloy          Matte Tin Plate</b>	Drawing #	REV
<b>B</b>	4-26-10	2053	BMT	Update print; remove one notch	<b>Paul</b>	3-31-03	<b>Mike E</b>	None		<b>4008P-Info</b>	<b>B</b>
<b>A</b>	5-25-06	1285	JMH	Added color printing to tangs	Tolerances, unless otherwise noted					Sheet 1 of 1	
					Dimensions are reference only						