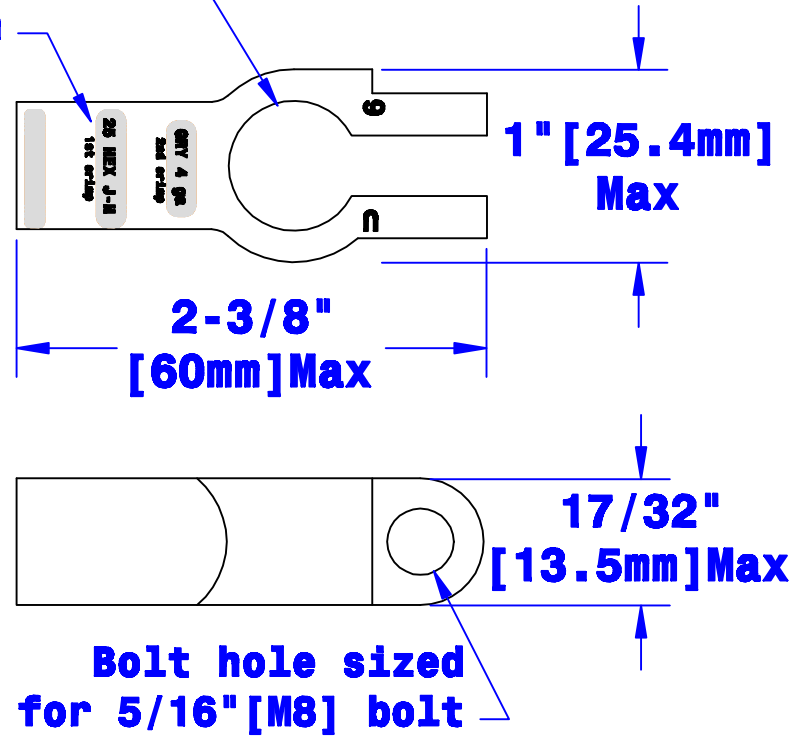
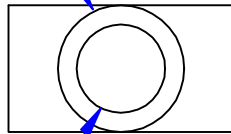


Universal post hole
Crimp information

7/16"
[11.1mm]
Dia REF



I.D.sized for 6 ga
[13mm²]stranded cable
7/8" [22.2mm] min depth

Property of QUICK CABLE 3700 Quick Dr. Franksville WI		TITLE Straight clamp	
		PART # 4006U	
Material & Treatment High Conductivity Copper Alloy Matte Tin Plate		Drawing # 4006U-Info	REV A
		Sheet 1	Of 1

Drawn By Paul	Date 3/31/03	Checked By Roger	Scale None	A.Q.L.
-------------------------	------------------------	----------------------------	----------------------	--------

Tolerances, unless otherwise noted

Rev	Date	By	Description
A	4-28-10	BMT	Update print; remove one notch