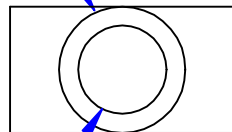
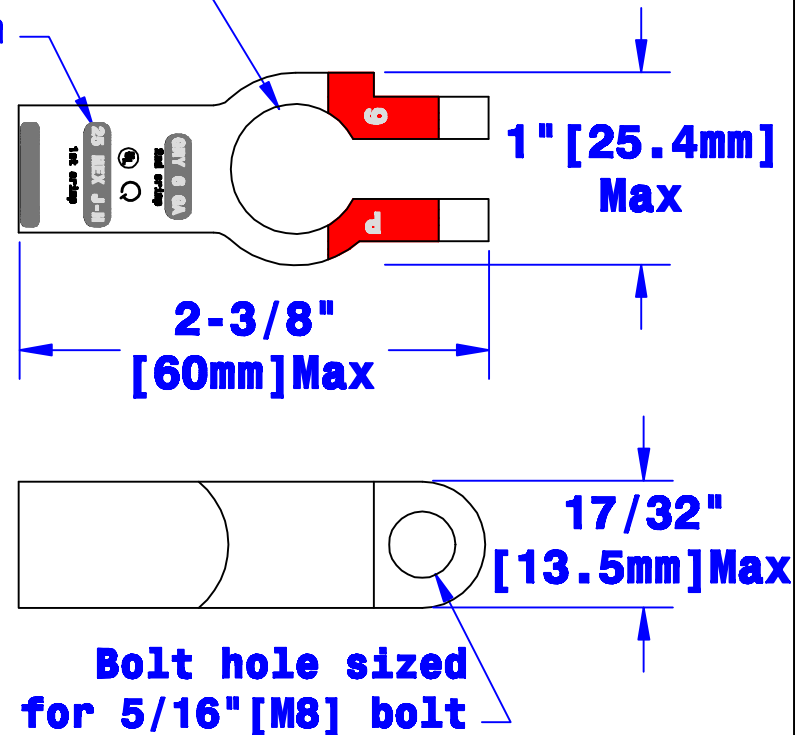


7/16"
[11.1mm]
Dia REF



I.D. sized for 6 ga
[13mm²]stranded cable
7/8" [22.2mm] min depth

Positive post hole
Crimp information



Property of QUICK CABLE 3700 Quick Drive Franksville, WI 53126 U.S.A. www.quickcable.com	TITLE Straight clamp
	PART # 4006P

Confidential and Proprietary Information

Rev	Date	ECN#	By	Description
B	4-26-10	2053	BMT	Update print; remove one notch
A	5-25-06	1265	JMH	Added color printing to tangs

Drawn By Paul	Date 3-31-03	Enger Mike E	Scale None
Tolerances, unless otherwise noted			
Dimensions are reference only			

Material & Treatment High Conductivity Copper Alloy Matte Tin Plate	Drawing # 4006P-Info	REV B
Sheet 1 of 1		