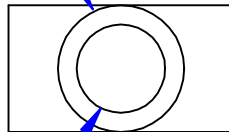
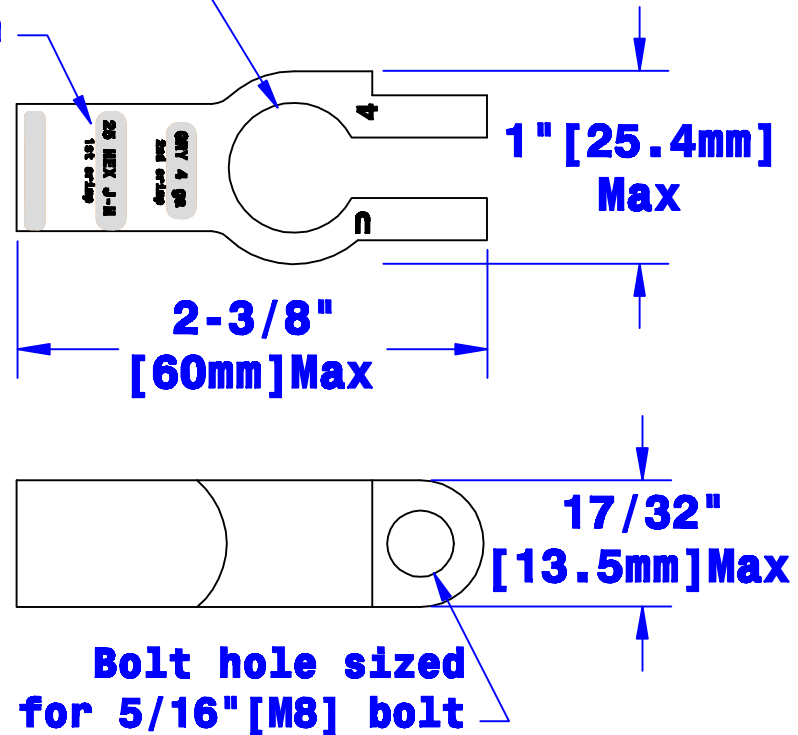


Universal post hole
Crimp information

7/16"
[11.1mm]
Dia REF



I.D. sized for 4 ga
[19mm²]stranded cable
7/8" [22.2mm] min depth



Property of		TITLE Straight clamp	
QUICK CABLE		PART # 4004U	
3700 Quick Dr. Franksville WI		Drawing # 4004U-Info	
Material & Treatment High Conductivity Copper Alloy Matte Tin Plate		REV A	
		Sheet 1 of 1	

Drawn By Paul	Date 3/31/03	Checked By Roger	Scale None	A.Q.L.
Tolerances, unless otherwise noted				

A	4-28-10	BMT	Update print; remove one notch
Rev	Date	By	Description