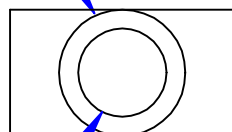
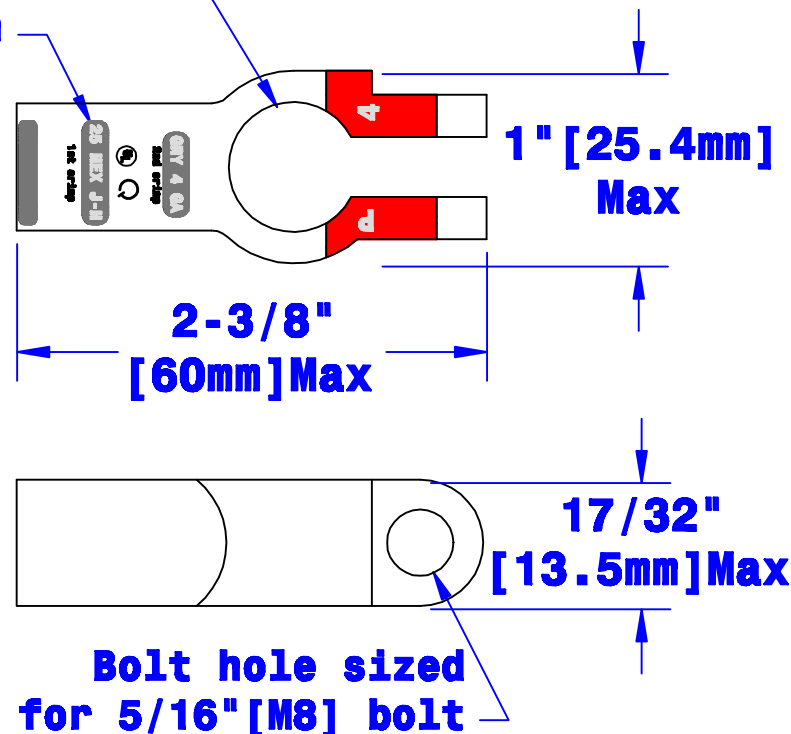


**7/16"**  
**[11.1mm]**  
**Dia REF**



**I.D.sized for 4 ga**  
**[19mm<sup>2</sup>]stranded cable**  
**7/8"[22.2mm] min depth**

**Positive post hole**  
**Crimp information**



<b>Property of</b> <b>QUICK CABLE</b> 3700 Quick Drive Franksville, WI 53126 U.S.A. www.quickcable.com	<b>TITLE</b> <b>Straight clamp</b>	
	<b>PART #</b> <b>4004P</b>	
<b>Confidential and Proprietary Information</b>		
<b>Material &amp; Treatment</b> <b>High Conductivity</b> <b>Copper Alloy</b> <b>Matte Tin Plate</b>	<b>Drawing #</b> <b>4004P-Info</b>	<b>REV</b> <b>B</b>
	<b>Sheet 1 of 1</b>	

Rev	Date	ECN#	By	Description	Drawn By	Date	Regr	Scale
B	4-26-10	2053	BMT	Updated print; remove one notch	Paul	3-31-03	Mike E	None
A	5-25-06	1265	JMH	Added color printing to tangs	Tolerances, unless otherwise noted Dimensions are reference only			