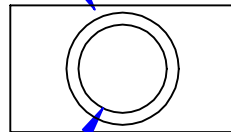
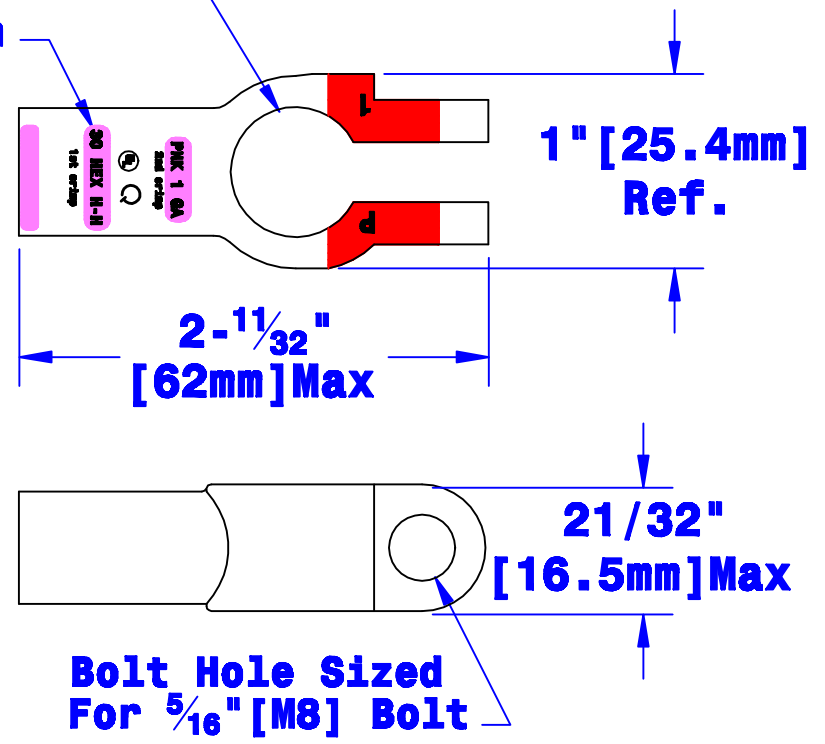


35/64" [14mm] Dia Ref



**I.D. Sized For 1 Ga [40mm²] Stranded Cable
7/8" [22.2mm] Min Depth**

**Positive Post Hole
Crimp Information**



Property of QUICKCABLE 3700 Quick Drive Franksville, WI 53126 U.S.A. www.quickcable.com		TITLE Straight clamp
		PART # 4001P
Confidential and Proprietary Information		
Material & Treatment High Conductivity Copper Alloy Matte Tin Plate	Drawing # 4001P-Info	REV B
Sheet 1 of 1		

Rev	Date	ECN#	By	Description	Drawn By	Date	Checked By	Scale
B	02-03-09	1759	JMH	Update print; remove one notch; shorten tange	Paul	3-31-03	Mike E	None
A	5-25-06	1295	JMH	Added color printing to tange				
					Tolerances, unless otherwise noted Dimensions are reference only			