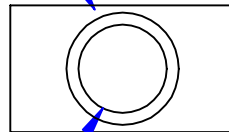
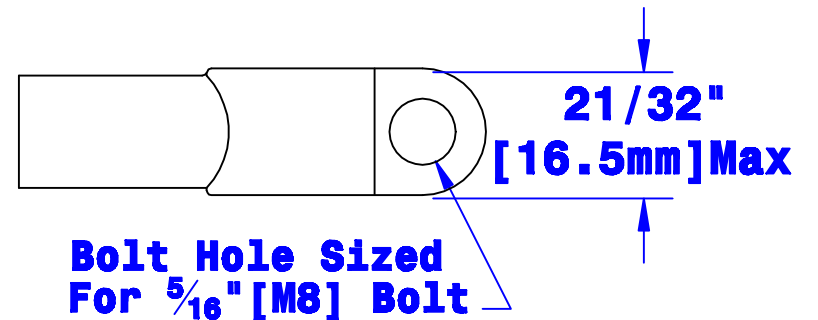
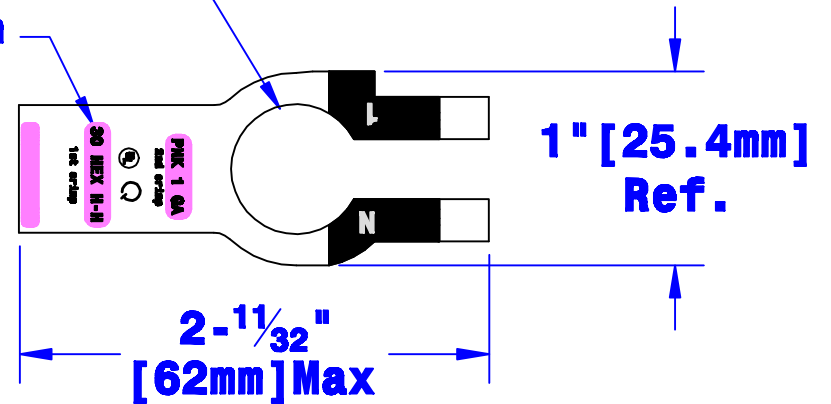


35/64" [14mm] Dia Ref



**I.D. Sized For 1 Ga [40mm²] Stranded Cable
7/8" [22.2mm] Min Depth**

**Negative Post Hole
Crimp Information**



Property of QUICKCABLE [®] 3700 Quick Drive Franksville, WI 53126 U.S.A. www.quickcable.com		TITLE Straight clamp	
		PART # 4001N	
Confidential and Proprietary Information			
Drawn By Paul	Date 3-31-03	Checked By Mike E	Scale None
Material & Treatment High Conductivity Copper Alloy Matte Tin Plate		Drawing # 4001N-Info	REV B
		Sheet 1 of 1	

Rev	Date	ECN#	By	Description
B	02-03-09	1759	JMH	Update print; remove one notch; shorten tange
A	5-25-06	1295	JMH	Added color printing to tange

Drawn By	Date	Checked By	Scale
Paul	3-31-03	Mike E	None

Tolerances, unless otherwise noted
Dimensions are reference only