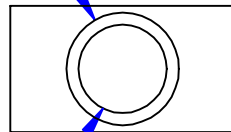
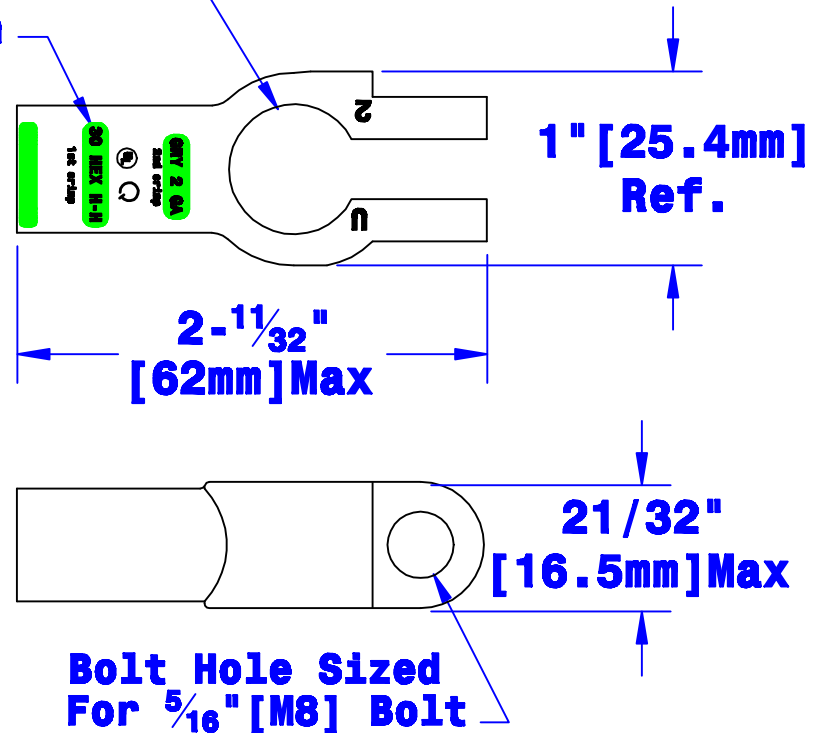


**Universal Post Hole  
Crimp Information**

**35/64" [14mm]  
Dia Ref**



**I.D. Sized For 2 Ga  
[32mm<sup>2</sup>] Stranded Cable  
7/8" [22.2mm] Min Depth**



Property of <b>QUICKCABLE®</b> 3700 Quick Drive Franksville, WI 53126 U.S.A. www.quickcable.com		TITLE <b>Straight clamp</b>
		PART # <b>4002U</b>
<b>Confidential and Proprietary Information</b>		
Material & Treatment <b>High Conductivity Copper Alloy Matte Tin Plate</b>	Drawing # <b>4002U-Info</b>	REV <b>B</b>
		Sheet 1 of 1

Rev	Date	ECN#	By	Description	Drawn By	Date	Checked By	Scale
B	02-03-09	1759	JMH	Update print; remove one notch; shorten tangs	Paul	3-31-03	Mike E	None
A	5-25-06	1285	JMH	Added color printing to tangs	Tolerances, unless otherwise noted Dimensions are reference only			