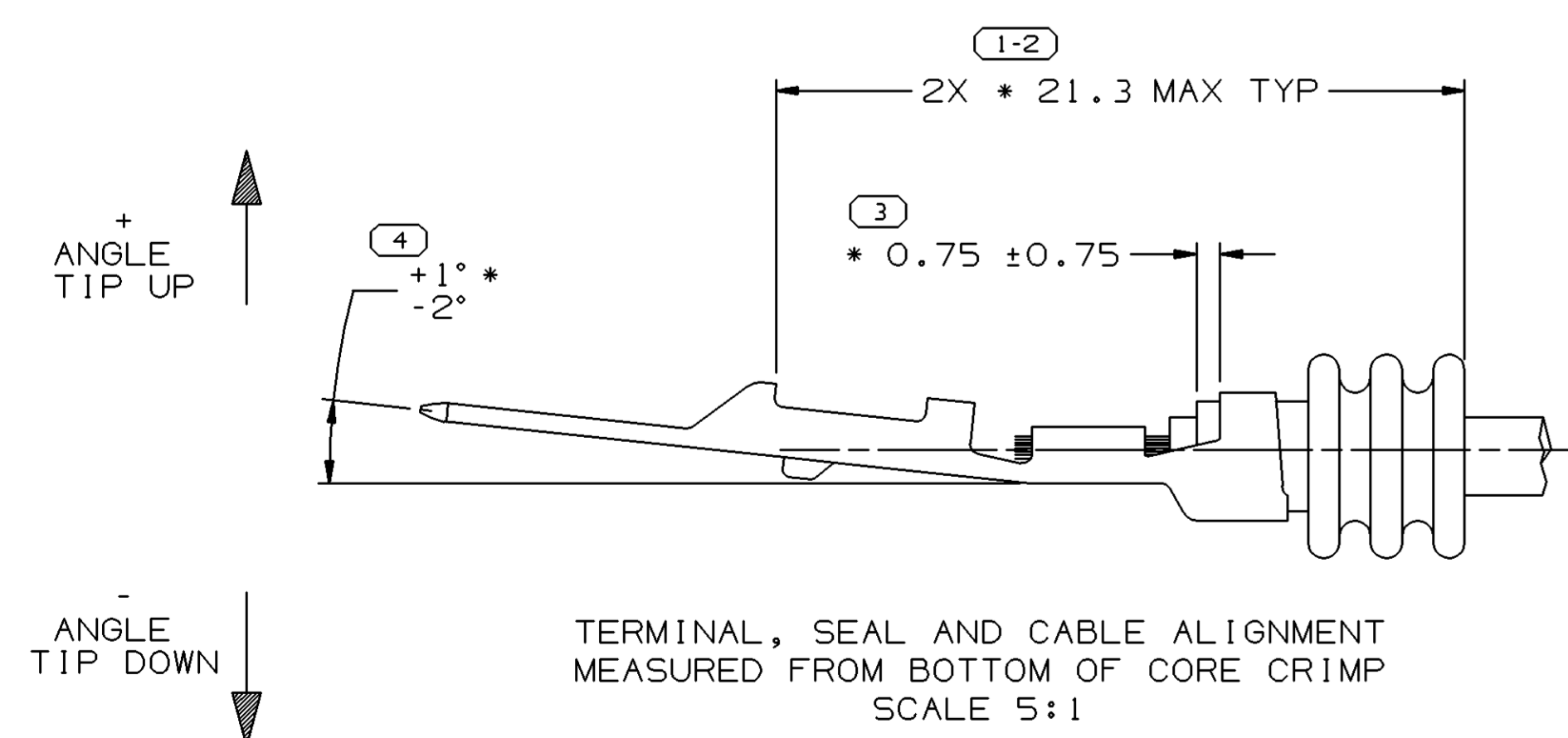
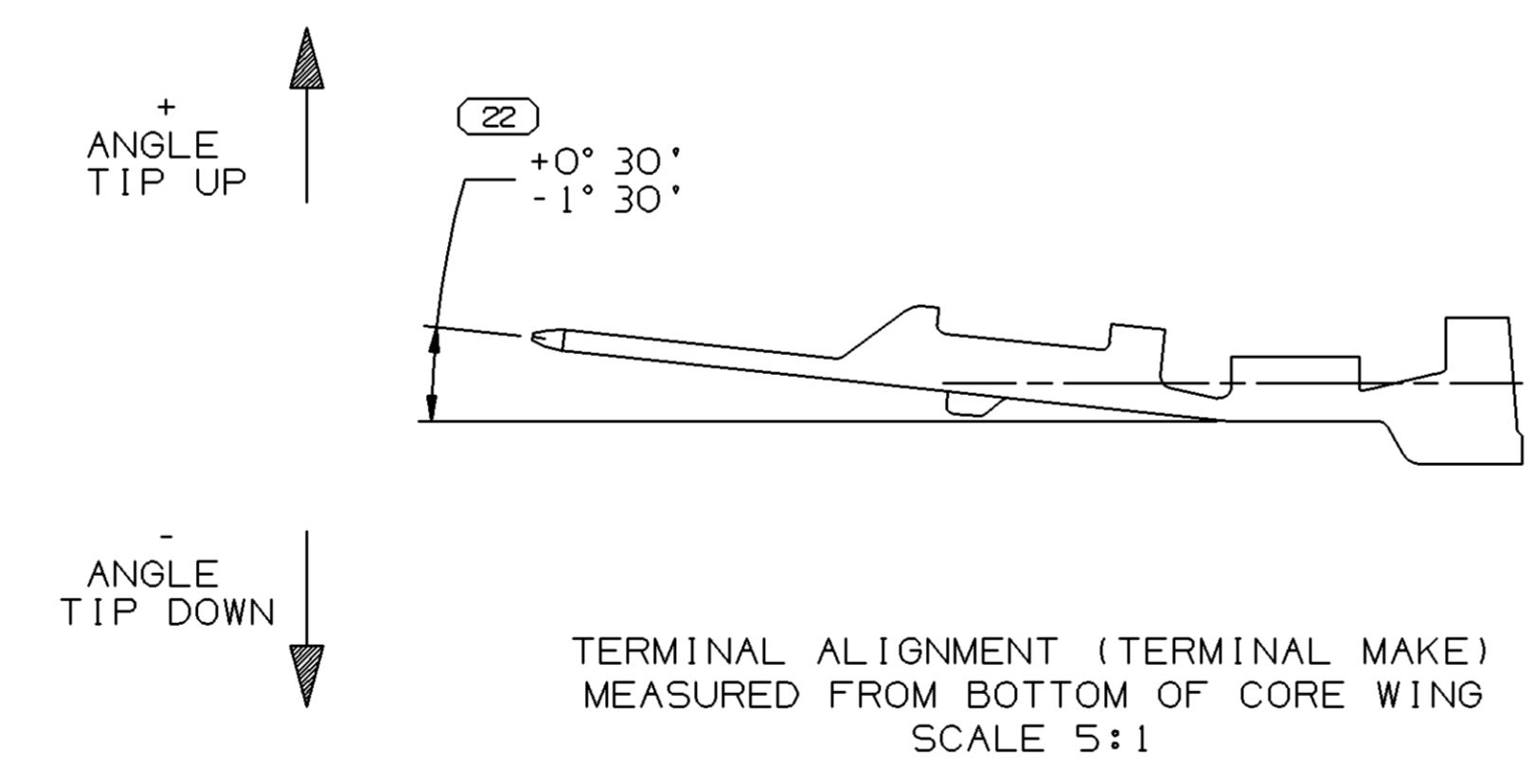
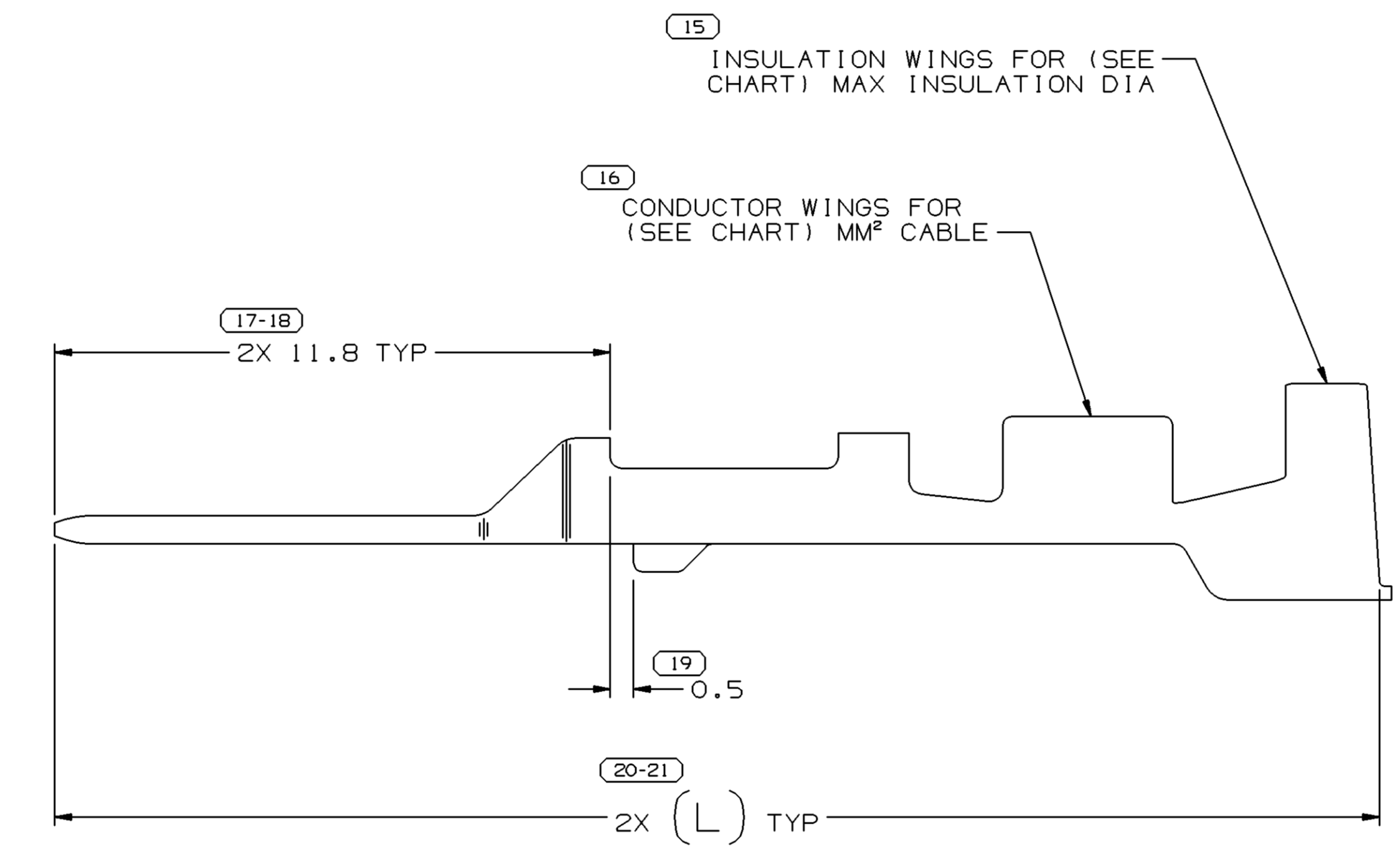
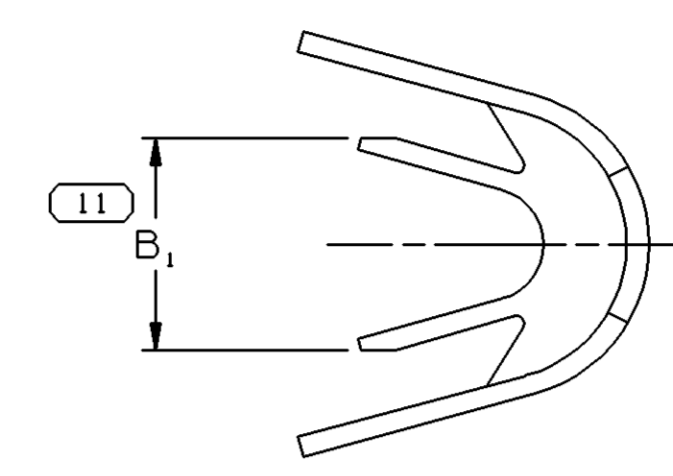
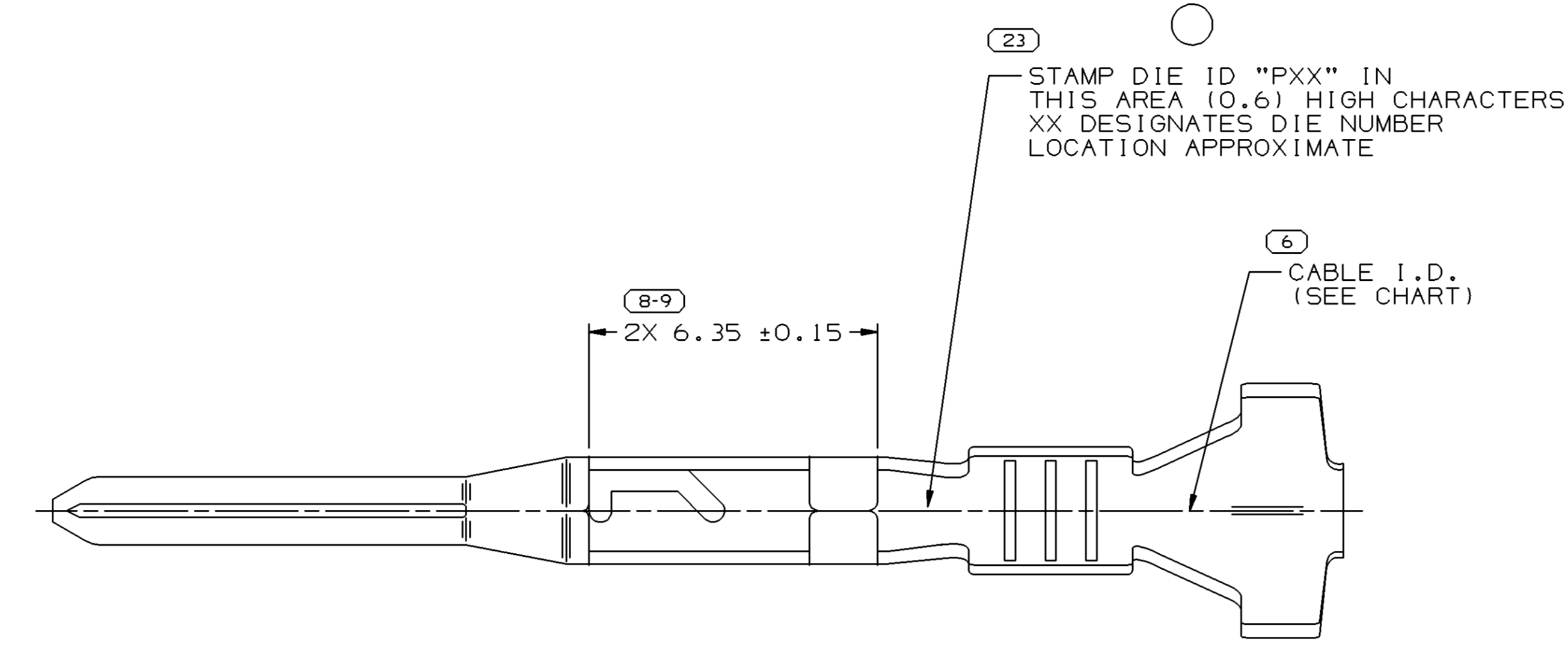
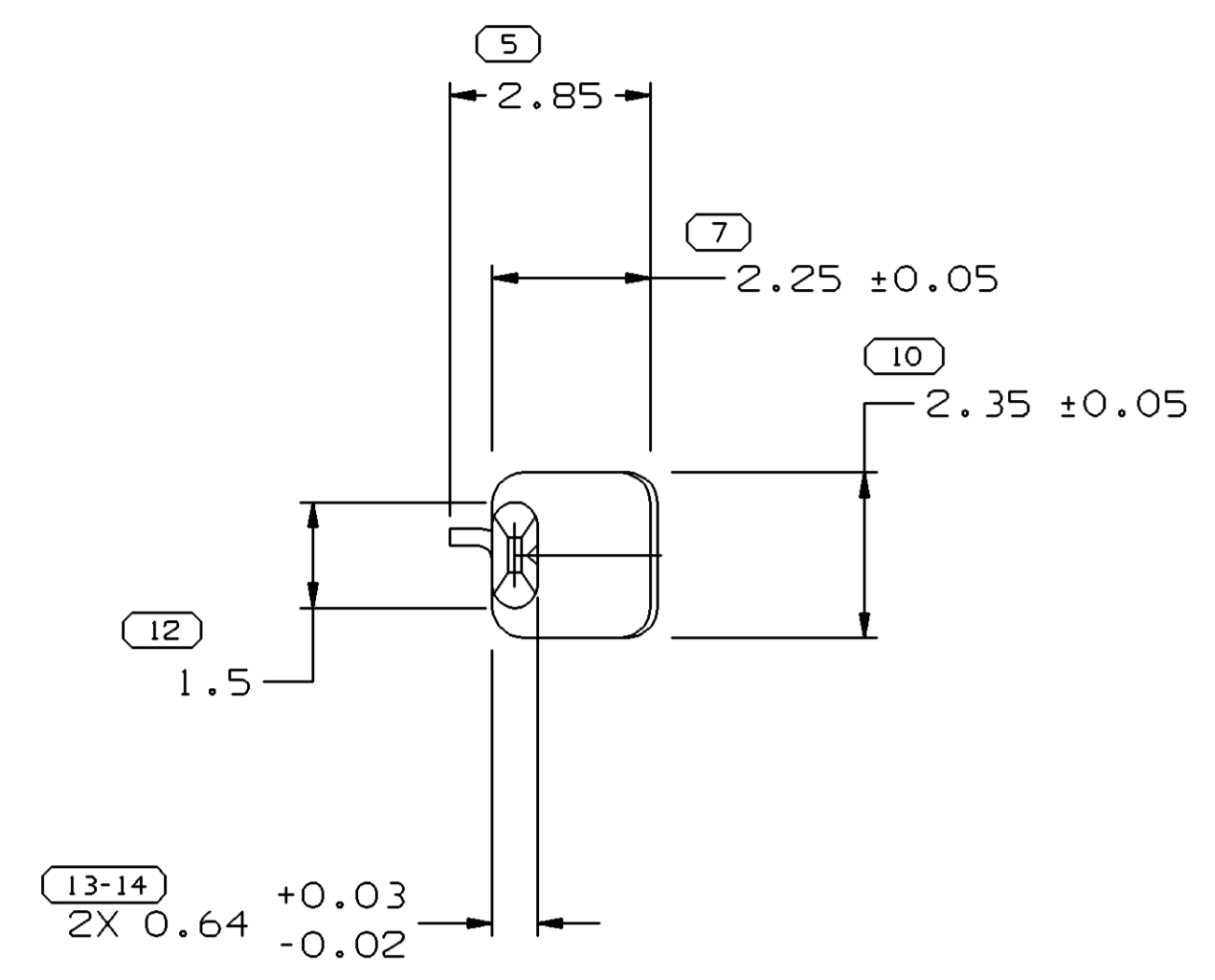


SYMBOL DEFINITION		MISSING NUMBERS		DWO STATUS				REVISION HISTORY				AUTH					
DATE	STG	REV	N/P	CHK	ZONE	DATE	STG	REV	N/P	CHK	ZONE	DATE	STG	REV	N/P	CHK	ZONE
31JUL02	R	05	-	-								228344	CJP	CJP	PMJ		
17OCC02	R	06	-	-								227307	EVV	EVV	TTR		
25FEO3	R	07	-	-								237063	MAC	MAC	PMJ		
16AP03	R	08	-	-								239445	TLD	TLD	EJH		
20JL03	R	09	-	-								242518	BRB	BRB	MC		
01MR04	R	10	-	-								252269	EES	EES	EJH		
04OCC04	R	11	-	-								259308	GPS	JVM	MKM		



- NOTES
- UNLESS OTHERWISE SPECIFIED AND/OR INDICATED: DIMENSIONS ARE TO FACE OF VIEW SHOWN AND AUTOMATICALLY ROUNDED BY COMPUTER FOR INSPECTION (SEE MATH MODEL FOR PRECISE DIMENSIONS). FOR ALL OTHER DIMENSIONS NOT SHOWN BUT REQUIRED FOR TOOL BUILD, SEE MATH MODEL FOR PRECISE TOOL PATH DATA.
  - REFERENCE MATING COMPONENTS OR EQUIVALENT: TERMINAL 12191818
  - \* DENOTES DIMENSIONS MADE AT CUT OFF AND CRIMP DIE.

DIMENSIONAL RANGE (MM)		CHART ID	THIRD ANGLE PROJECTION	DO NOT SCALE
FROM	TO			
0	>12			
TOLERANCE UNLESS OTHERWISE SPECIFIED				
±0.1	±0.2			
ANGULAR TOLERANCE 22°				

**DELPHI**  
DELPHI PACKARD ELECTRIC SYSTEMS  
WARREN, OH

DR	DATE
APV01 H. CASTRILLON	18AP97
APV02 PEDRO YABUR	24AP97
APV03 S.C. HSIEH	12MY97
APV04	
APV05	

UNLESS OTHERWISE SPECIFIED  
THIS DOCUMENT IS IN ACCORDANCE WITH ASME Y14.5M-1994  
AS AMENDED BY THE 2003 ADDENDUM AND  
TOLERANCING ADDENDUM-1997. ALL GEOMETRIC TOLERANCES  
AND RELATED SURFACE TEXTURE, FORM, AND FINISH SPECIFICATIONS  
AND RELATED DIMENSIONS AND TOLERANCES ARE ESTABLISHED BY  
MATH MODEL UNLESS OTHERWISE SPECIFIED. SEPARATE POSITION  
TOLERANCES MAY BE OBTAINED SEPARATELY, REGARDLESS OF DATUM  
REFERENCE. ALL DIMENSIONS ARE IN MILLIMETERS.

DRAWING NAME: TAXI TERM M GT 150 SEALED  
DRAWING NUMBER: 15304703  
SIZE: A0  
SCALE: 10:1  
FRAME NO: 1 OF 1  
SHEET NO: 2 OF 2  
STG REV N/P: R 11 -

PART NO	REV	N/P	STATUS	MAT'L SIZE	PLATED	MAT'L SPEC	SIZE (MM²)	ID	DIA	TYPE	B <sub>1</sub> ±z	(L)	APPLICATION	TYPICAL CABLE SEAL	TYPICAL SEALING CAVITY CONFIG
15443663	01	AC	OBSOLETE	0.3X36.12		M37496N1 425 TIN BRS EX HD GOLD	0.75 - 0.8	19	2.02 - 1.7	101	2.65	28.15	SEALED (MINI)	15305351 OR EQUIV	3.2 X 4 OVAL
15373413	01	AG		0.3X36.12		M3659A24 425 TIN BRS EX HD SN REFLO	0.75 - 0.8	18	2.02 - 1.7	101	2.65	28.15	SEALED (MINI)	15305351 OR EQUIV	3.2 X 4 OVAL
15355563	01	AF		0.3X36.12		M3659A24 425 TIN BRS EX HD SN REFLO	0.35 - 0.5	21	1.85 - 1.2	101	2.1	28.15	SEALED (MINI)	12191229 OR EQUIV	3.2 X 4 OVAL
15326269	02	AE		0.3X36.12		M3659A24 425 TIN BRS EX HD SN REFLO	0.75 - 1	17	2.25 - 1.7±0.15	101	2.65	28.15	SEALED (GT)	12191227 OR EQUIV	Ø 4 ROUND
15326268	02	AE		0.3X36.12		M3659A24 425 TIN BRS EX HD SN REFLO	0.35 - 0.5	21	1.85 - 1.2±0.15	101	2.1	28.15	SEALED (GT)	12191226 OR EQUIV	Ø 4 ROUND