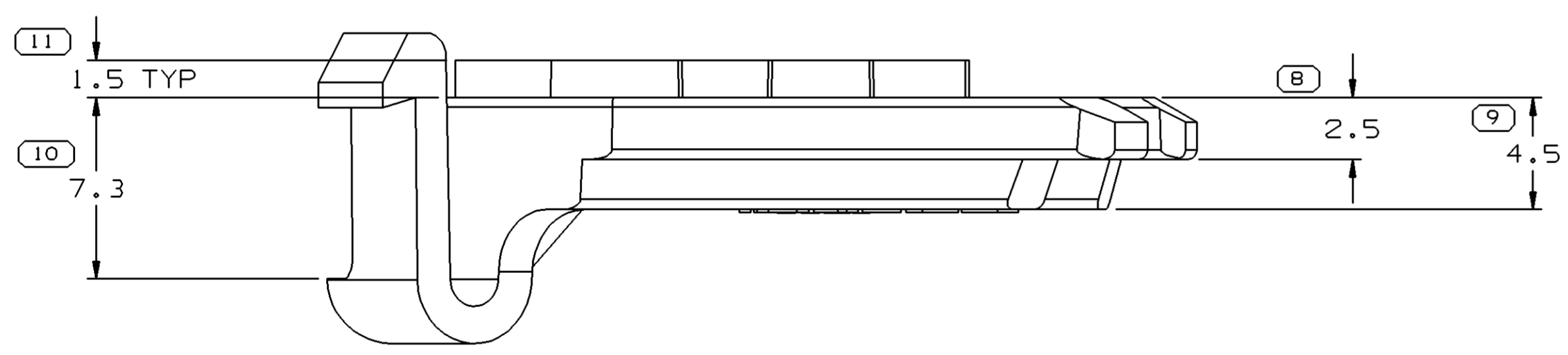
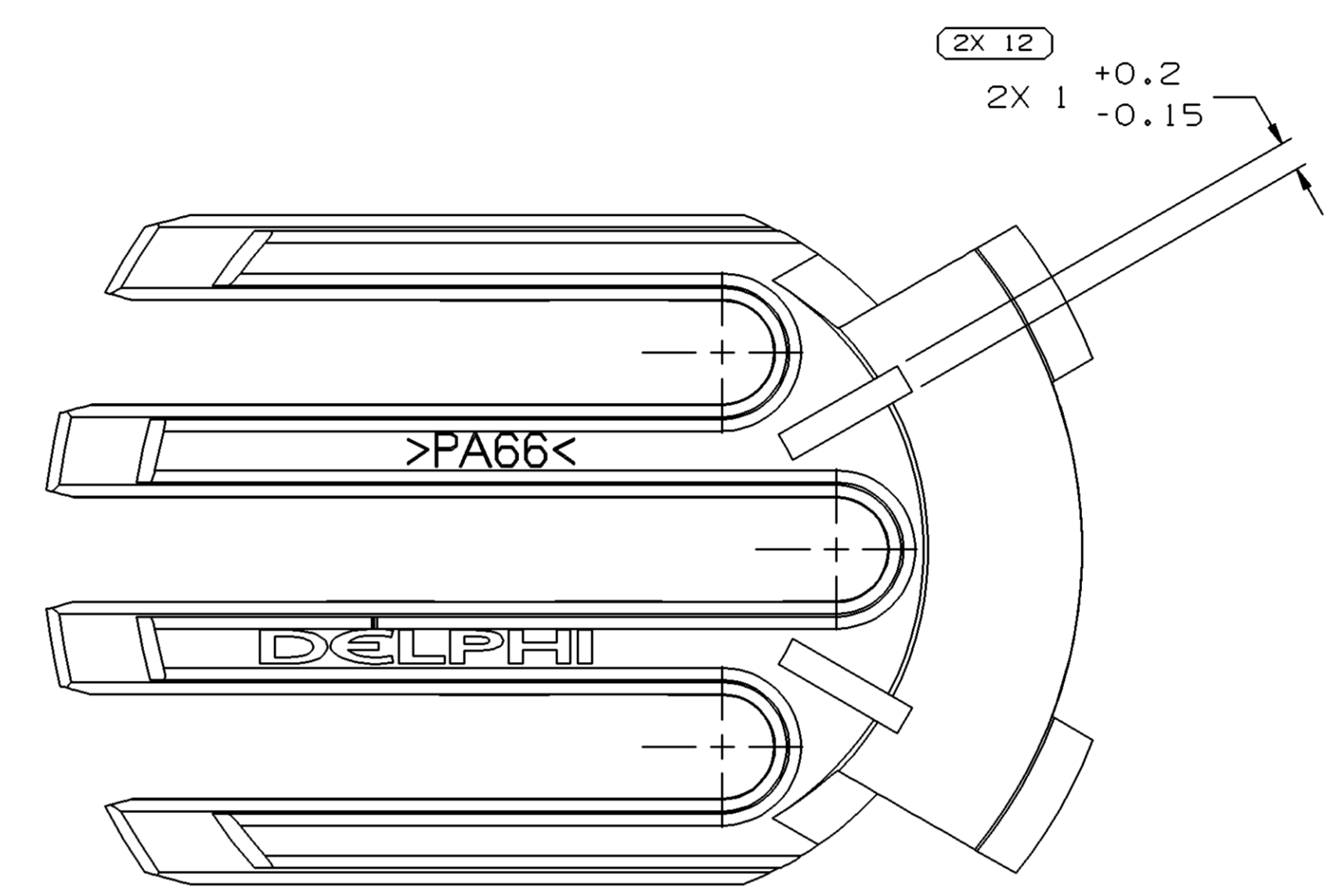
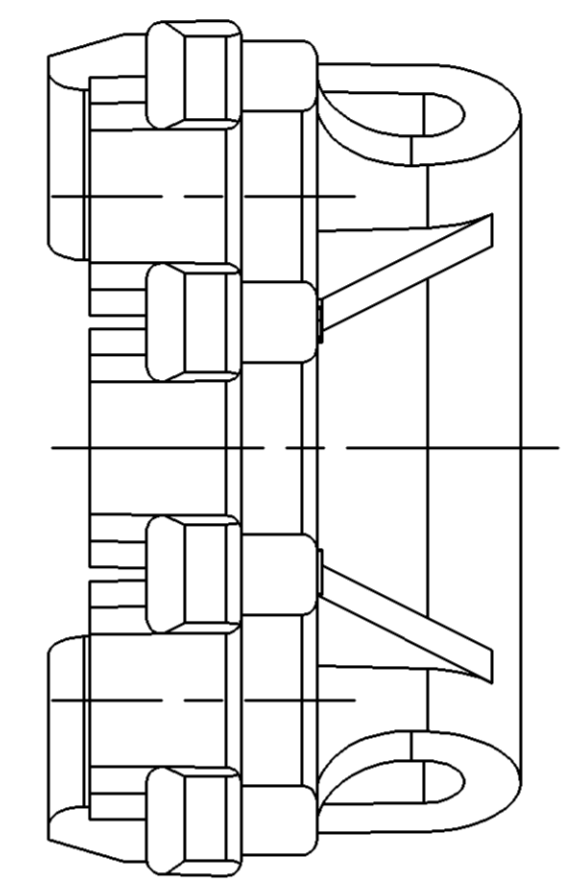
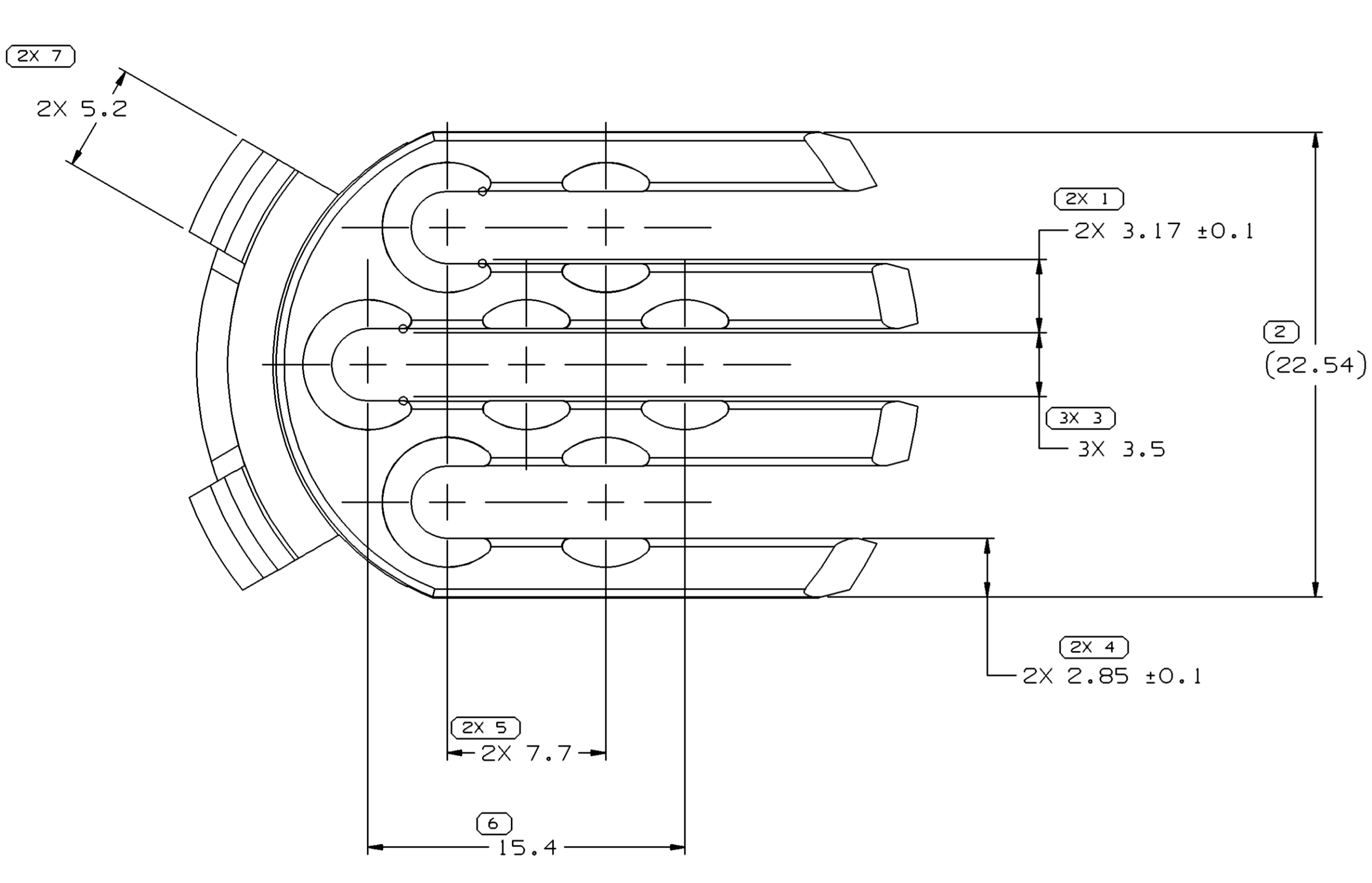


SYMBOL DEFINITION		TOTAL NO OF INSPECTIONS REQUIRED	
A DIMENSION WITHOUT AN INSPECTION REPORT SYMBOL DOES NOT REQUIRE INSPECTION. IT MAY BE CONTROLLED ON THE INDIVIDUAL COMPONENT DRAWING.	( )	19	
	LAST NO. USED	12	

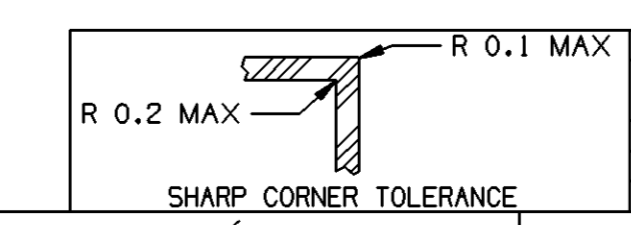
MISSING SYMBOLS		NO MISSING SYMBOL NUMBER	
DATE	STG	REV	N/P
28N001	R	05	-
22AP04	R	05	AA

REVISION HISTORY				AUTH	DR	APVD	APVD
DATE	STG	REV	ZONE				
217704				REDRAWN TO PD, MAT'L SPEC WAS R0063785 AND REVISED LOGO	RH	RCH	RC
254713				DIM. 1 WAS 6X MOVED TO FRONT VIEW, DIM. 3 WAS 7X MOVED TO FRONT VIEW, DIM. 4 WAS 2X MOVED TO FRONT VIEW, DIM. 2 MOVED TO FRONT VIEW.	LMB	LMB	TM

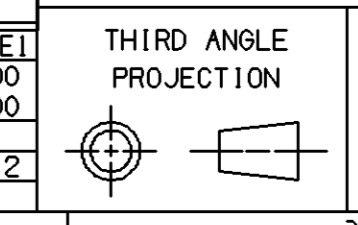


NOTES

- UNLESS OTHERWISE SPECIFIED AND/OR INDICATED: DIMENSIONS ARE TO FACE OF VIEW SHOWN AND AUTOMATICALLY ROUNDED BY COMPUTER FOR INSPECTION (SEE MATH MODEL FOR PRECISE DIMENSIONS). FOR ALL OTHER DIMENSIONS NOT SHOWN BUT REQUIRED FOR TOOL BUILD, SEE MATH MODEL FOR PRECISE TOOL PATH DATA.
- THIS PART IS NOT CONTROLLED FOR AUTOMATIC FEEDING.
- MATING COMPONENTS OR EQUIVALENT: CONNECTOR 12110750 & 12110753
- MATERIAL RECYCLING CODE >PA66< PER SAE J1344. (2.31X(0.1) RAISED CHARACTERS AS SHOWN TO BE LOCATED ON ANY EXTERIOR SURFACE. OPTIONAL CONSTRUCTION TO BE NO MATERIAL RECYCLING CODE.
- (2.31X(0.1) RAISED DELPHI CORPORATE BRAND TO BE LOCATED ON ANY EXTERIOR SURFACE, PREFERABLY VISIBLE AT FINAL ASSEMBLY. OPTIONAL CONSTRUCTION TO BE "PED" OR NO LOGO.



DIMENSIONAL RANGE (MM)		TOLERANCE UNLESS OTHERWISE SPECIFIED	
FROM	TO	±	°
> 0	> 20	±0.15	±1.2
> 20	> 30	±0.2	±1.2
> 30	> 70	±0.3	±1.2
> 70	> 100	±0.4	±1.2
> 100	> 150	±0.5	±1.2
> 150	> 200	±0.6	±1.2
> 200	> 250	±0.8	±1.2
> 250	> 300	±1	±1.2
> 300	> 400	±1.2	±1.2



DO NOT SCALE  
USE MATH DATA

**DELPHI**  
DELPHI PACKARD ELECTRIC SYSTEMS  
WARREN, OH

DR	DATE
APVD1 R. HERMOSILLO	28N001
APVD2 R. CHACON	08FE02
APVD3 R. CORZAS	11FE02
APVD4	
APVD5	

MATERIAL: M3592012 PA66 HS IM LT GRAY

DRAWING NAME: LOCK TPA M/P 280 7 GRA LT

DRAWING NUMBER: 12110754

SIZE: AO SCALE: 5:1 FRAME NO: 1 OF 1 SHEET NO: 1 OF 1 STG REV: R 05

DWG TYPE		PART DRAWING	
STYLE	1,943	DISTR CODE	D
VOLUME (OP)	6900		
ROUTING			

UNLESS OTHERWISE SPECIFIED  
THIS DOCUMENT IS IN ACCORDANCE WITH ASME Y14.5M-1994  
AS AMENDED BY THE 2003 DIMENSIONING AND TOLERANCING ADDENDUM - 1997. ALL GEOMETRIC TOLERANCES AND RELATED DATUM APPL. TO ALL DIMENSIONS UNLESS OTHERWISE SPECIFIED.  
MNCI DOES NOT APPLY WHEN RELATIONSHIP BETWEEN FEATURES IS ESTABLISHED BY ORIENTATION OR LOCATION TOLERANCES. SEPARATE POSITION DATUMS MAY BE GAGED SEPARATELY, REGARDLESS OF DATUM REFERENCE.  
ALL DIMENSIONS ARE IN MILLIMETERS