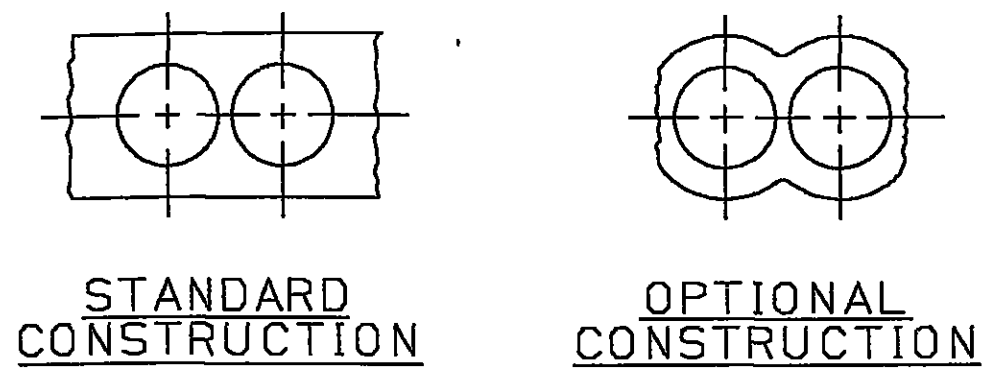
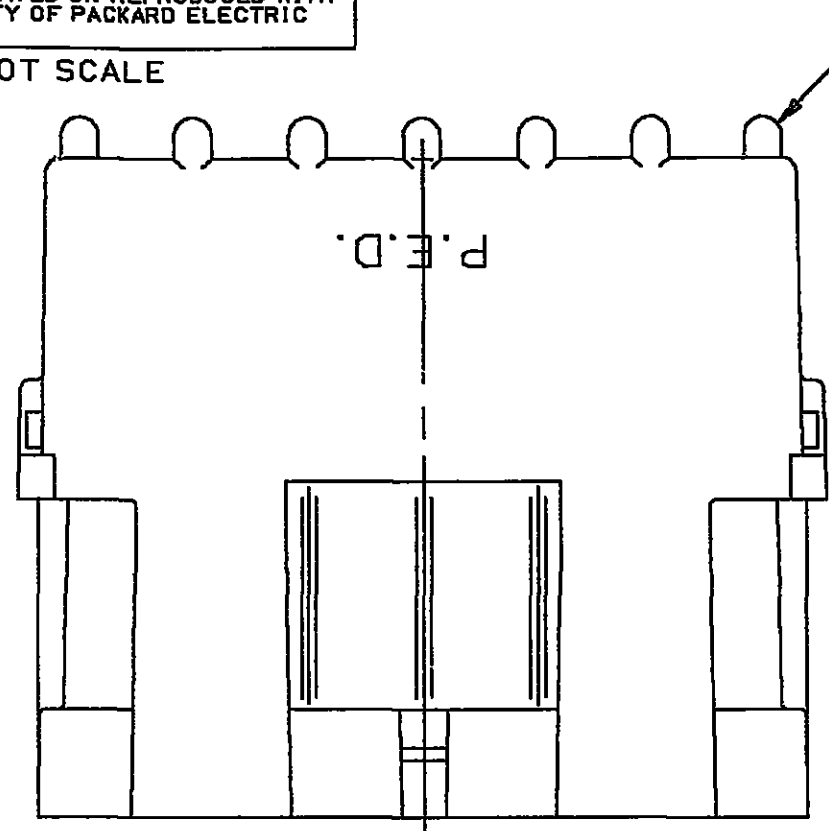


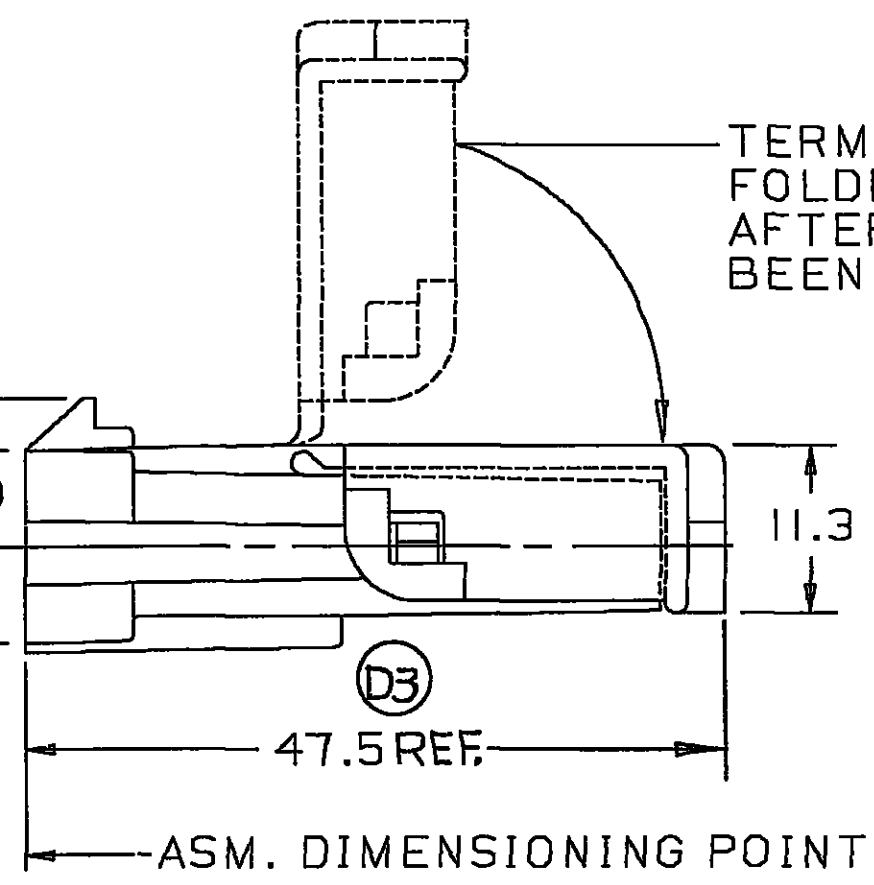
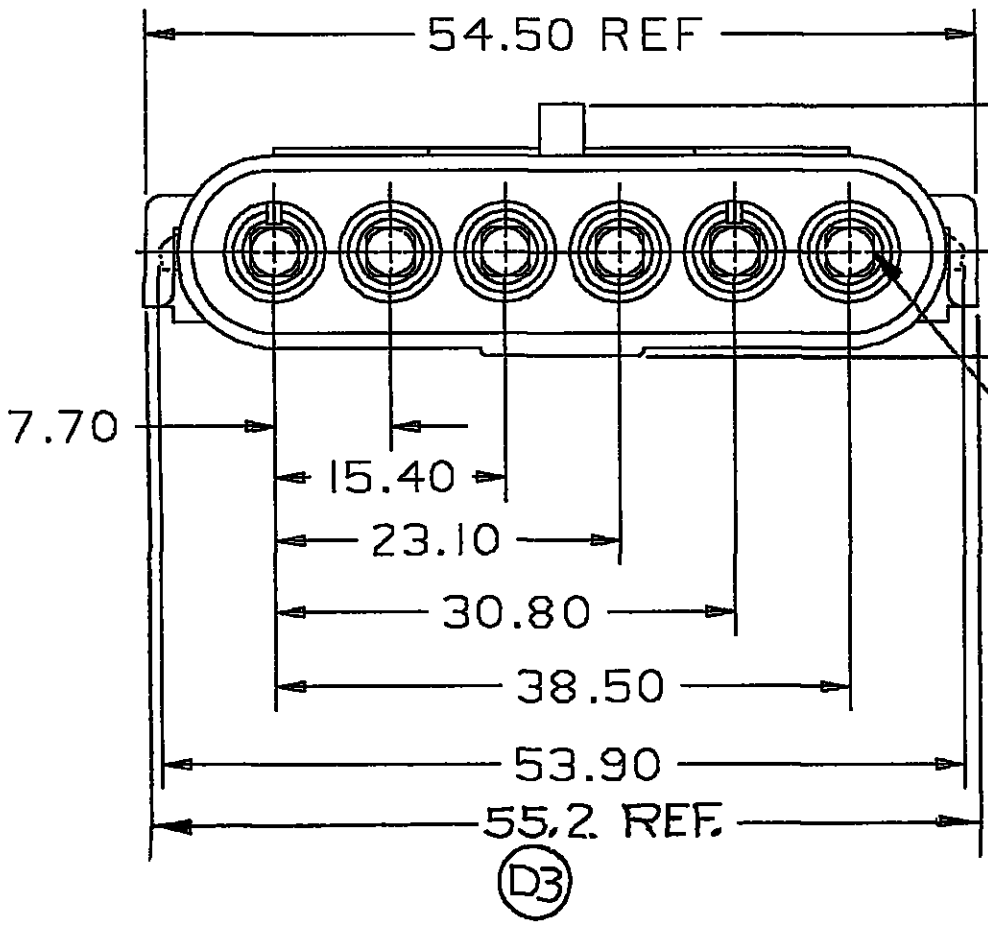
PACKARD ELECTRIC DIVISION  
GENERAL MOTORS CORPORATION  
WARREN, OHIO

THIS DRAWING AND DESIGN HEREON CONSTITUTE A PROPRIETARY DESIGN OF PACKARD ELECTRIC DIVISION AND IS NOT TO BE DUPLICATED OR REPRODUCED WITHOUT AUTHORITY OF PACKARD ELECTRIC DIVISION.

DO NOT SCALE

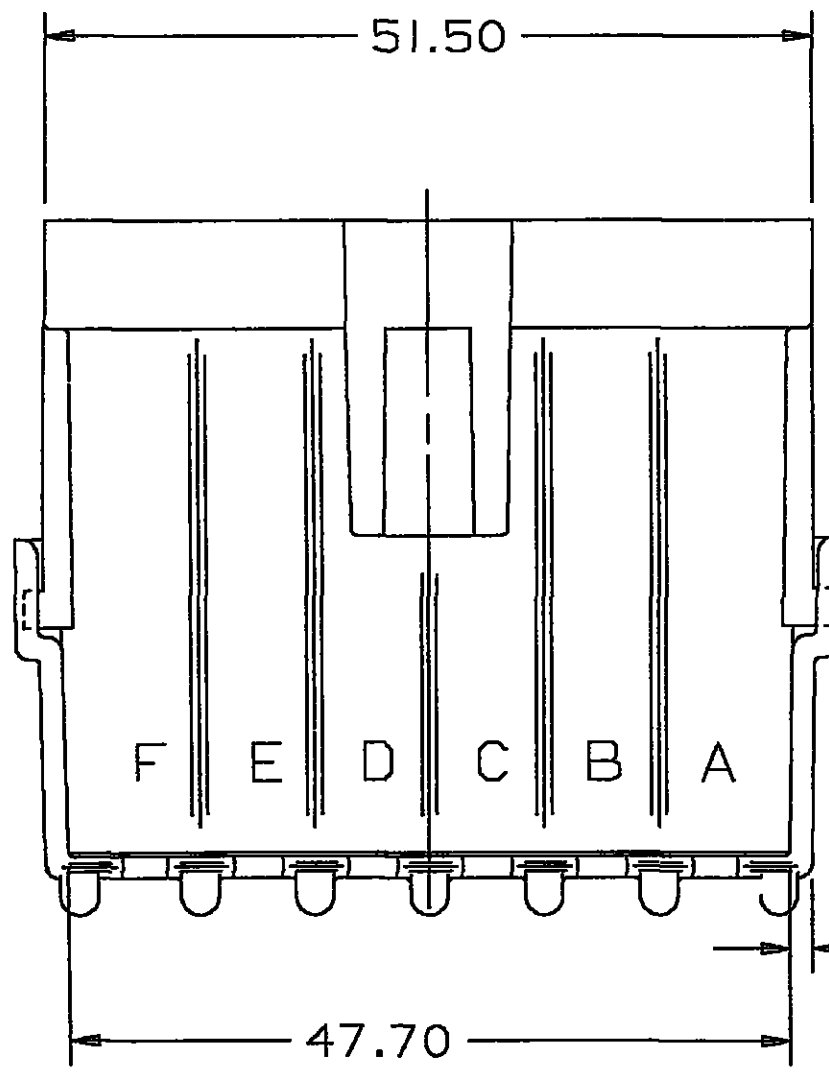


CABLE END VIEW OF CONN BODY



TERMINAL LOCK TO BE FOLDED DOWN AS SHOWN AFTER TERMINALS HAVE BEEN INSERTED.

INDEX CODE-100010 (ALSO SEE HANDBOOK)



- NOTES —
1. CAVITIES TO ACCEPT 12089040 TERMINAL OR EQUIVALENT.
  2. MATING CONNECTOR IS 12015799.
  3. SEALING CODE 3.
  4. USE 12015323 CABLE SEAL OR EQUIVALENT.
  5. CAUTION: DO NOT ATTEMPT TO COPY THIS DRAWING WHEN DESIGNING A MATING PART TO A WEATHER PACK CONNECTOR. PLEASE REQUEST THE LATEST COPY OF DRAWING NUMBER 12020084 FROM THE PACKARD ELECTRIC DIVISION.

DATE	SYM	REVISION RECORD	AUTH	DR	CK
22AU79	A	PART NO. WAS EX-67108 & RELEASED	72005	JLM	RG
28SE79	B	RIB ADDED (5 PLCS)	70694	JLM	DT
18FE80	C	REVISED CAVITY LETTER ORDER	71692	RDW	WP
18FE80	—	REVISED	71416	RDW	WP
19MY80	—	REVISED	72611	RDW	WP
20MY80	—	REVISED TITLE BLOCK & NOTES	73060	RDW	WP
13FE81	—	ADDED END VIEWS	75212	RDW	DB
21JL81	D	REVISION SYM. ADVANCED	77586	JET	DT
26OC87	—	ADDED NOTE #3	115869	JC	EM
06N087	—	NOTE #1 & #2 REVISED & NOTE #4 ADDED	116529	JH	JH
26FE91	D2	ADDED NOTE 5 & INDEX CODE			
		REVISED NOTE 1	140642	HH	JH
22JL91	D3	47.5 REF DIM. WAS 44.50; ADDED			
		17.4 REF & 55.2 REF DIMS	143256	HH	HH

DRAWING NO. 1201 0975

As of 06JL90 this drawing is no longer being maintained on computer vision.

C06D1823

<b>METRIC</b>		THIRD ANGLE PROJECTION	
DIMENSIONS ARE IN MILLIMETERS UNLESS OTHERWISE SPECIFIED		ANGULAR ± 2°	
CODE NO. 6900	TOLERANCE UNLESS OTHERWISE SPECIFIED		
QC	DECIMAL:		
	ONE PLACE ± 0.3		
	TWO PLACE ± 0.15		
DWG. DATE 23MR79	SCALE NONE	DR. J.L.MURRAY 22AU79	
CD.C.WP.M.6.12010975.0D	CK. R.W.GLEASON	DATE 04SE79	
REFERENCE NO. 12010975 "E" SIZE	APPR. J.YURTIN	DATE 05SE79	
MATERIAL SPEC. NYLON TYPE 6 (BLK)			
NAME CONN 6M W/P SHD			
PART NO. 1201 0975	OUTLINE DRAWING		SIZE C

4/18/98  
141-P  
10HA