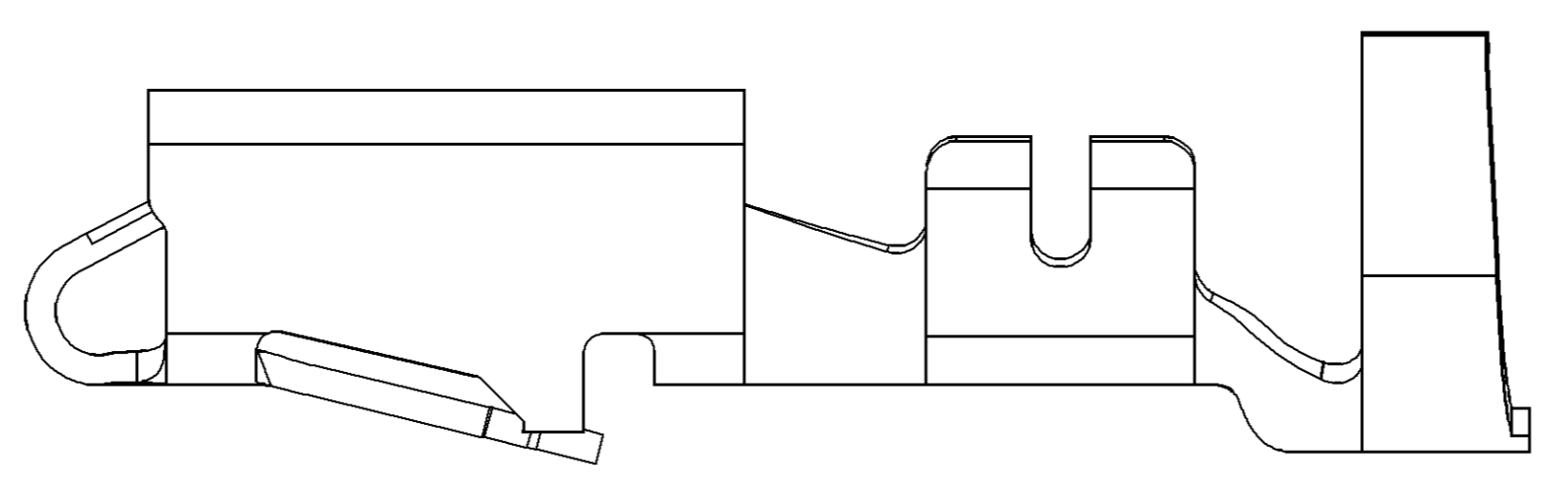
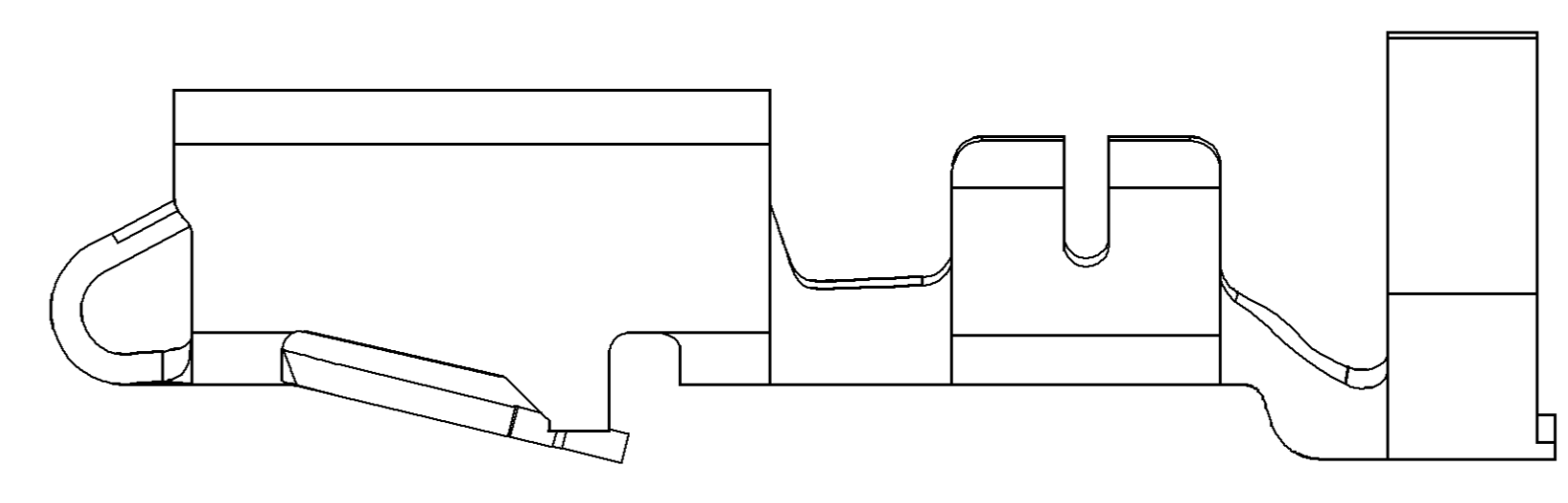


SYMBOL DEFINITION		TOTAL NO OF INSPECTIONS REQUIRED	MISSING SYMBOLS
A DIMENSION WITHOUT AN INSPECTION REPORT SYMBOL DOES NOT REQUIRE INSPECTION. IT MAY BE CONTROLLED ON THE INDIVIDUAL COMPONENT DRAWING.		10	4 6 9
	LAST NO. USED	10	

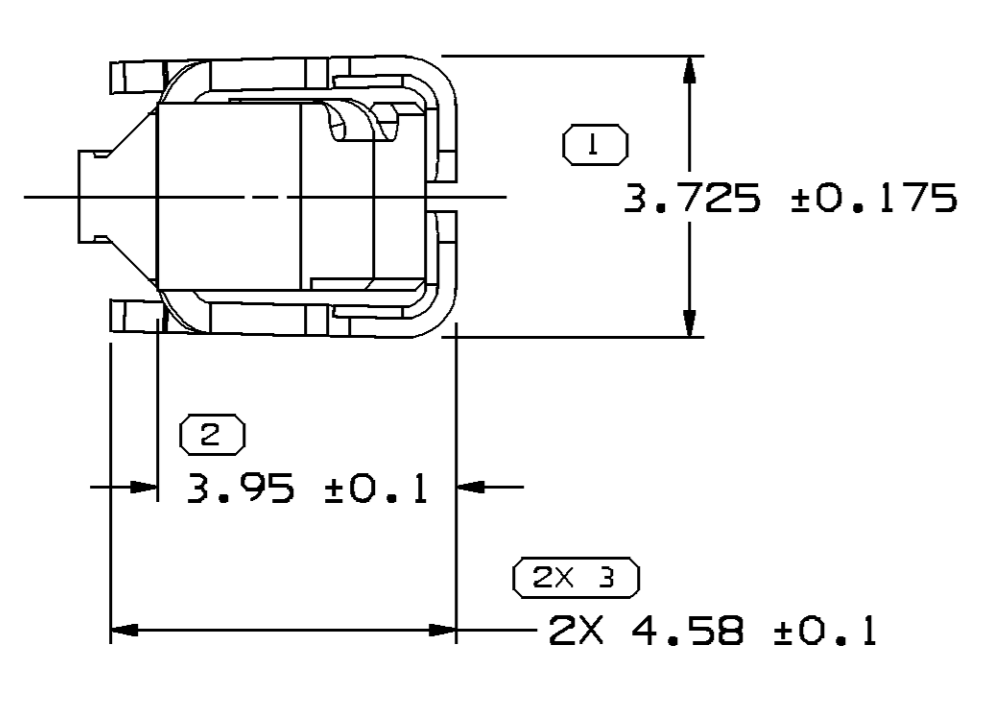
DATE	STG	REV	N/P	CHG	ZONE	REVISION HISTORY	AUTH	DR	AP/VD	AP/VD
14JA00	R	001	-	-	-	CLEARED REV COLUMN: ALL ACTIVE PARTS - UPDATED PDM ATTRIBUTES	196648	CRW	061	LLD
17JL00	R	002	-	-	-	REINSTATE 12077412	000010	JIB	JIB	JA
15OC04	R	03	-	-	-	ALL ACTIVE PARTS - ADDED TERMINAL ID NOTE	260003	RTV	JVM	MKM
24FE05	R	04	-	-	-	ALL ACTIVE PARTS - REVISED MAT'L SPEC & DRAWING NAME	265136	JS	JS	TM
18MY05	R	05	-	-	-	12176389 - UPDATED PDM ATTRIBUTES	268280	JBD	FKV	WTM
30SE05	R	06	-	-	-	12077411, 12077413, 12084201, 12129493 & 12176389 - UPDATED PDM ATTRIBUTES; 12077411 - ADDED 1.0 MMF CABLE; ALL ACTIVE PARTS - ADDED NOTE# 6	272905	JTV	AUG	WTM
11JA08	R	07	-	-	-	ALL PARTS - 2X 5 +/-0.15 TYP WAS 2X 5 +/-0.01 TYP	403419	WHC	WHC	WTM



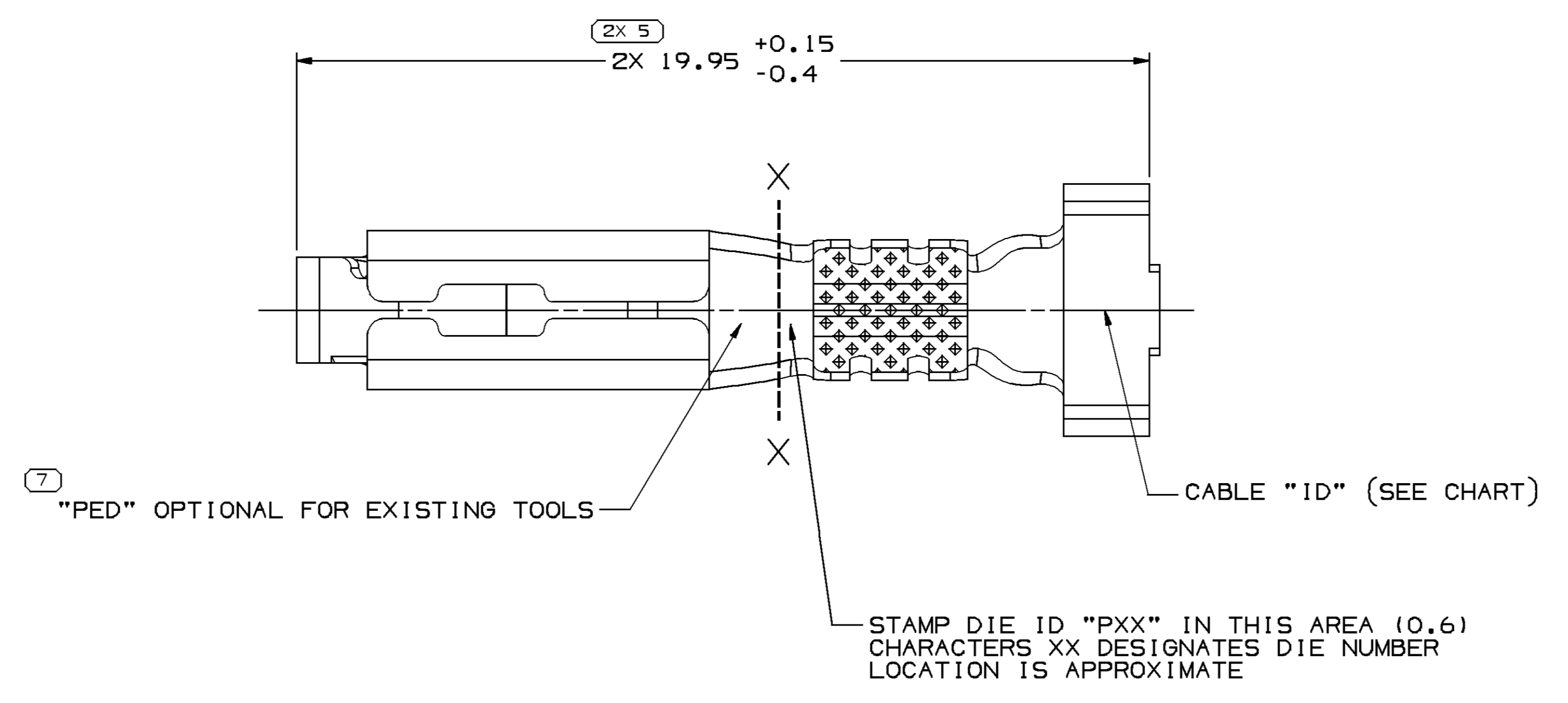
TYPE 102
SAME AS TYPE 101
EXCEPT AS SHOWN



TYPE 103
SAME AS TYPE 101
EXCEPT AS SHOWN



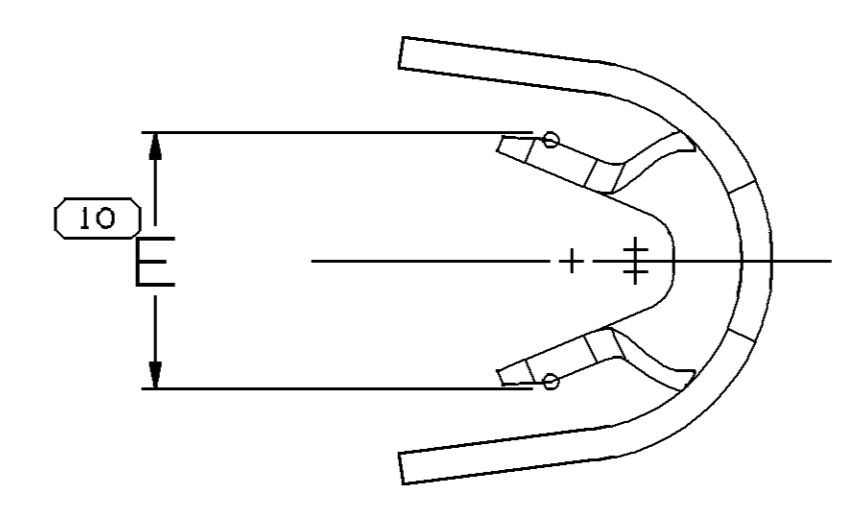
VIEW TO X-X



"PED" OPTIONAL FOR EXISTING TOOLS

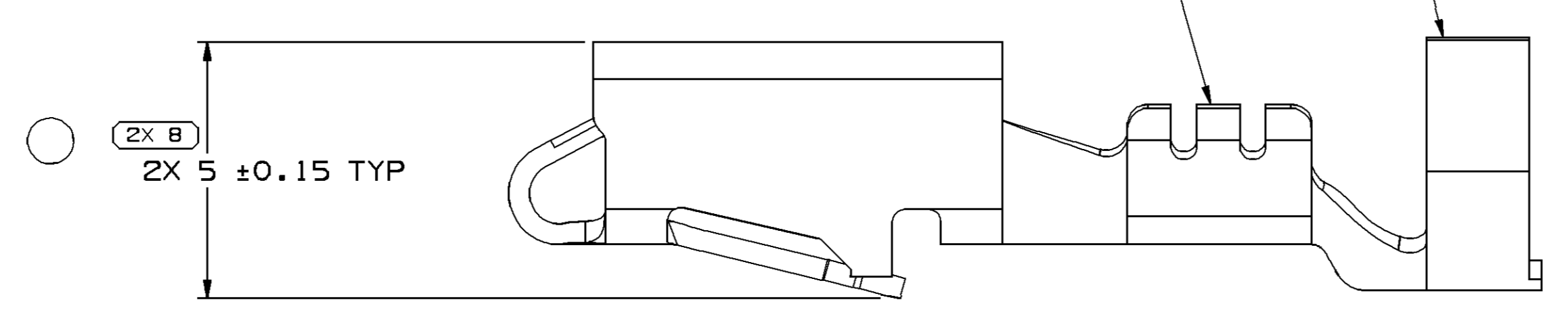
STAMP DIE ID "PXX" IN THIS AREA (0.6) CHARACTERS XX DESIGNATES DIE NUMBER LOCATION IS APPROXIMATE

CABLE "ID" (SEE CHART)

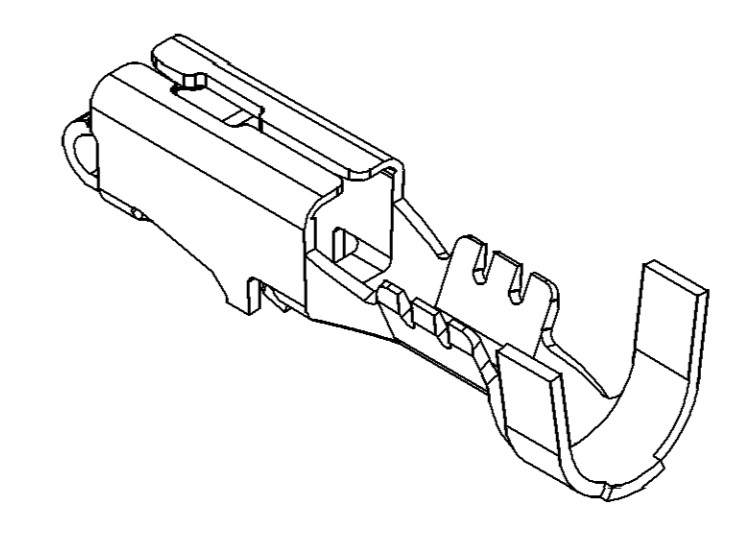


VIEW TO X-X

INSULATION WINGS (SEE CHART FOR INSULATION DIA)
CORE WINGS (SEE CHART FOR CABLE SIZE)



TYPE 101



VIEW SCALE DOES NOT REFLECT ACTUAL PART SIZE

- NOTES
- UNLESS OTHERWISE SPECIFIED AND/OR INDICATED: DIMENSIONS ARE TO FACE OF VIEW SHOWN AND AUTOMATICALLY ROUNDED BY COMPUTER FOR INSPECTION (SEE MATH MODEL FOR PRECISE DIMENSIONS). FOR ALL OTHER DIMENSIONS NOT SHOWN BUT REQUIRED FOR TOOL BUILD, SEE MATH MODEL FOR PRECISE TOOL PATH DATA.
 - R 0.4 PERMISSIBLE ON ALL "SHARP" CORNERS
 - RECOMMENDED MATING BLADE 2.8 X 0.81.
 - TERMINALS TO CRIMP AROUND AND RETAIN CAVITY SEAL 12015323 OR EQUIVALENT.
 - "PXX" INDICATES "P" PLUS LAST TWO DIGITS OF MAKE SERIES NUMBER (P01, P02, P03, ETC.).
 - DO NOT PROBE, TEST OR OTHERWISE CONTACT THE INTERIOR REGION (THE SPRING OR ANY MOVING PART) OF THIS TERMINAL. SEVERE DAMAGE CAN OCCUR, COMPROMISING THE PERFORMANCE OF THE ELECTRICAL INTERFACE.

PART NO	REV	STATUS	MAT'L SIZE	SPEC	PART NO	REV/N/P	STATUS	MAT'L SPEC	SIZE (MM ²)	DIA	ID	TYPE	
			0.406 X 30.56		12176390	A7		M3644258 C17510 AT AG/NI PLTD	0.35-0.5	1.84-2.51	21	101	2.4 ±0.2
			0.406 X 30.56		12176389	A8		M3644258 C17510 AT AG/NI PLTD	0.8-1	2.03-3.12	19	101	3.2 ±0.4
			0.406 X 30.56		12176388	A7		M3644258 C17510 AT AG/NI PLTD	2-3	2.45-3.80	13	103	4 ±0.4
			0.406 X 30.56		12176387	A7		M3644258 C17510 AT AG/NI PLTD	5	3.49-3.65	12	103	4.6 ±0.4
			0.406 X 30.56		12129493	C8		M1574258 C42500 EX HD SN PLTD	2-3	2.45-3.80	13	103	4 ±0.4
			0.406 X 30.56		12084201	E11		M1574258 C42500 EX HD SN PLTD	0.35-0.5	1.84-2.51	21	101	2.4 ±0.2
			0.406 X 30.56		12077413	E11		M1574258 C42500 EX HD SN PLTD	3	3.49-3.65	12	103	4.6 ±0.4
			0.406 X 30.56		12077412	E9		M1574258 C42500 EX HD SN PLTD	1-2	2.48-3.05	15	103	3.7 ±0.4
			0.406 X 30.56		12077411	E11		M1574258 C42500 EX HD SN PLTD	0.5-0.8-1.0	2.03-3.12	19	101	3.2 ±0.4
			0.406 X 32.54		12045639	D8	OBSOLETE	P1519027 425 TIN BRS EX HD SN PLTD	3	3.49-3.65	12	102	4.6 ±0.4
			0.406 X 32.54		12034454	F8	OBSOLETE	P1519027 425 TIN BRS EX HD SN PLTD	1-2	2.48-3.05	15	102	3.7 ±0.4
			0.406 X 32.54		12020648	H8	OBSOLETE	P1519027 425 TIN BRS EX HD SN PLTD	0.5-0.8	2.03-3.12	19	101	3.2 ±0.4

(1) PROCESS SENSITIVE DIMENSION	
DIMENSIONS ENCLOSED IN () INDICATE REFERENCE DIMENSIONS AND NO TOLERANCE LIMITS ARE ESTABLISHED	
DIMENSIONAL RANGE (MM)	CHART D
FROM TO	> 12
TOLERANCE UNLESS OTHERWISE SPECIFIED	±0.1 ±0.2 ±0.3
ANGULAR TOLERANCE 2°	

PART DRAWING	
STYLE	D
VOLUME 10/11	DISTR CODE
UNLESS OTHERWISE SPECIFIED THIS DOCUMENT IS IN ACCORDANCE WITH ASME Y14.5M-1994 AS AMENDED BY THE IN-SITU DIMENSIONING AND TOLERANCE ADDENDUM-2001. SEPARATE WRITINGS OR REFERENCES MAY BE BASED SEPARATELY PERMISSIBLE OF DATUM REFERENCES.	
ALL DIMENSIONS ARE IN MILLIMETERS	
THIRD ANGLE PROJECTION	DO NOT SCALE
USE MATH DATA	

DELPHI
DELPHI PACKARD ELECTRICAL/ELECTRONIC ARCHITECTURE
NAPER, OH

DR	DATE
AP/VD1 JORGE IBARRA	29MY98
AP/VD2 OSCAR OCHOA	02JN98
AP/VD3 O. GALLEGOS	16JL98
AP/VD4	
AP/VD5	

SUBSTANCES OF CONCERN AND RECYCLED CONTENT PER DELPHI 10949001

WATER/PA SEE CHART

DRAWING NAME
TAXI TERM F M/P 280 SEALED

DRAWING NUMBER
12089195

SIZE	SCALE	FRAME NO	SHEET NO	STG	REV	N/P
A0	10:1	11	1	1	07	-