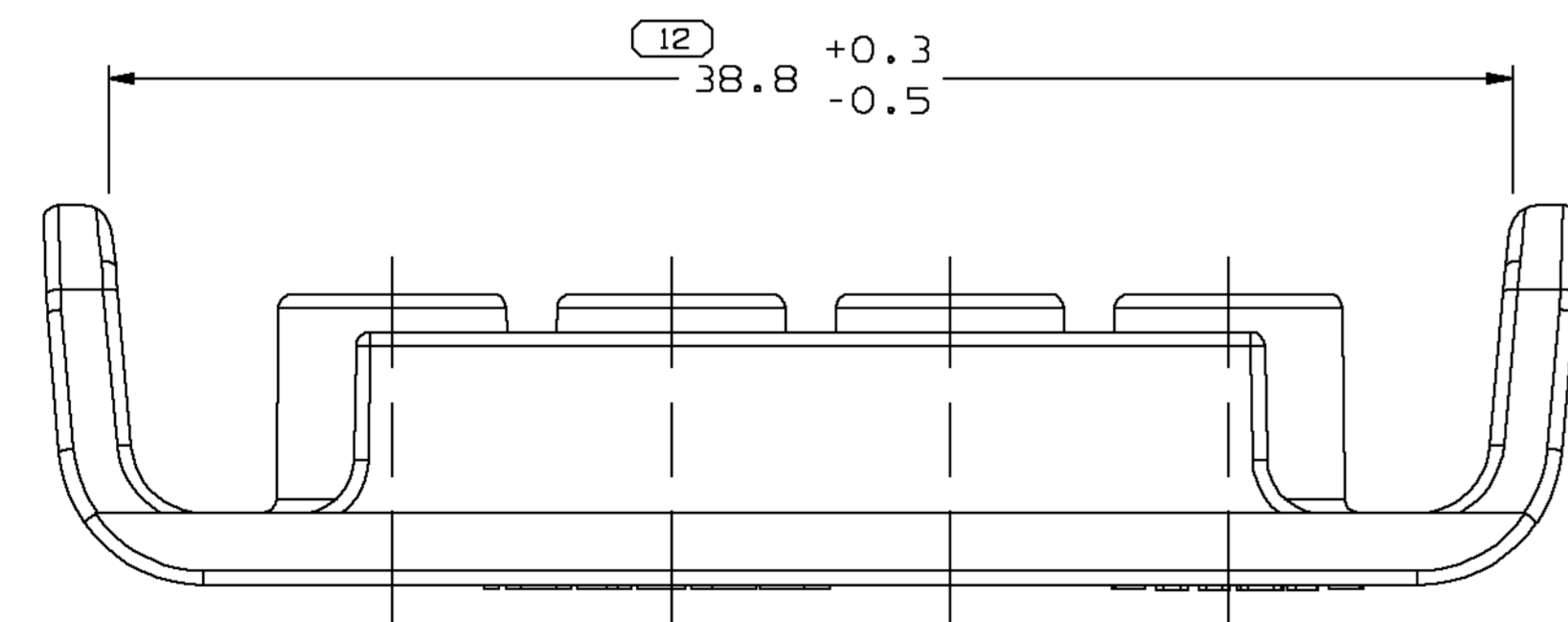
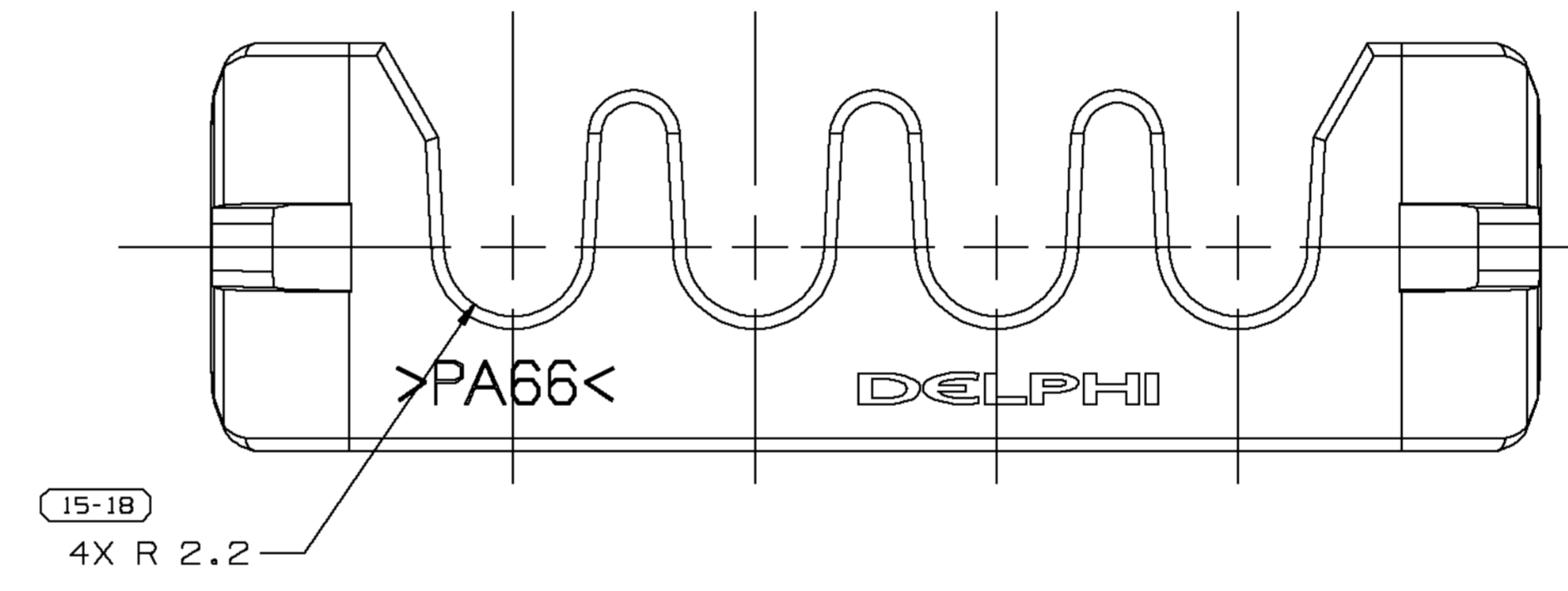
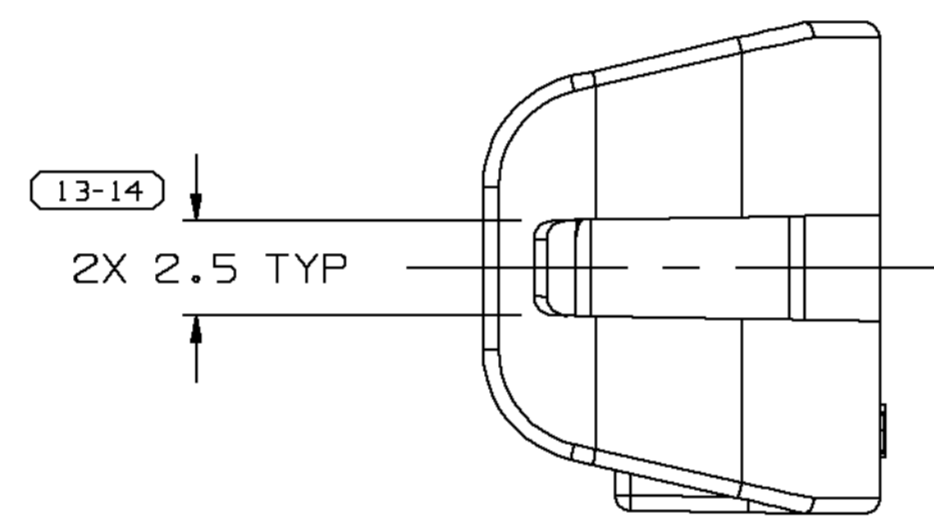
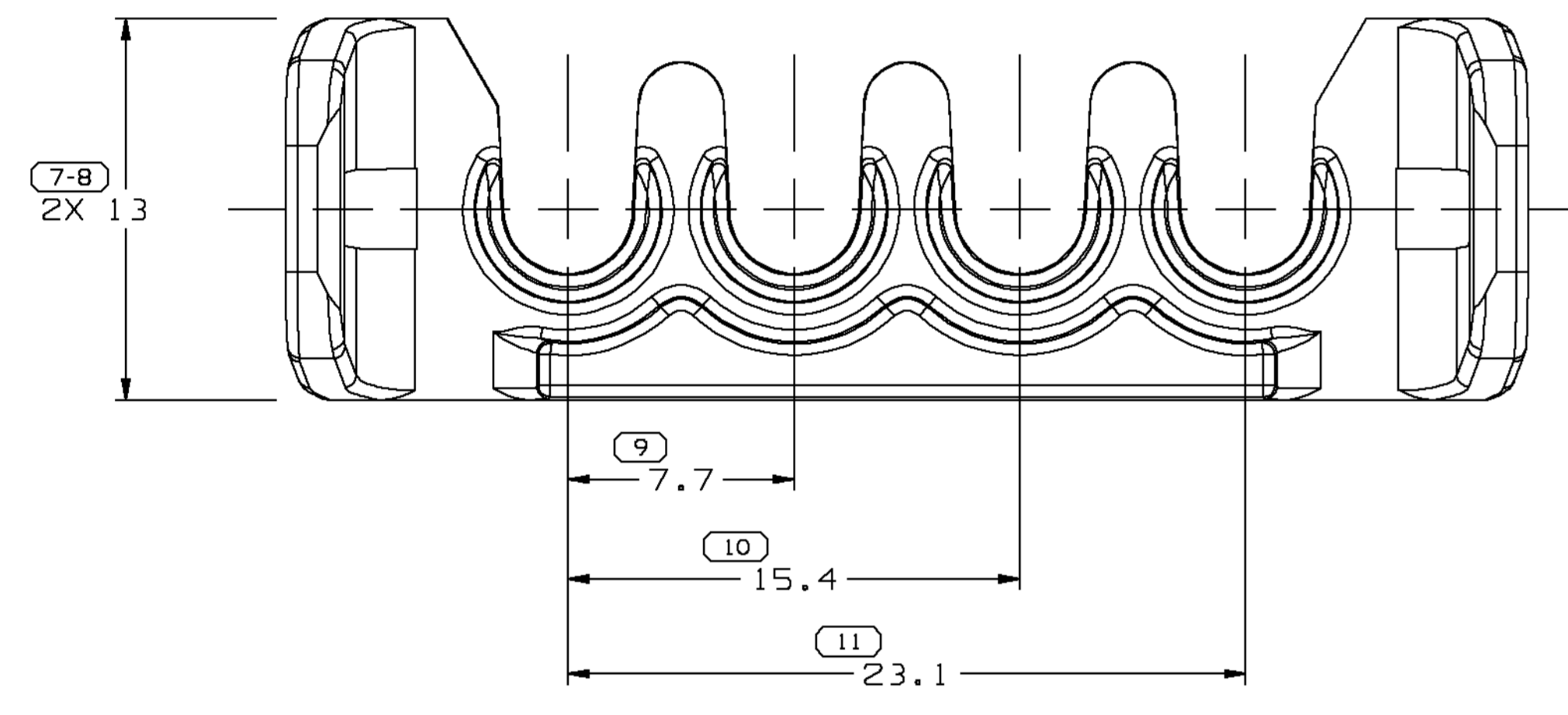
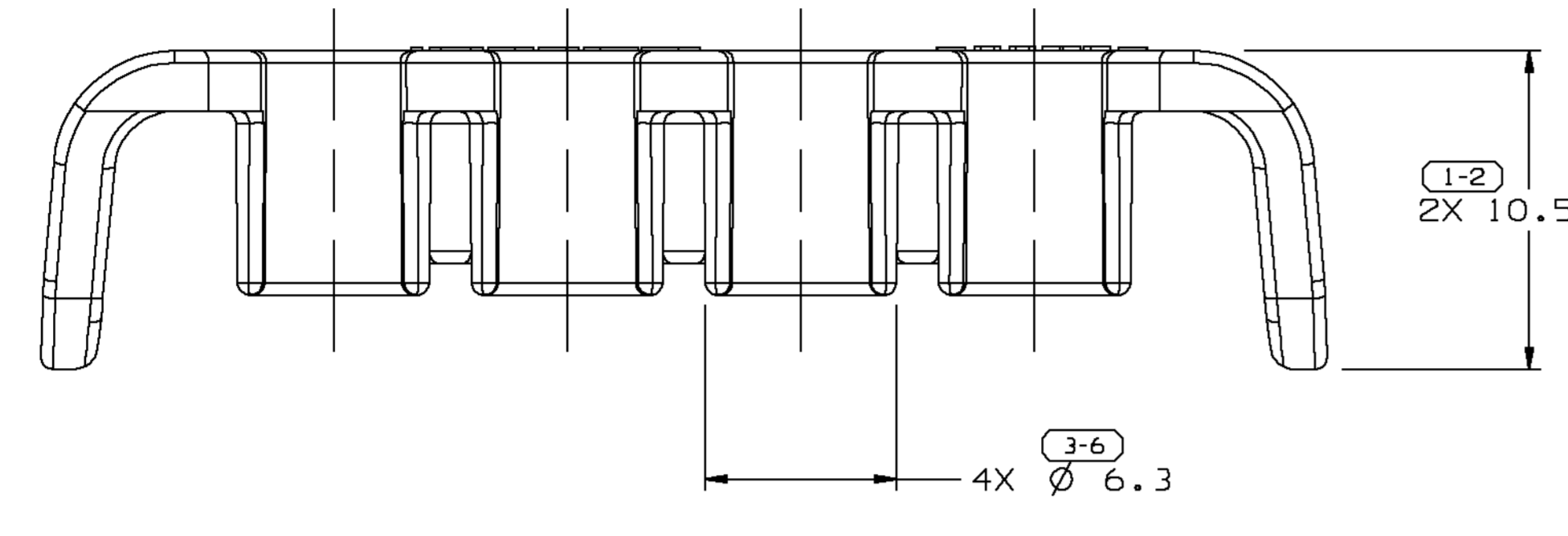


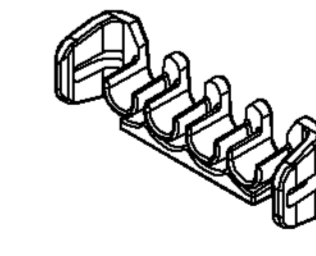
SYMBOL DEFINITION		MISSING NUMBERS	
A DIMENSION WITHOUT AN INSPECTION REPORT SYMBOL  DOES NOT REQUIRE INSPECTION. IT MAY BE CONTROLLED ON AN INDIVIDUAL COMPONENT DRAWING.	TOTAL NO. OF SYMBOLS ON DRAWING	9	
	LAST NO. USED	18	

DWG STATUS				REVISION HISTORY				AUTH	DR	APVD	APVD	
DATE	STG	REV	N/P	CHG	ZONE							
27NO01	R	01	-	-		CLEARED REV COL & ALL PARTS - REVISED MAT'L SPEC				217701	JAN/RVP	RC

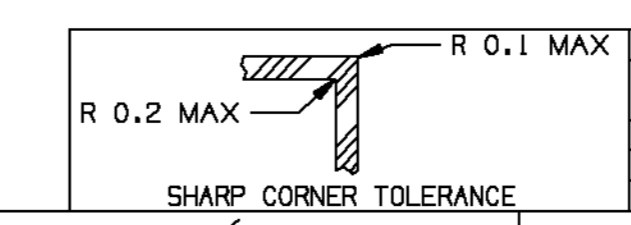


NOTES

- UNLESS OTHERWISE SPECIFIED AND/OR INDICATED: DIMENSIONS ARE TO FACE OF VIEW SHOWN AND AUTOMATICALLY ROUNDED BY COMPUTER FOR INSPECTION. (SEE MATH MODEL FOR PRECISE DIMENSIONS.) FOR ALL OTHER DIMENSIONS NOT SHOWN BUT REQUIRED FOR TOOL BUILD, SEE MATH MODEL FOR PRECISE TOOL PATH DATA.
- THIS PART IS NOT CONTROLLED FOR AUTOMATIC FEEDING.
- MATING COMPONENTS OR EQUIVALENT: CONNECTOR 12092734
- MAXIMUM CABLE DIAMETER THAT WILL FIT PART IS  $\phi$  4
- MATERIAL RECYCLING CODE >PA66< PER SAE J1344. (2.3)X(0.1) RAISED CHARACTERS AS SHOWN TO BE LOCATED ON ANY EXTERIOR SURFACE. OPTIONAL CONSTRUCTION TO BE NO MATERIAL RECYCLING CODE.
- (2.3)X(0.1) RAISED DELPHI CORPORATE BRAND TO BE LOCATED ON ANY EXTERIOR SURFACE, PREFERABLY VISIBLE AT FINAL ASSEMBLY. OPTIONAL CONSTRUCTION TO BE "PED" OR NO LOGO.



PART NO	STG	REV	N/P	STATUS	TYPE	MATERIAL SPECIFICATION AND COLOR	VOLUME CM <sup>3</sup>
15336643	R	03	-			M3592001 - PA66 HS IM BLK	1.474
15324063	R	02	-			M3592008 - PA66 HS IM BLU	1.474



FROM	TO	DIMENSIONAL RANGE (MM)	TOLERANCE UNLESS OTHERWISE SPECIFIED	CHART ET
0	20	> 0	±0.1	1
20	30	> 20	±0.15	2
30	70	> 30	±0.2	3
70	100	> 70	±0.3	4
100	150	> 100	±0.4	5
150	200	> 150	±0.5	6
200	250	> 200	±0.6	7
250	300	> 250	±0.8	8
300	400	> 300	±1	9
		> 400	±1.2	10

DWO TYPE		PART DRAWING	
STYLE	SEE CHART	DISTR CODE	D
VOLUME (CM <sup>3</sup> )	6900		
UNLESS OTHERWISE SPECIFIED			
THIS DOCUMENT IS IN ACCORDANCE WITH ASME Y14.5M-1994 AS AMENDED BY THE 2003 DIMENSIONING AND TOLERANCING ADDENDUM - 1997. ALL GEOMETRIC TOLERANCES AND RELATED DATUMS APPLY TO ALL DIMENSIONS UNLESS OTHERWISE SPECIFIED. DIMENSIONS ARE IN MILLIMETERS UNLESS OTHERWISE SPECIFIED. SEPARATE POSITION TOLERANCES MAY BE BASED SEPARATELY. ALL DIMENSIONS ARE IN MILLIMETERS.			
THIRD ANGLE PROJECTION	DO NOT SCALE	USE MATH DATA	UNIGRAPHICS

**DELPHI**  
DELPHI PACKARD ELECTRIC SYSTEMS  
WARREN, OH

DR	DATE
APVD1 D. ACEVEDO	17MY99
APVD2 C. MIRANDA	17MY99
APVD3 Q. GALLEGOS	20MY99
APVD4	
APVD5	

MATERIAL: SUBSTANCES OF CONCERN AND RECYCLED CONTENT PER DELPHI 10949001

SEE CHART

DRAWING NAME: TAXI LOCK TPA M/P 280 N/A

DRAWING NUMBER: 15324819

SIZE: A0 SCALE: 5:1 FRAME NO: 1 OF 1 SHEET NO: 1 OF 1 STG: REV: N/P: RC