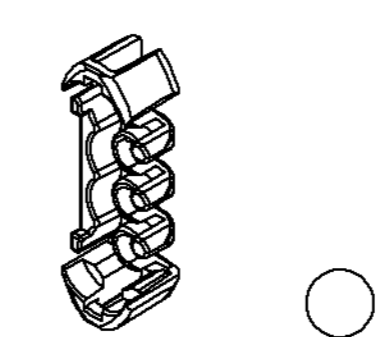
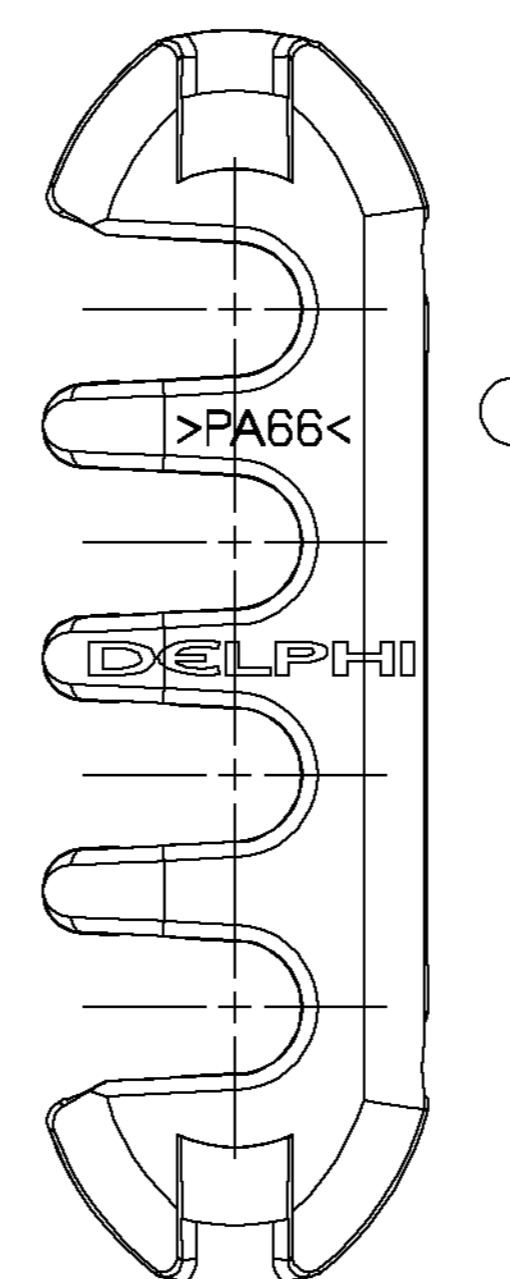
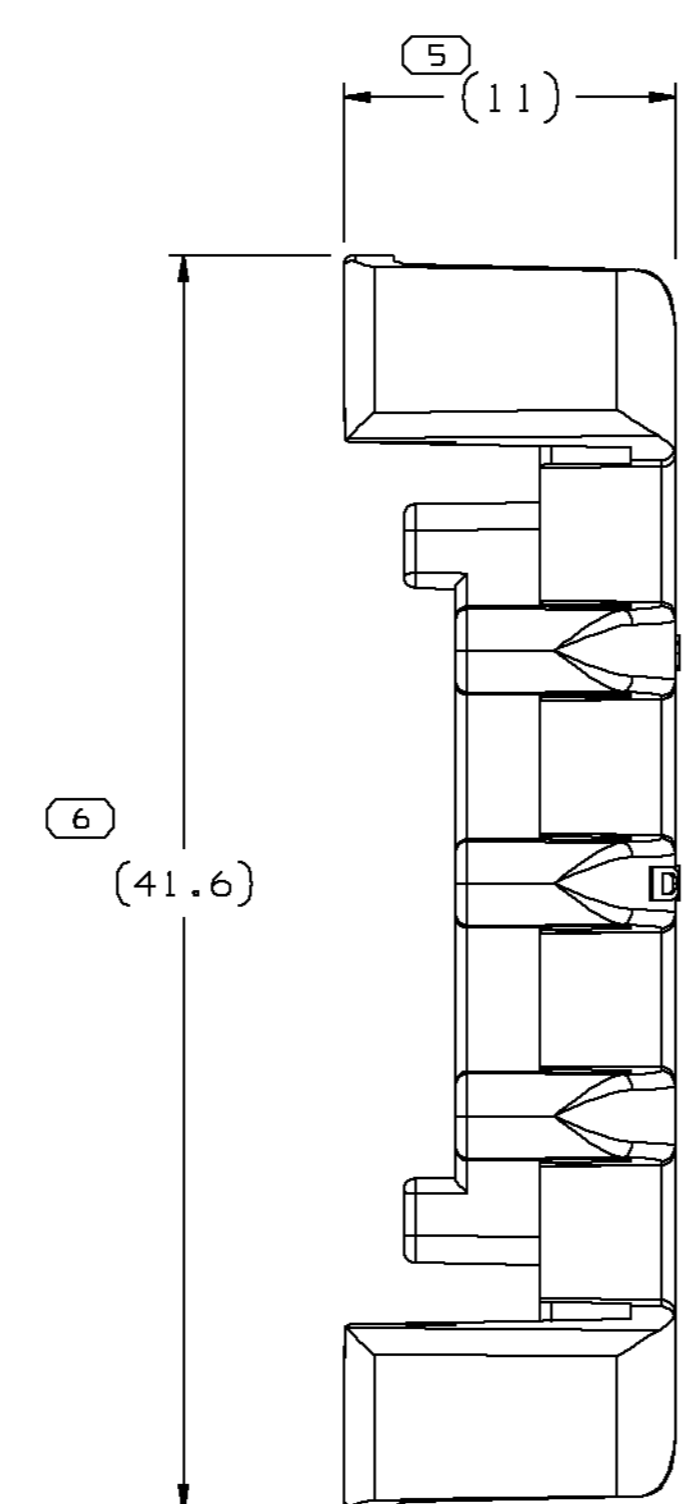
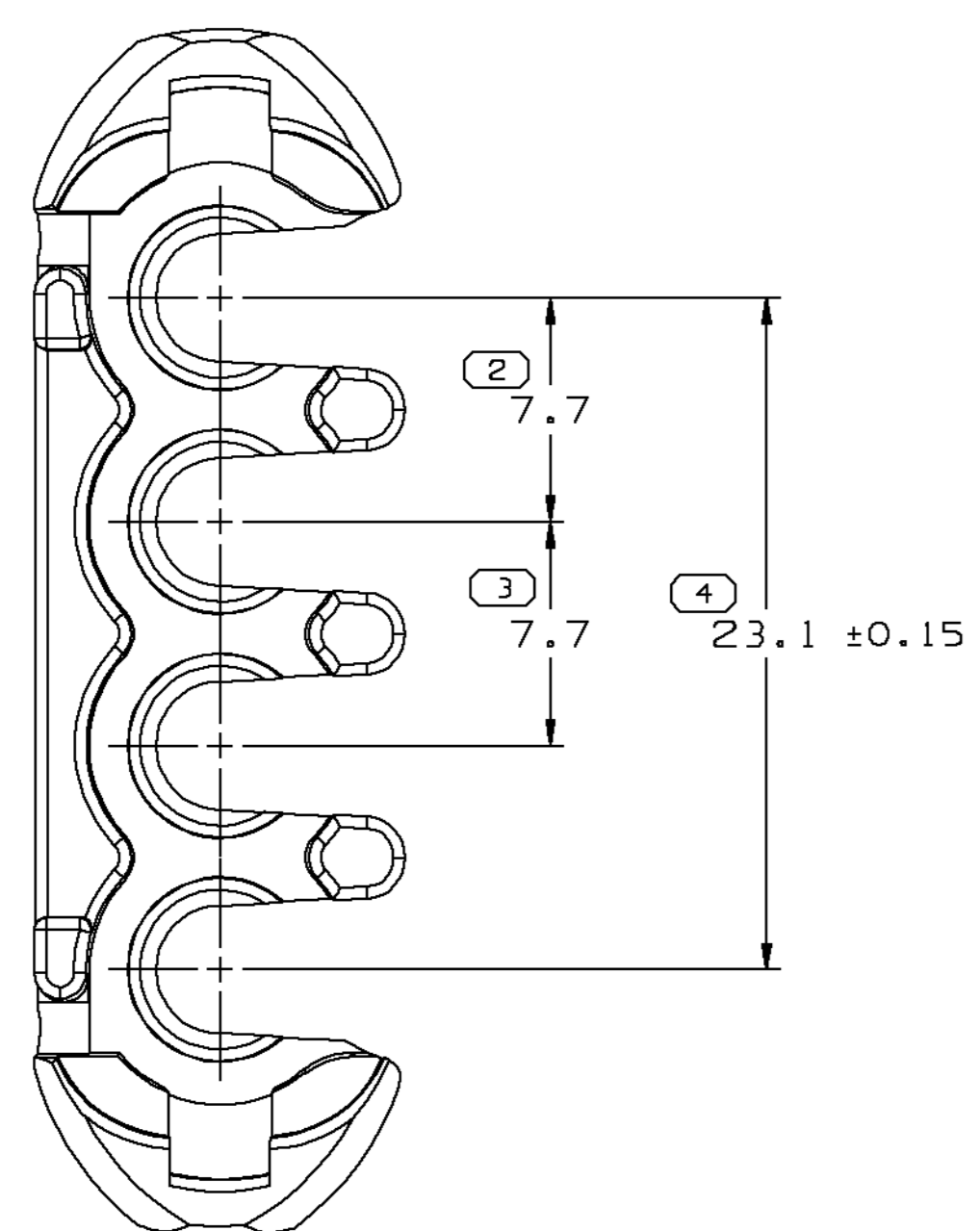
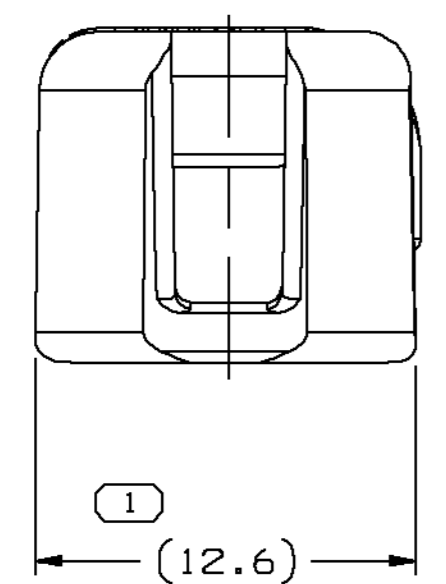


SYMBOL DEFINITION				MISSING NUMBERS		DWG STATUS			REVISION HISTORY			AUTH	DR	CK	APVD	
DATE	STG	REV	CHG	N/P	ZONE	DATE	STG	REV	CHG	N/P	ZONE					
12N001	R	003	-	-												
12N001	R	003	-	AA												

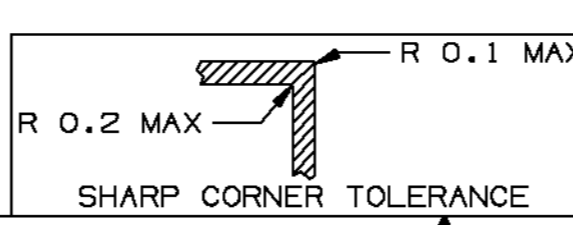


NOTES

- UNLESS OTHERWISE SPECIFIED AND/OR INDICATED: DIMENSIONS ARE TO FACE OF VIEW SHOWN AND AUTOMATICALLY ROUNDED BY COMPUTER FOR INSPECTION. (SEE MATH MODEL FOR PRECISE DIMENSIONS.) FOR ALL OTHER DIMENSIONS NOT SHOWN BUT REQUIRED FOR TOOL BUILD, SEE MATH MODEL FOR PRECISE TOOL PATH DATA. LOCKING FEATURES ARE IDENTICAL
- MATING COMPONENTS OR EQUIVALENT: CONNECTOR 15300010
- THIS PART IS NOT CONTROLLED FOR AUTOMATIC FEEDING.
- MAX CABLE DIAMETER THAT WILL FIT PART IS ϕ 4.2
- MATERIAL RECYCLING CODE >PA66< PER SAE J1344. (2,3)X(0.1) RAISED CHARACTERS AS SHOWN TO BE LOCATED ON ANY EXTERIOR SURFACE. OPTIONAL CONSTRUCTION TO BE NO MATERIAL RECYCLING CODE.
- (1.75)X(0.1) RAISED DELPHI CORPORATE BRAND TO BE LOCATED ON ANY EXTERIOR SURFACE, PREFERABLY VISIBLE AT FINAL ASSEMBLY. OPTIONAL CONSTRUCTION TO BE "PED" OR NO LOGO.

DELPHI Automotive Systems			
MATERIAL SPEC M3592001 - PA66 IM HS BLK			
SUBSTANCES OF CONCERN AND RECYCLED CONTENT PER DELPHI-A 10949001			
PART DRAWING			DISTR CODE D
CODE NUMBER 6900	DWG DATE 04JNB4	SCALE 4:1	
QC SPEC	STYLE	VOLUME cm ³ 1.553	
PART GEOMETRY 3D SOLID	UNLESS OTHERWISE SPECIFIED: THIS DOCUMENT IS IN ACCORDANCE WITH ASME Y14.5M - 1994 AS AMENDED BY THE GM GLOBAL DIMENSIONING AND TOLERANCING ADDENDUM - 1997. ALL GEOMETRIC TOLERANCES AND RELATED DATUMS APPLY RFS. RULE #1 (PERFECT FORM AT MMC) DOES NOT APPLY WHEN RELATIONSHIP BETWEEN FEATURES IS ESTABLISHED BY ORIENTATION OR LOCATION TOLERANCES. SEPARATE POSITION CALLOUTS MAY BE GAGED SEPARATELY REGARDLESS OF DATUM REFERENCES.		
UG CHANGE RESTRICTED NO MANUAL CHANGES	REFERENCE	DR	DATE
COPY OF MATH DATA DO NOT SCALE		APVD1 J. THOMAS	04JNB4
		APVD2 A. SWARTZ	22JNB4
		APVD3 F. MLAKAR	13JLB4
		APVD4	
		APVD5	
METRIC UNLESS OTHERWISE SPECIFIED, ALL DIMENSIONS ARE IN MILLIMETERS	DRAWING NAME TPA M/P 280		
THIRD ANGLE PROJECTION			
SHEET NUMBER 1 OF 1	DRAWING NUMBER 15300016	DWG STATUS R 003 AA	SIZE A1

DIMENSIONAL RANGE (MM)		CHART E1	
FROM	TO	TOLERANCE UNLESS OTHERWISE SPECIFIED	ANGULAR TOLERANCE ± 2°
0	> 20	±0.15	
> 20	> 30	±0.2	
> 30	> 70	±0.3	
> 70	> 100	±0.4	
> 100	> 150	±0.5	
> 150	> 200	±0.6	
> 200	> 250	±0.8	
> 250	> 300	±1	
> 300	> 400	±1.2	



5 PROCESS SENSITIVE DIMENSION
DIMENSIONS ENCLOSED IN () INDICATE REFERENCE DIMENSIONS AND NO TOLERANCE LIMITS ARE ESTABLISHED