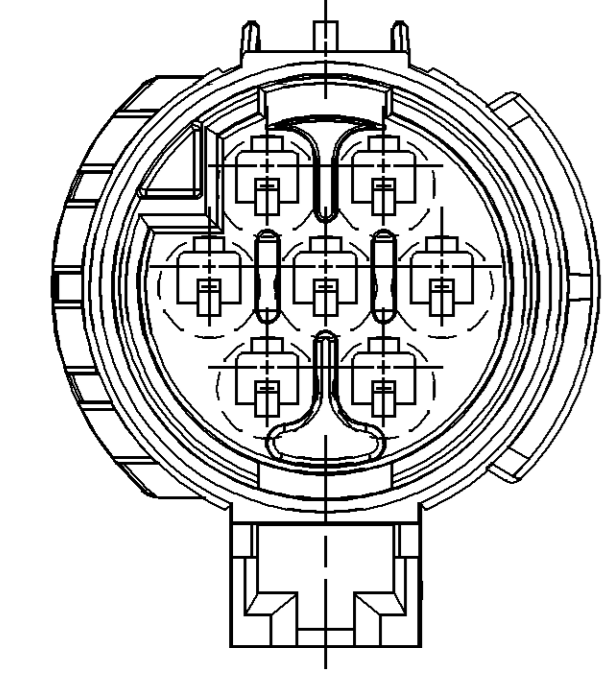
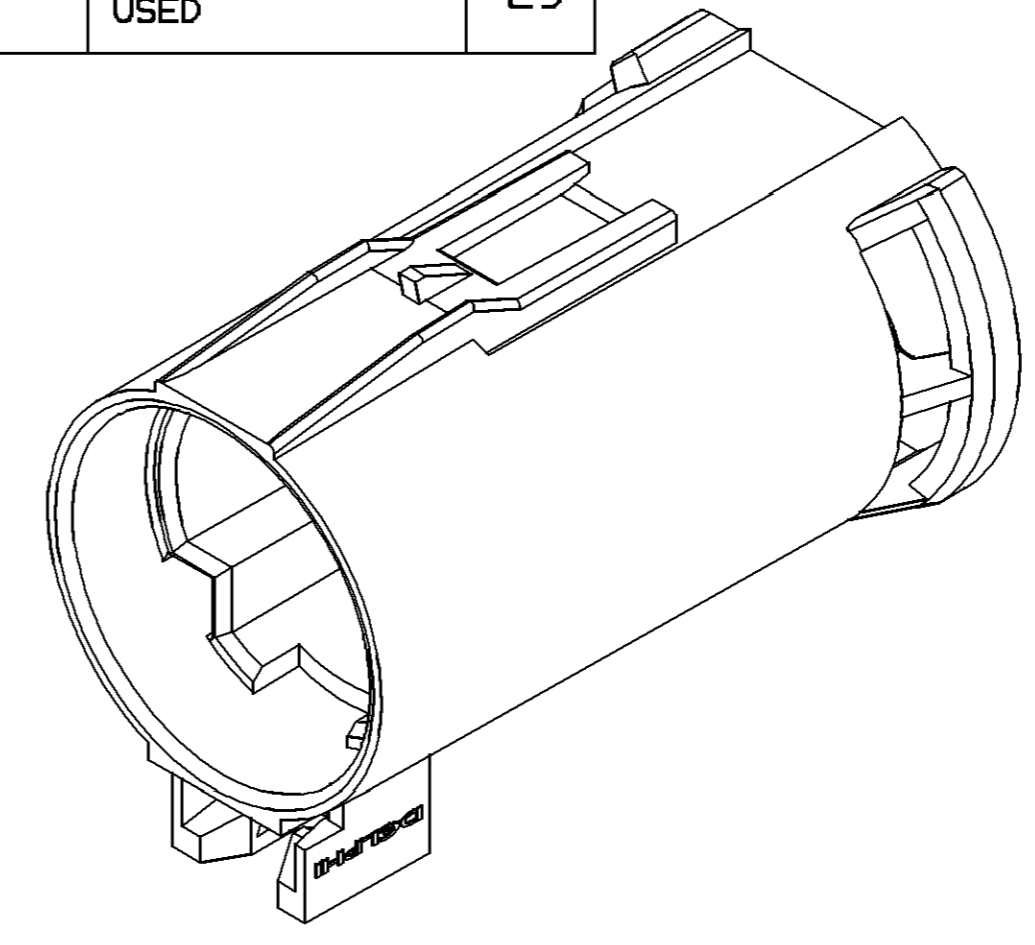
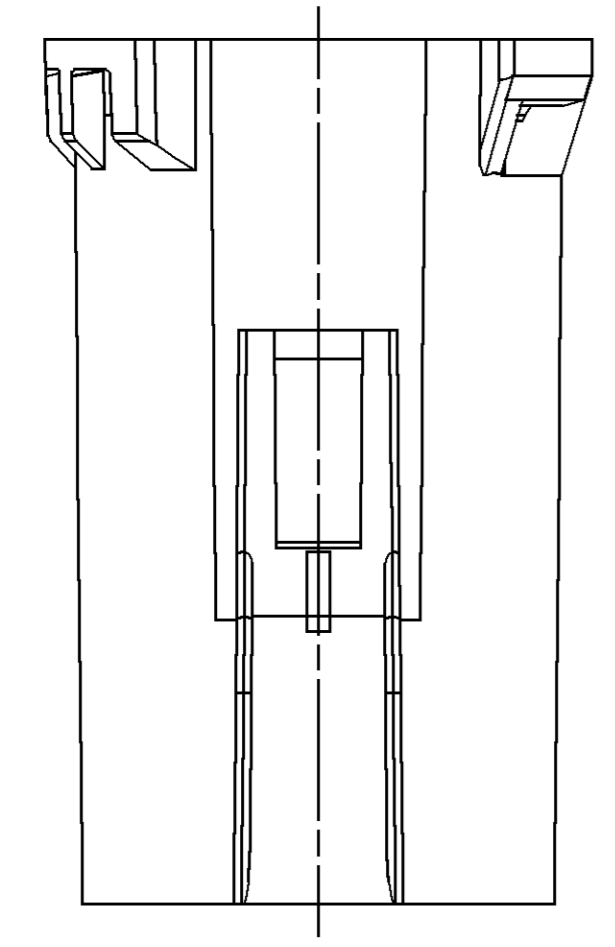
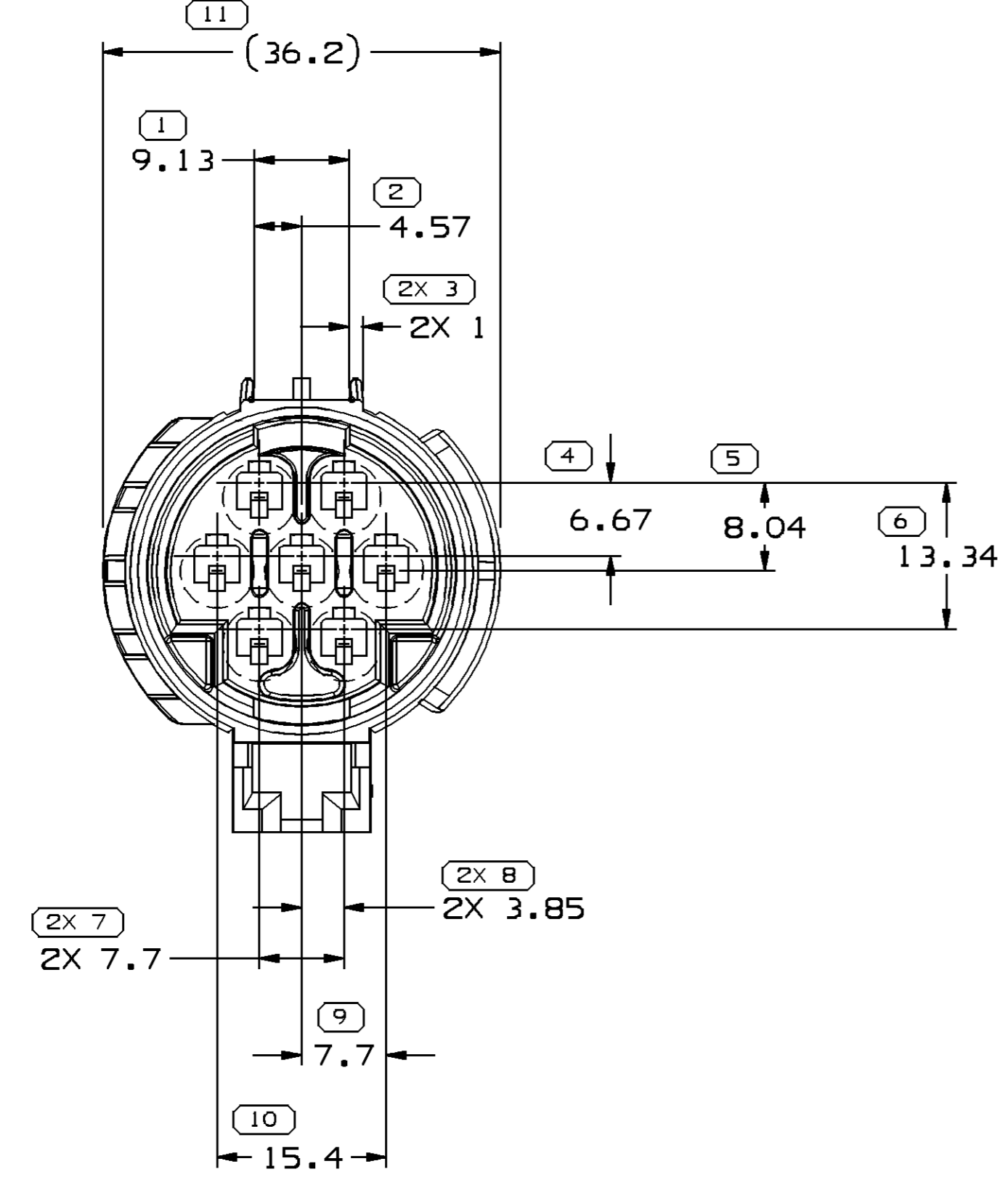


SYMBOL DEFINITION		MISSING SYMBOLS	
A DIMENSION WITHOUT AN INSPECTION REPORT SYMBOL DOES NOT REQUIRE INSPECTION. IT MAY BE CONTROLLED ON THE INDIVIDUAL COMPONENT DRAWING.	TOTAL NO OF INSPECTIONS REQUIRED	NO MISSING SYMBOL NUMBER	29
	LAST NO. USED		23

DWG STATUS				ZONE	REVISION HISTORY	AUTH	DR	APVD1	APVD2
DATE	STG	REV	N/P						
29AUG05	R	01	-	-	CLEARED REV COL, REDRAWN TO PD; ALL PARTS - ADDED NON STD DELPHI LOGO & RECYCLING NOTES, 12146840 - MAT'L SPEC WAS R0071753 AND 12129614, 12110753 - UPDATED MAT'L SPEC	270871	RTV	AUG	EST
19JUN07	R	02	-	-	ALL PARTS - REVISED MAT'L SPECS & NOTES; DIM #15 PROCESS SENSITIVE DIMENSION	401681	JS	JS	WTM
09JUL07	R	03	-	-	ALL PARTS - DIM #19 (41.27) WAS (41.44)	401789	JS	JS	WTM

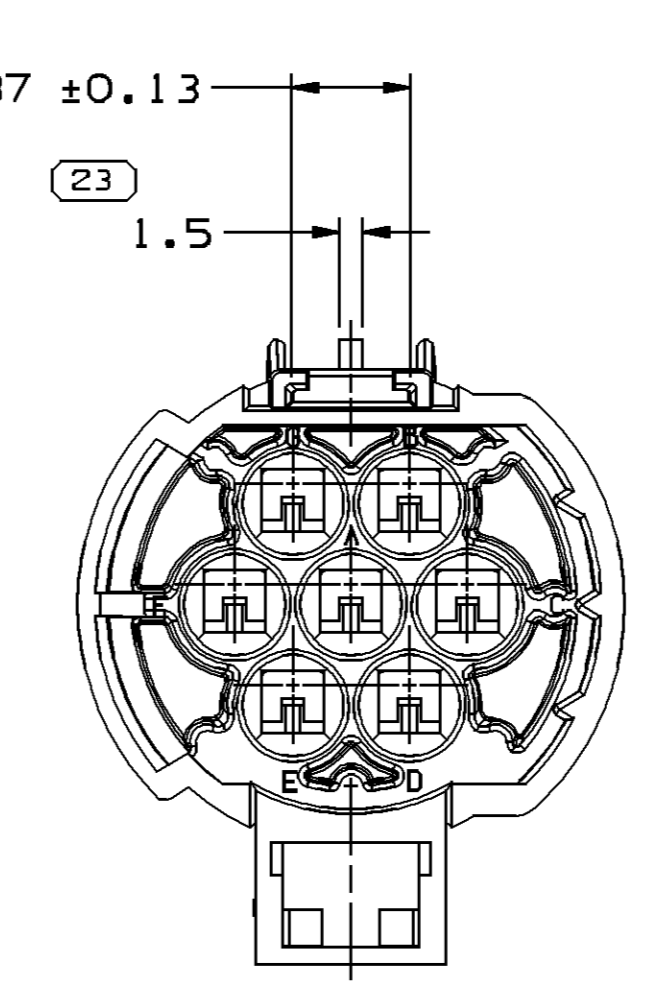
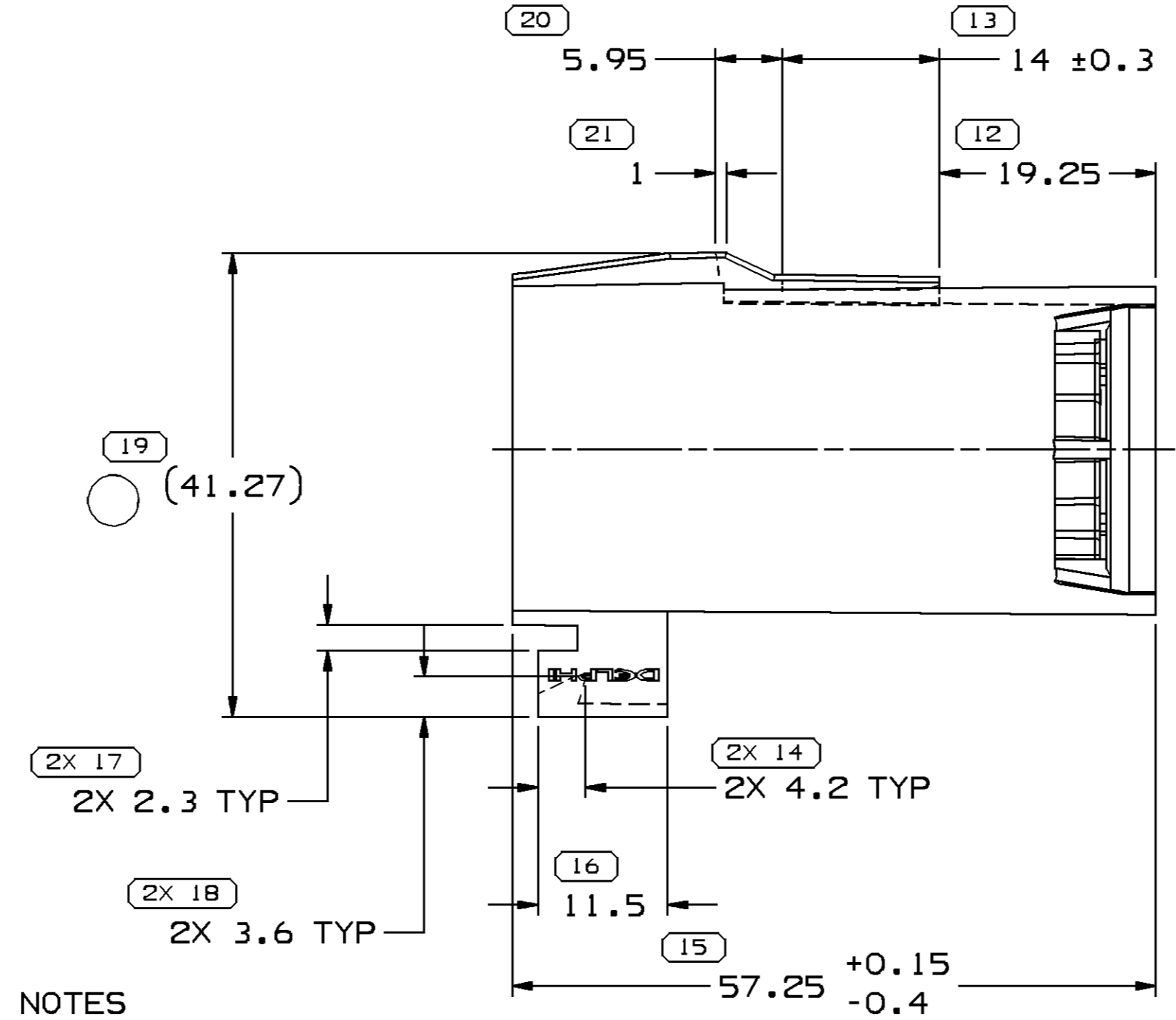
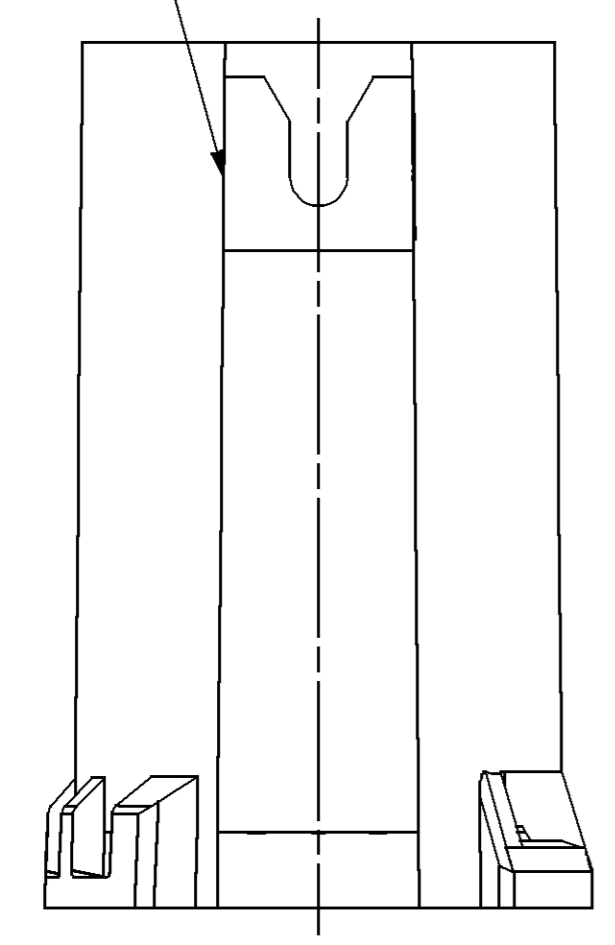


TYPE 102
SAME AS TYPE 101
EXCEPT AS SHOWN



TYPE 101

MATERIAL RECYCLING CODE OPTIONAL



- NOTES
- UNLESS OTHERWISE SPECIFIED AND/OR INDICATED:
DIMENSIONS ARE TO FACE OF VIEW SHOWN AND AUTOMATICALLY ROUNDED BY COMPUTER FOR INSPECTION (SEE MATH MODEL FOR PRECISE DIMENSIONS). FOR ALL OTHER DIMENSIONS NOT SHOWN BUT REQUIRED FOR TOOL BUILD, SEE MATH MODEL FOR PRECISE TOOL PATH DATA.
 - REFERENCE MATING COMPONENTS OR EQUIVALENT:
CONNECTOR 12110750
 - THIS PART ACCEPTS THE FOLLOWING COMPONENTS OR EQUIVALENT:
CABLE SEAL 12010295
TERMINAL 12040599
MAX. INSULATION CRIMP MUST BE LESS THAN 4 HIGH AND 4 WIDE.
SECONDARY TERMINAL LOCK 12110754
MAX CABLE O.D. 2.4
CONNECTOR POSITION ASSURANCE LOCK 12052834
 - SEALING CODE 3
 - MATING CONNECTOR AND SEAL ASSEMBLY SEE CHART
 - (2)X(0.1) RAISED DELPHI CORPORATE BRAND TO BE LOCATED ON ANY EXTERIOR SURFACE, PREFERABLY VISIBLE AT FINAL ASSEMBLY. OPTIONAL CONSTRUCTION TO BE "PED" OR NO LOGO.
 - MATERIAL SAVER FEATURE IS A NON FUNCTIONAL AREA ON THE COMPONENT.
 - THIS PRODUCT IS NOT CATEGORIZED AS AN APPEARANCE ITEM, MINOR IMPERFECTIONS INCLUDING, BUT NOT LIMITED TO, FLOW MARKS, COLOR BLEMISHES, GATE VESTIGE, AND SOFT FLASH THAT DO NOT AFFECT THE FIT, FORM, OR FUNCTION OF THE PART ARE PERMISSIBLE PER NAP 4.10-18.

PART NO	REV	N/P	STATUS	TYPE	MATERIAL SPECIFICATION AND COLOR	MATING CONNECTOR	VOL CM ³
12146840	03	AB	-	102	POLYAMIDE COMPOUND CRM	12146841	18.865
12129614	A2	-	-	101	POLYAMIDE COMPOUND GRA MD	12129613	18.800
12110753	C3	-	-	101	POLYAMIDE COMPOUND BLK	12110751	18.800

DIMENSIONAL RANGE (MM)		CHART ET	
FROM	TO	>	>
> 0	> 20	> 30	> 70
> 20	> 30	> 70	> 100
> 30	> 70	> 100	> 150
> 70	> 100	> 150	> 200
> 100	> 150	> 200	> 250
> 150	> 200	> 250	> 300
> 200	> 250	> 300	> 400

TOLERANCE UNLESS OTHERWISE SPECIFIED

±0.15	±0.2	±0.3	±0.4	±0.5	±0.6	±0.8	±1	±1.2
-------	------	------	------	------	------	------	----	------

ANGULAR TOLERANCE ±2°

DWG TYPE PART DRAWING	
STYLE	
VOLUME (CPI) SEE CHART	DISTR CODE D
UNLESS OTHERWISE SPECIFIED THIS DOCUMENT IS IN ACCORDANCE WITH ASME Y14.5M-1994 AS AMENDED BY THE GM GLOBAL DIMENSIONING AND TOLERANCING ADDENDUM-2001. SEPARATE PATTERNS OF FEATURES MAY BE GAGED SEPARATELY REGARDLESS OF DATUM REFERENCES.	
ALL DIMENSIONS ARE IN MILLIMETERS	
THIRD ANGLE PROJECTION	DO NOT SCALE USE MATH DATA

DELPHI
DELPHI PACKARD ELECTRICAL/ELECTRONIC ARCHITECTURE
WARREN, OH

DR	DATE
APVD1 BARBARA RUBERTO	22MY92
APVD2 BARBARA RUBERTO	22MY92
APVD3 ALAN HERRMANN	26MY92
APVD4	
APVD5	

SUBSTANCES OF CONCERN AND RECYCLED CONTENT PER DELPHI 10945001

MATERIAL
SEE CHART

DRAWING NAME
TAXI CONN M M/P 280 SLD

DRAWING NUMBER
12129817

SIZE	SCALE	FRAME NO	SHEET NO	STG	REV	N/P
A1	2:1	1 OF 1	1 OF 1	R	03	-