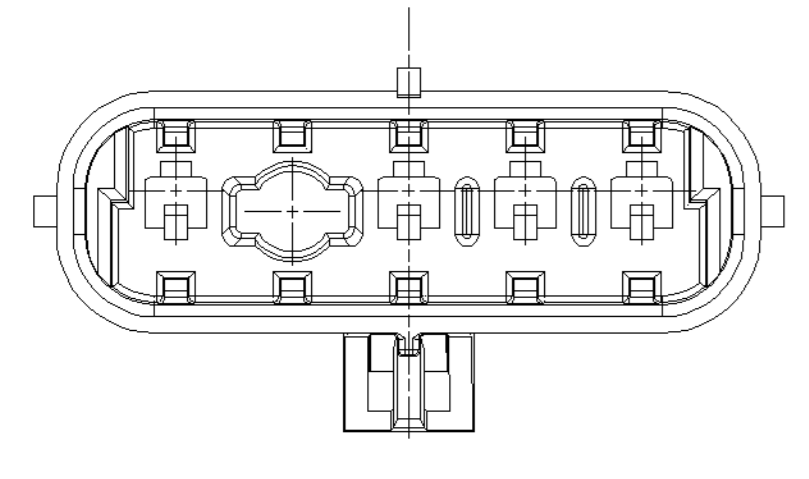


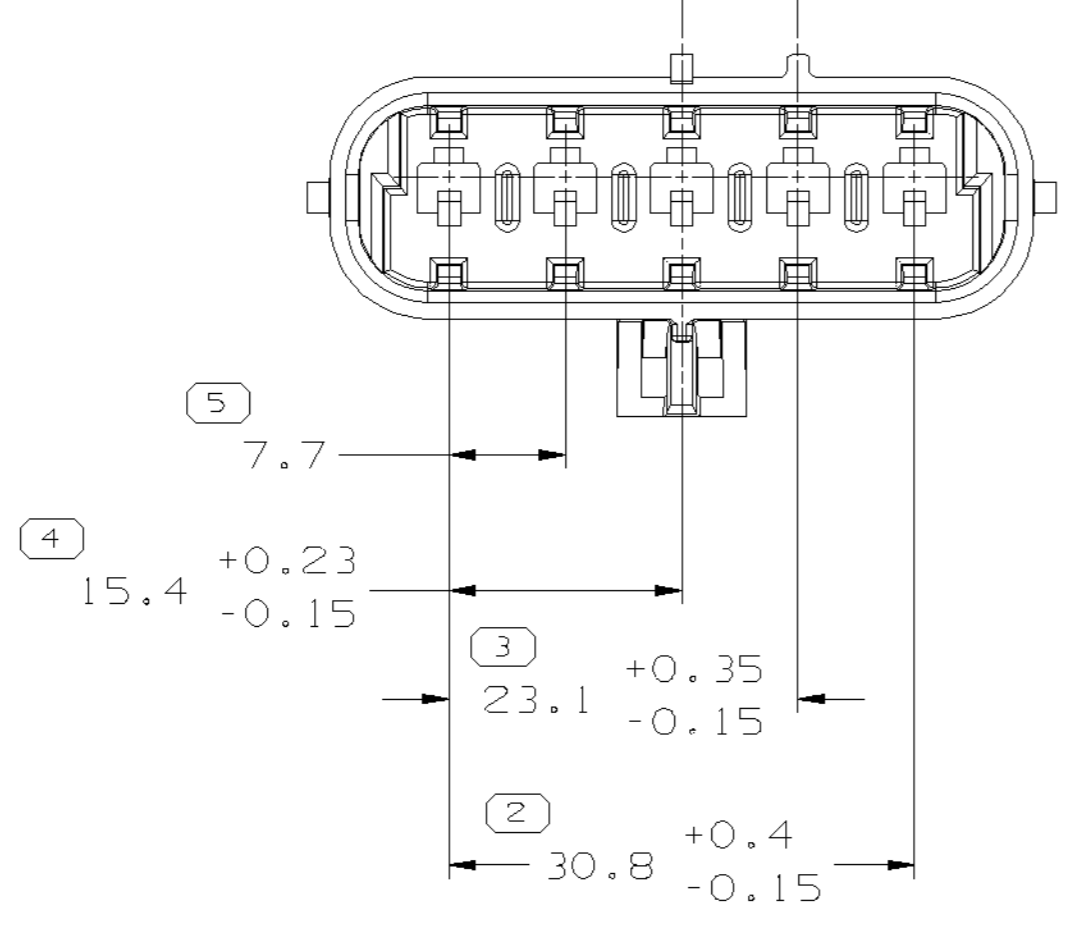
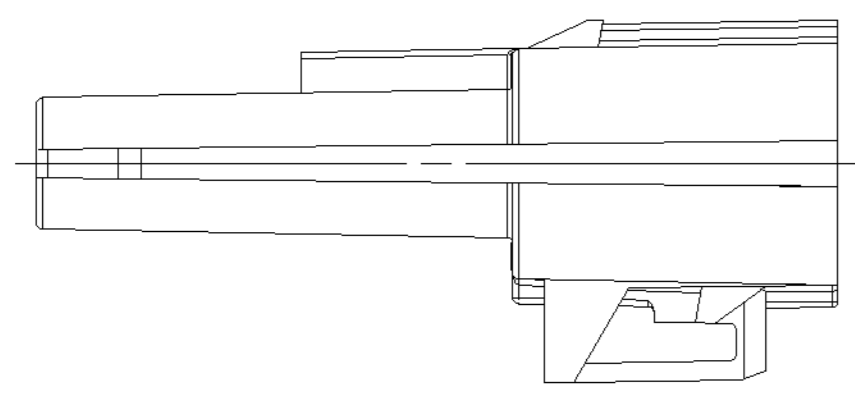
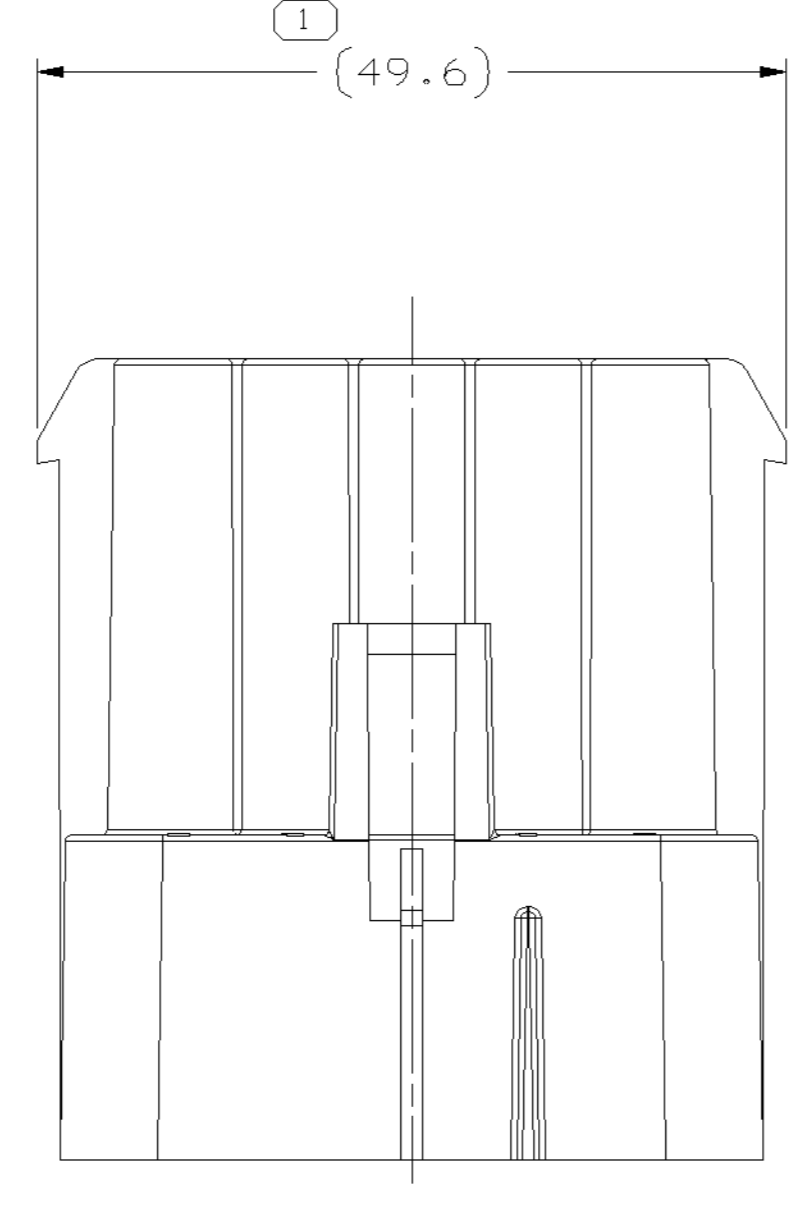
SYMBOL DEFINITION		MISSING SYMBOLS	
A DIMENSION WITHOUT AN INSPECTION REPORT SYMBOL DOES NOT REQUIRE INSPECTION. IT MAY BE CONTROLLED ON THE INDIVIDUAL COMPONENT DRAWING.	TOTAL NO OF INSPECTIONS REQUIRED	NO MISSING SYMBOL NUMBER	
	11		
	LAST NO. USED		
	10		

DWG STATUS					REVISION HISTORY					AUTH		APVD	
DATE	STG	REV	N/P	CHG	ZONE								
220C03	R	01	-	-						247B01	ARA	ARA	ET

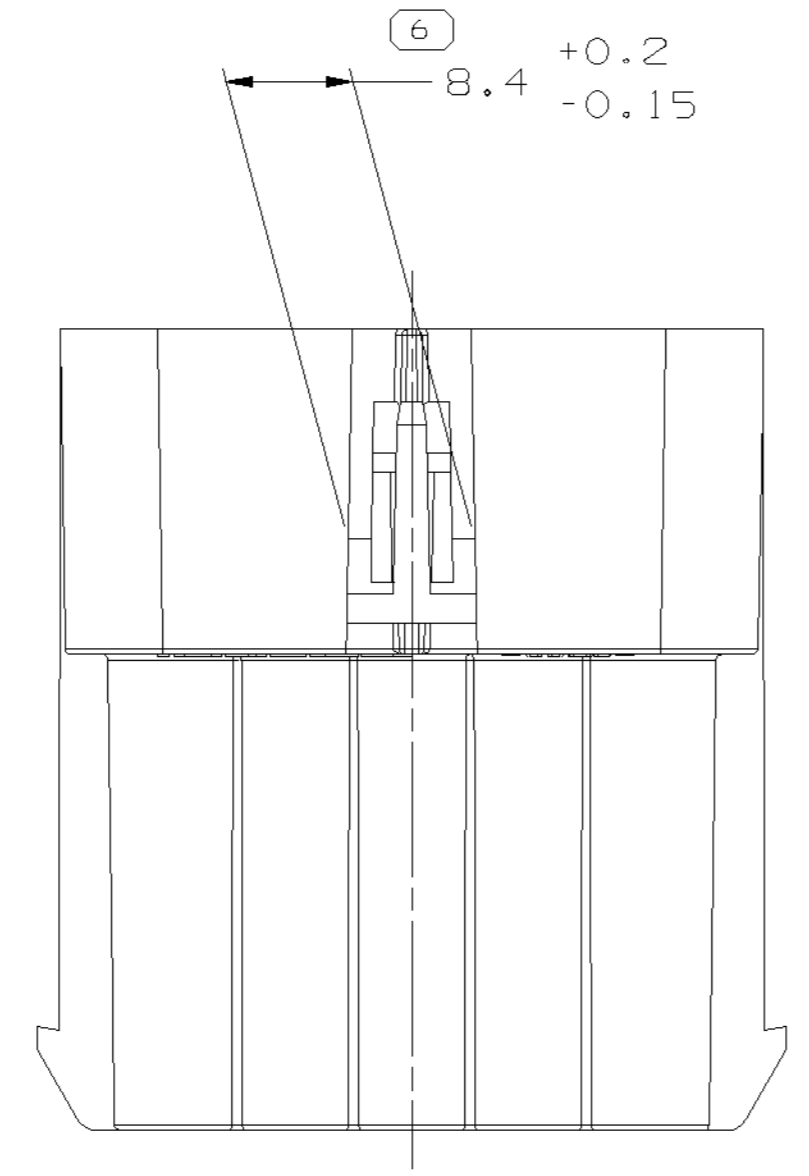
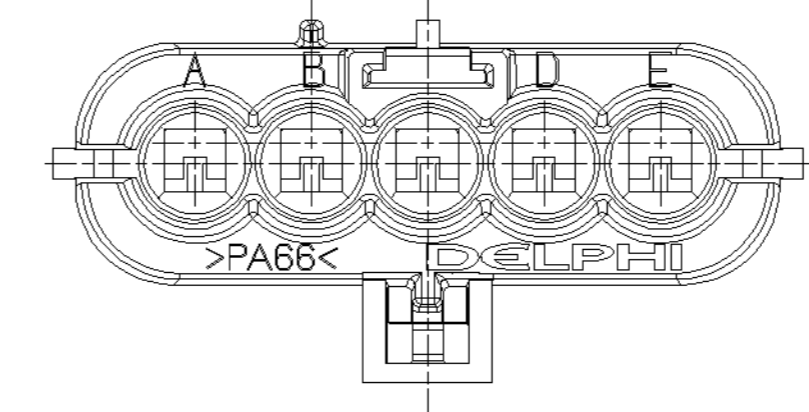
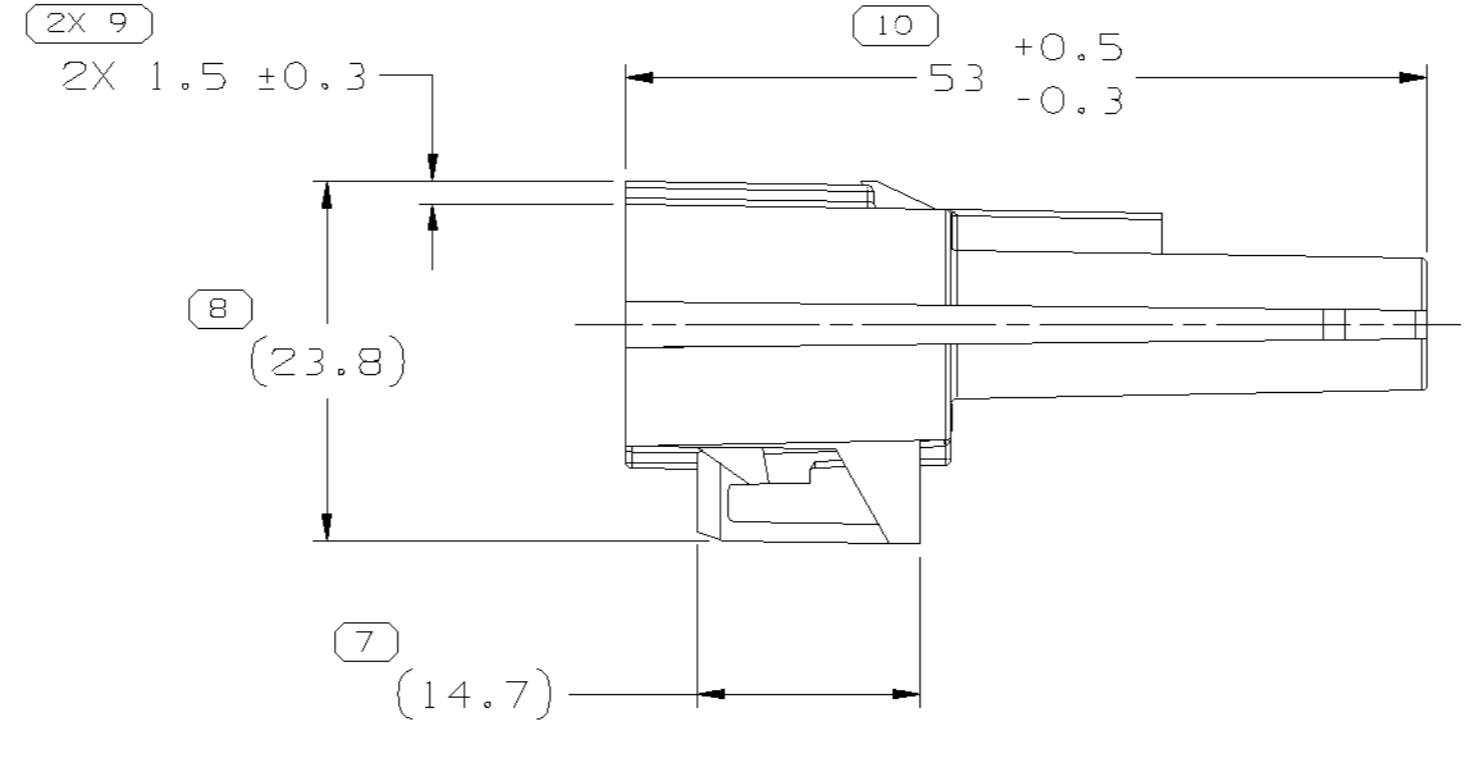
ALL PARTS: ADDED DELPHI LOGO & RECYCLING CODE: 12186400 - MAT'L SPEC WAS R0100119; 12186614 - MAT'L SPEC WAS R0100172 AND 12186579 - MAT'L SPEC WAS R0065924



TYPE 102
SAME AS TYPE 101
EXCEPT AS SHOWN

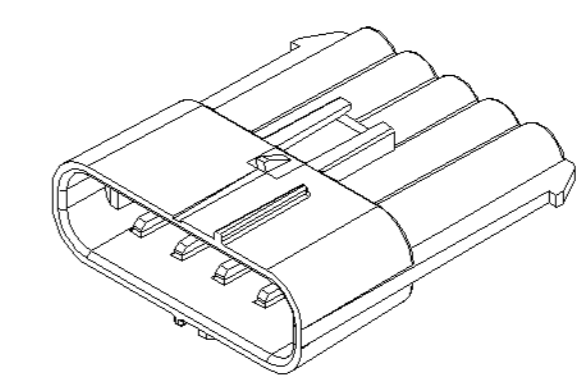


TYPE 101



NOTES

- UNLESS OTHERWISE SPECIFIED AND/OR INDICATED: DIMENSIONS ARE TO FACE OF VIEW SHOWN AND AUTOMATICALLY ROUNDED BY COMPUTER FOR INSPECTION (SEE MATH MODEL FOR PRECISE DIMENSIONS). FOR ALL OTHER DIMENSIONS NOT SHOWN BUT REQUIRED FOR TOOL BUILD, SEE MATH MODEL FOR PRECISE TOOL PATH DATA.
- MATERIAL RECYCLING CODE PER ISO 11469. (2.3)X(0.1) RAISED CHARACTERS AS SHOWN TO BE LOCATED ON ANY EXTERIOR SURFACE. OPTIONAL CONSTRUCTION TO BE NO MATERIAL RECYCLING CODE.
- THIS PART ACCEPTS THE FOLLOWING COMPONENTS OR EQUIVALENT: TERMINAL 12040559, CABLE SEAL 12015323, CONNECTOR POSITION ASSURANCE LOCK 12020833, TERMINAL POSITION ASSURANCE LOCK 12084673
- (2.3)X(0.1) RAISED DELPHI CORPORATE BRAND TO BE LOCATED ON ANY EXTERIOR SURFACE, PREFERABLY VISIBLE AT FINAL ASSEMBLY. OPTIONAL CONSTRUCTION TO BE "PED" OR NO LOGO.



PART NO	REV	N/P	STATUS	MATERIAL SPECIFICATION AND COLOR	RECYCLING CODE	TYPE	MATING ASM	INDEX RIBS	BLOCKED CAVITY	VOL CM ³
12186579	B2	-		M4692025 PA66 GF 33 HS GRA MD	PA66	103	12084891	1	-	12.139
12186614	A4	-		M4698030 PBT GF 30 BLK	PBT	102	12065862	0	D	11.819
12186400	A4	-		M4698003 PBT GF 30 GRA	PBT	101	12084891	1	-	12.139

DWO TYPE		PART DRAWING	
STYLE	SEE CHART	DISTR CODE	D
VOLUME (OV)	6901		
ROUTING			

DELPHI
DELPHI PACKARD ELECTRIC SYSTEMS
WARREN, OH

DR	DATE
M. ROMERO	22MY96
M. ROMERO	22MY96
G. GALLEGOS	14JN96

UNLESS OTHERWISE SPECIFIED
THIS DOCUMENT IS IN ACCORDANCE WITH ASME Y14.5M-1994
AS AMENDED BY THE DR 63-02. DIMENSIONING AND TOLERANCING HANDBOOK-2003. SEPARATE PATTERNING OF FEATURES MAY BE GIVEN SEPARATELY REGARDLESS OF DATUM REFERENCES.

ALL DIMENSIONS ARE IN MILLIMETERS

REFERENCE

DRAWING NAME
TAXI CONN M M/P 280 N/A

DRAWING NUMBER
12186613

SIZE A0 SCALE 2:1 FRAME NO 1 OF 1 SHEET NO 1 OF 1 STG REV N/P 1 R 01

DIMENSIONAL RANGE (MM)		TOLERANCE UNLESS OTHERWISE SPECIFIED	
FROM	TO	TOLERANCE	ANGULAR TOLERANCE
> 0	> 20	±0.15	±0.2°
> 20	> 30	±0.2	±0.3°
> 30	> 50	±0.3	±0.4°
> 50	> 100	±0.4	±0.5°
> 100	> 150	±0.5	±0.6°
> 150	> 200	±0.6	±0.8°
> 200	> 250	±0.8	±1°
> 250	> 300	±1	±1.2°
> 300	> 400	±1.2	±1.5°

