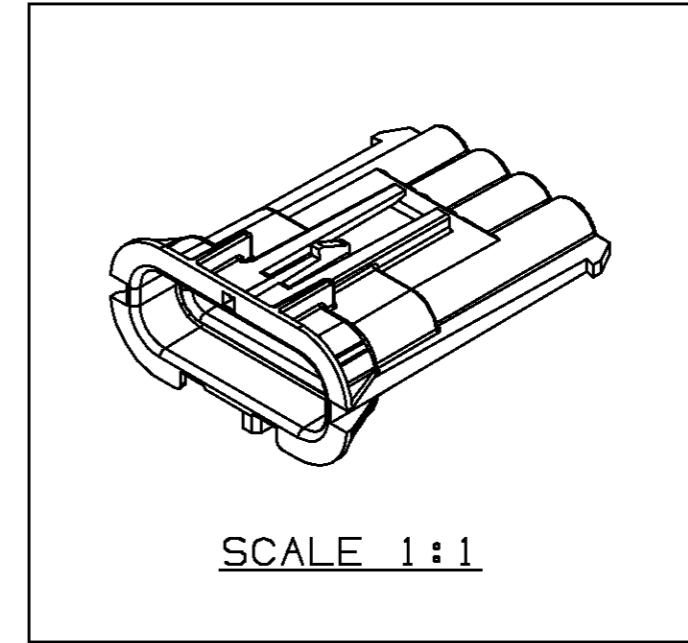
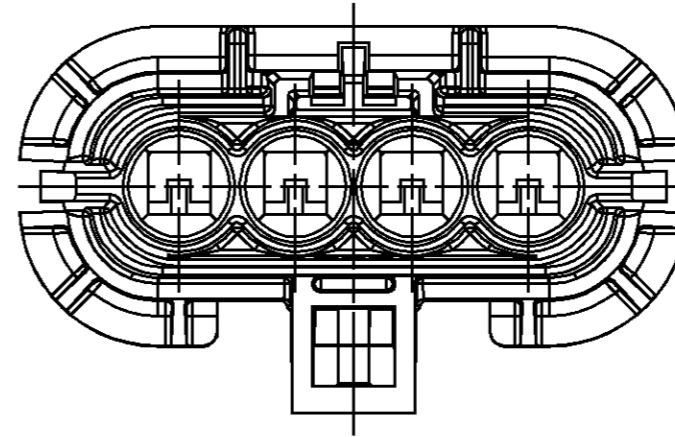
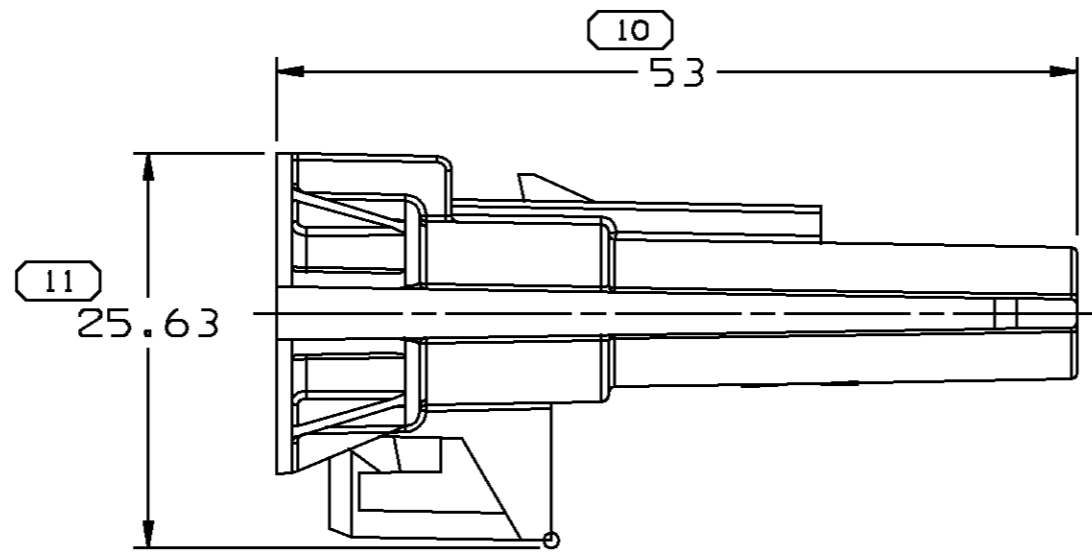
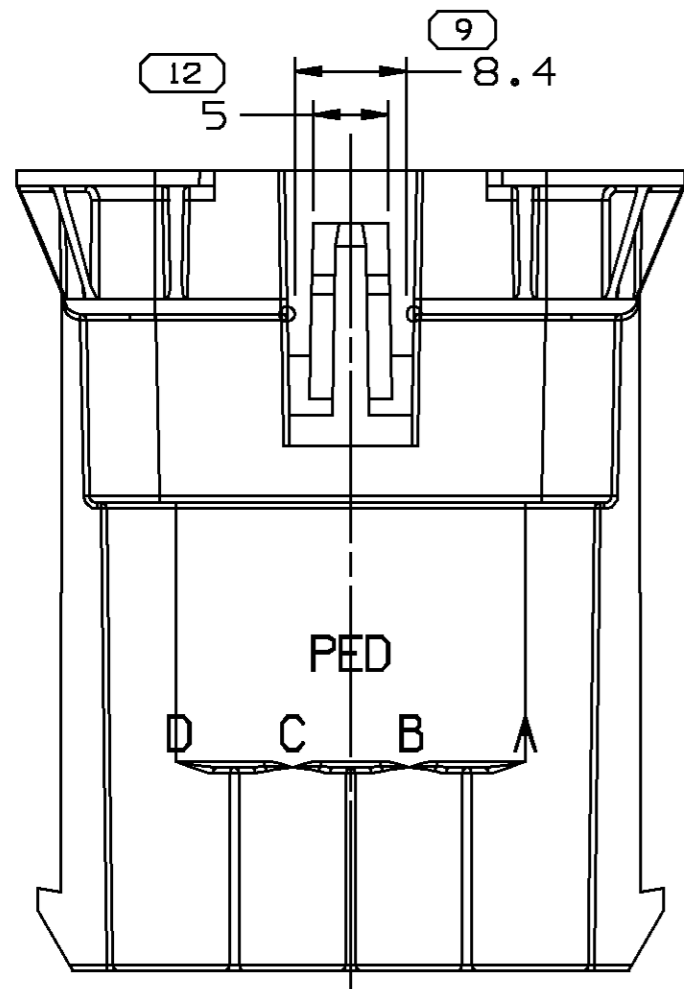
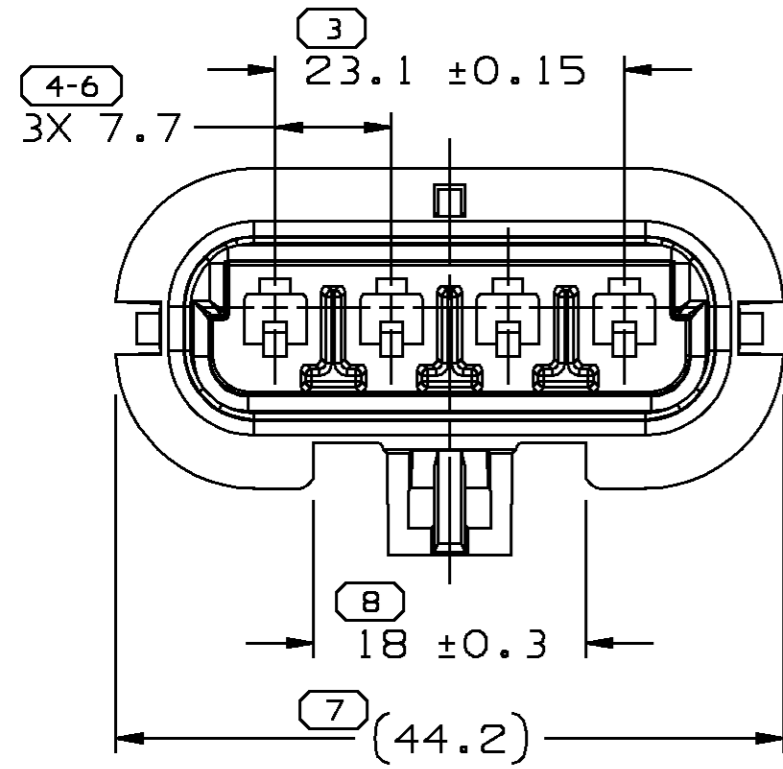
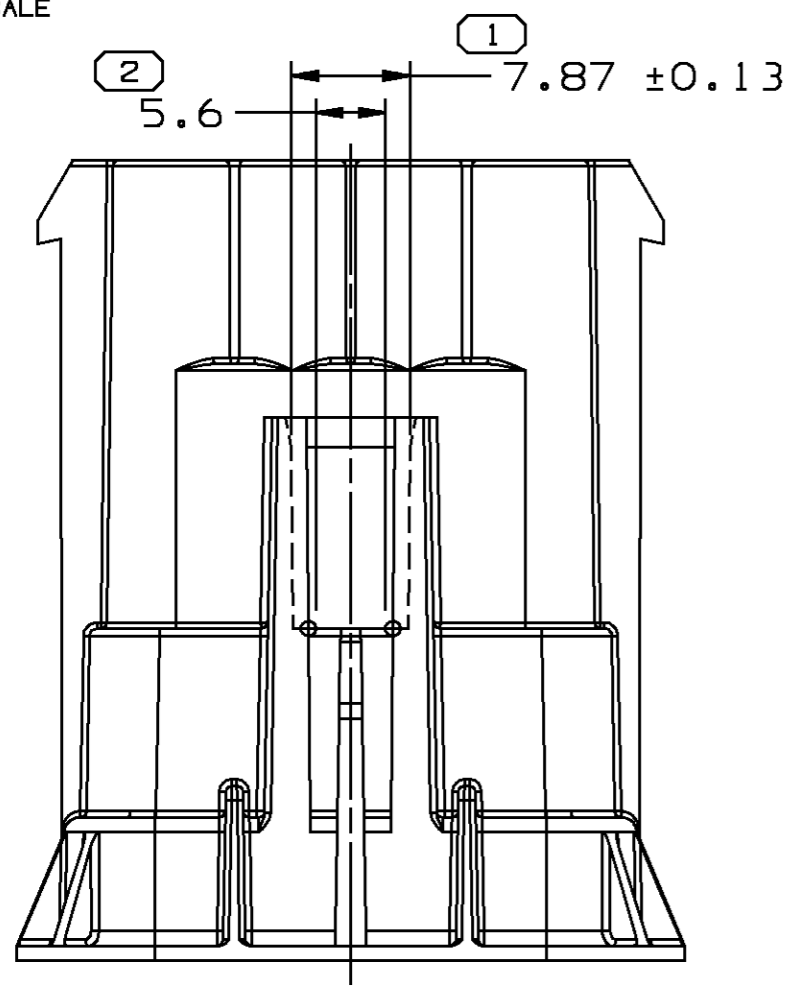


DO NOT SCALE



PART NO
1533 6870

SYMBOL DEFINITION		MISSING NUMBERS	
THE NUMBER INSIDE THE SYMBOL CORRESPONDS TO THE NUMBER ON THE INSPECTION REPORT FOR THIS DRAWING/PART NUMBER	TOTAL NO. OF SYMBOLS ON DRAWING	10	
	LAST NO. USED	12	

NOTES

- UNLESS OTHERWISE SPECIFIED AND/OR INDICATED: DIMENSIONS ARE TO FACE OF VIEW SHOWN AND AUTOMATICALLY ROUNDED BY COMPUTER FOR INSPECTION. (SEE MATH MODEL FOR PRECISE DIMENSIONS.) FOR ALL OTHER DIMENSIONS NOT SHOWN BUT REQUIRED FOR TOOL BUILD, SEE MATH MODEL FOR PRECISE TOOL PATH DATA.
- MATING COMPONENTS OR EQUIVALENT:
CONNECTOR 12129566 (12129565 CONN/SEAL ASM)
CONNECTOR POSITION ASSURANCE LOCK 12020833
TERMINAL 12040559
SECONDARY TERMINAL LOCK 12092733
CABLE SEAL 12015323
- THIS PART IS NOT CONTROLLED FOR AUTOMATIC FEEDING
- TOOL CAVITY IDENTIFICATION SHOULD BE LOCATED NEAR THE GATE.

15336641	A		R0100172 PBT-GF30 REPELLETIZED-BLK
12129600	D		R0100122 PBT-GF30-GRA DK
PART NO	REV	STATUS	MATERIAL SPECIFICATION AND COLOR

DATE	SYM	REVISION RECORD	AUTH	DR	CK
18MR98	—	12129600 - WAS SEPARATE			
		"R" SIZE - REV LEVEL			
		REMAINS AT "D"	185834	ELO	RMM
18MR98	—	15336641 - RELEASED TO			
		REV "A"	980005	ELO	RMM

PART NO
1533 6870

PART DRAWING

		THIRD ANGLE PROJECTION
CODE NO 6900	QC	
DWG DATE 18MR98		METRIC DIMENSIONS ARE IN MILLIMETERS UNLESS OTHERWISE SPECIFIED
SCALE 2:1		DES
REFERENCE NO 001,701		DR E. LUQUENO 18MR98
		CK R. MOYSEN M. 04MY98
		APPB. GEARHEART 08MY98
		VOL CM ³ 9.648

MATERIAL SPEC	SEE CHART
NAME	TAXI CONN 4M M/P 280 SLD
PART NUMBER	1533 6870
SIZE	A2

THE DIMENSION NUMBER(S) SHOWN BELOW INDICATE DIMENSIONS THAT ARE PROCESS SENSITIVE FOR PART PRODUCTION					
(7)	(10)	(11)			
DIMENSIONS ENCLOSED IN () INDICATE REFERENCE DIMENSIONS AND NO TOLERANCE LIMITS ARE ESTABLISHED					
DIMENSIONAL RANGE					
FROM	0	> 20	> 30	> 70	> 100
TO	20	30	70	100	
TOLERANCE UNLESS OTHERWISE SPECIFIED					
	±0.15	±0.2	±0.3	±0.4	±0.5
ANGULAR TOLERANCE ± 2°					