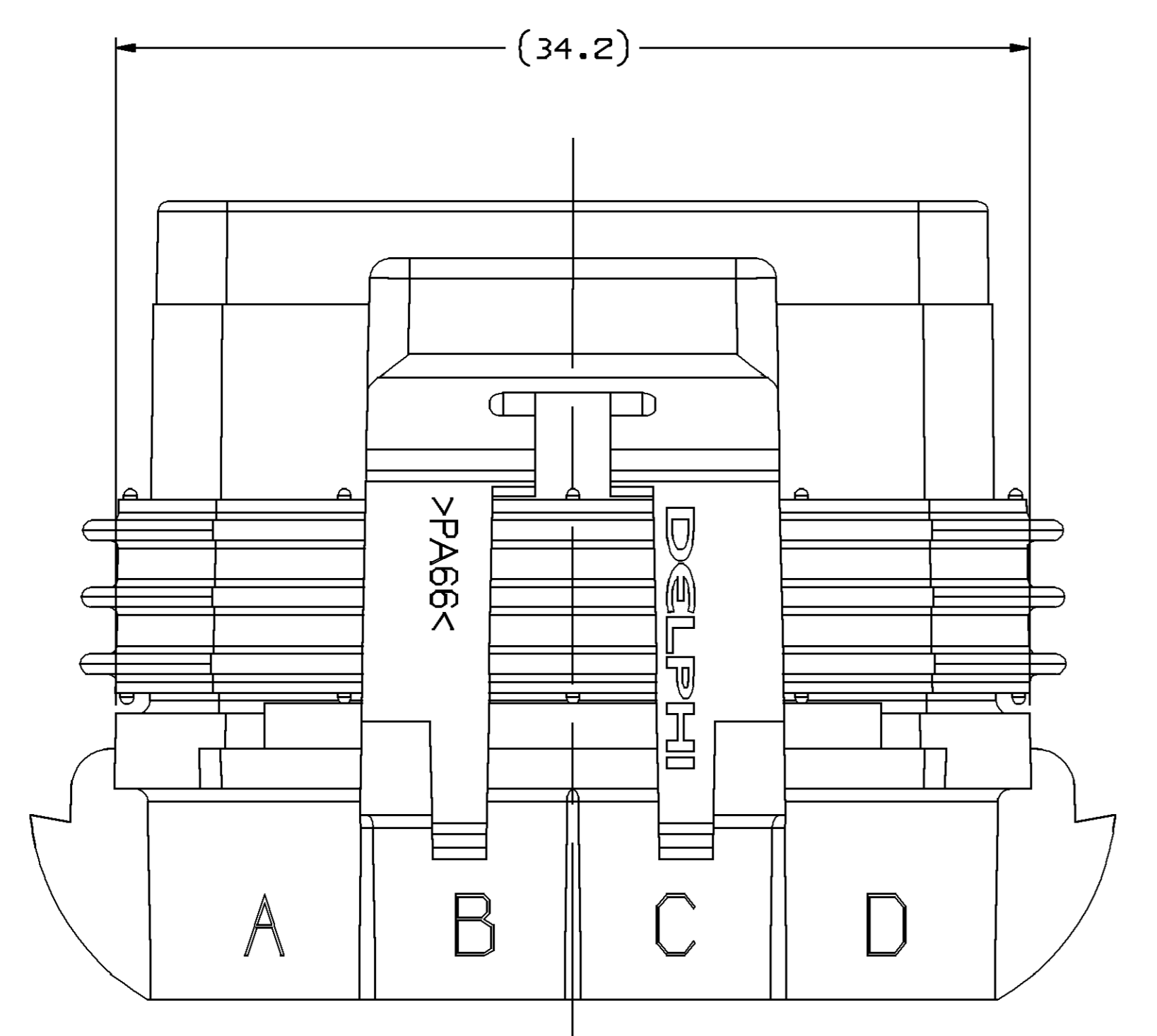
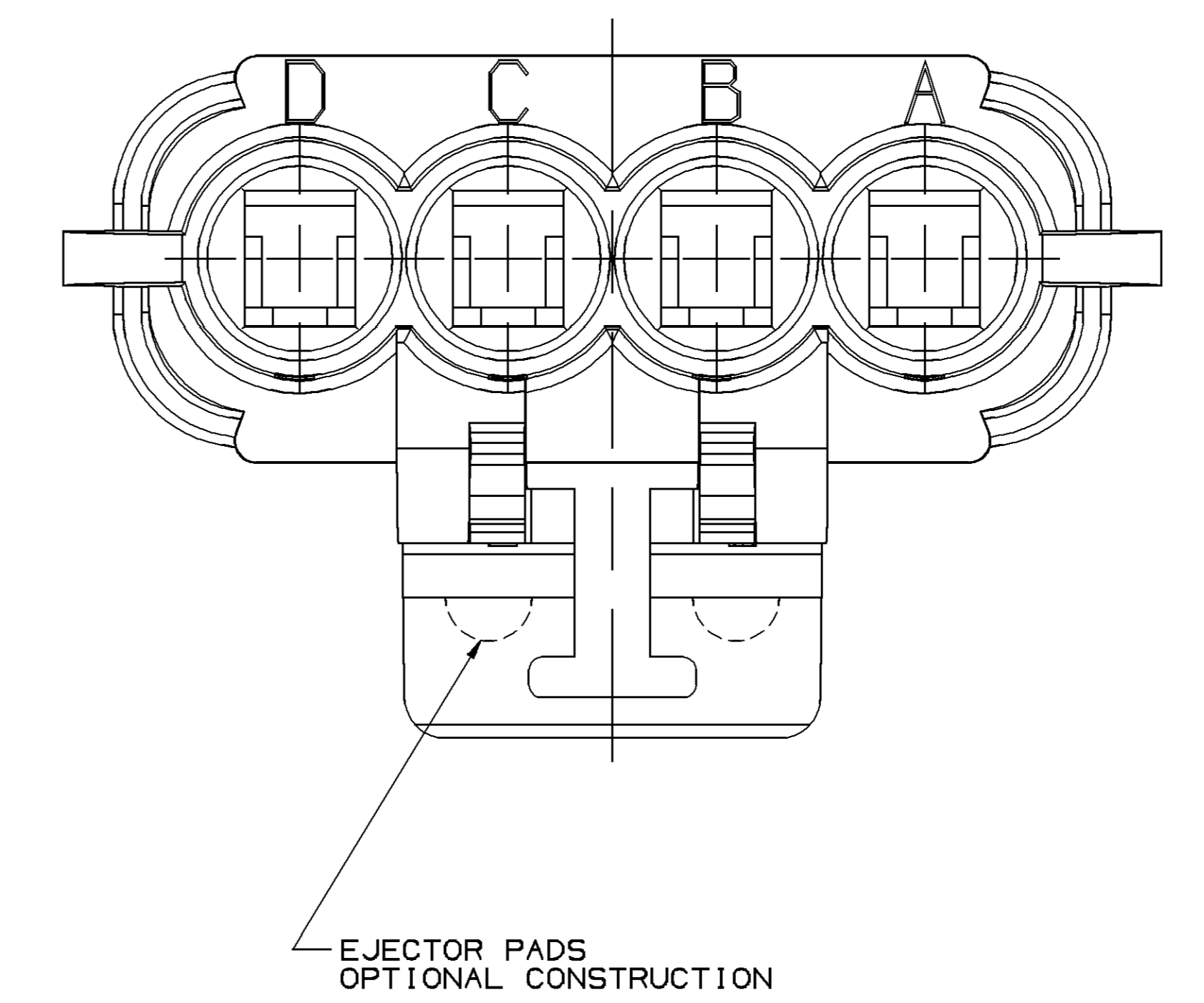
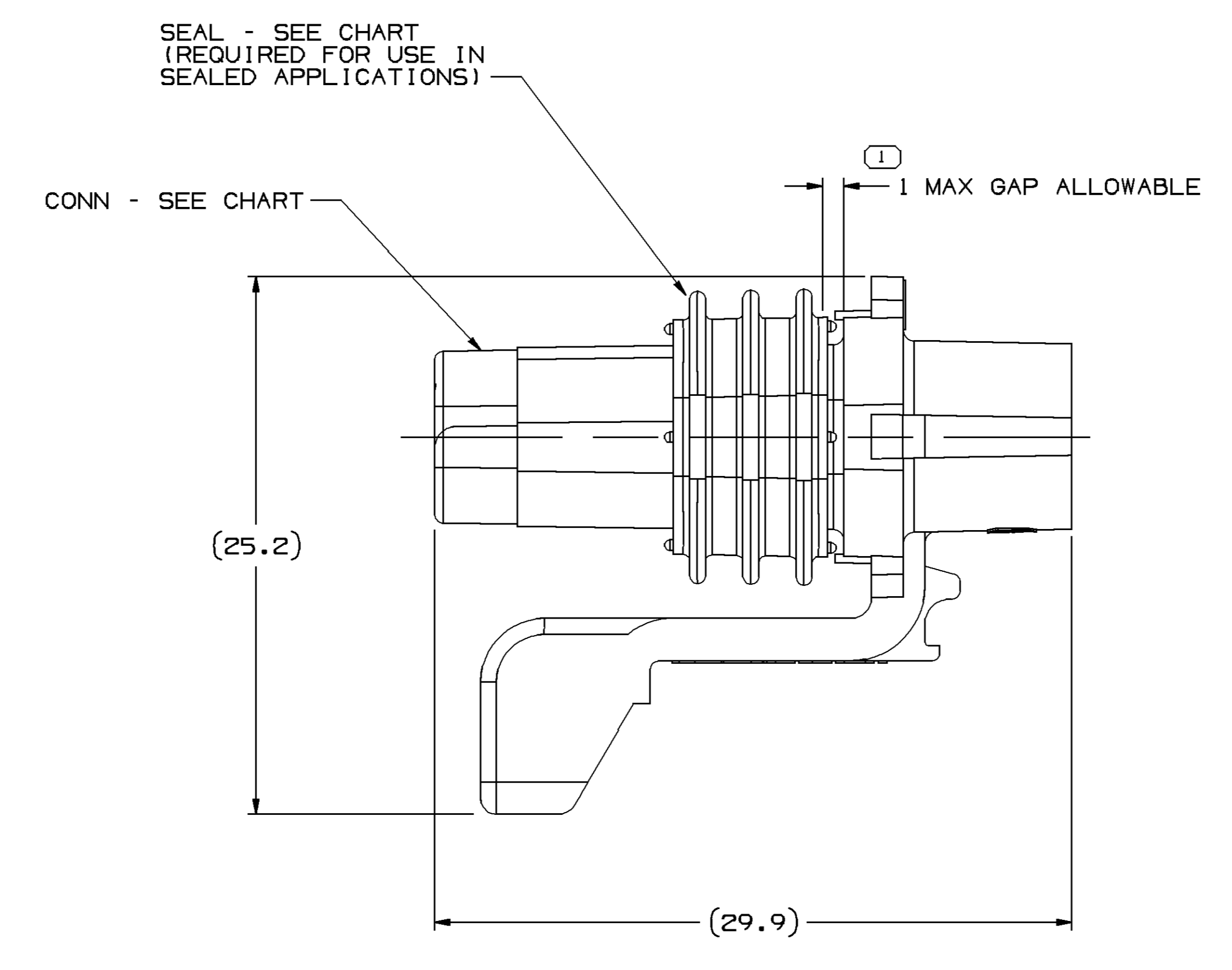
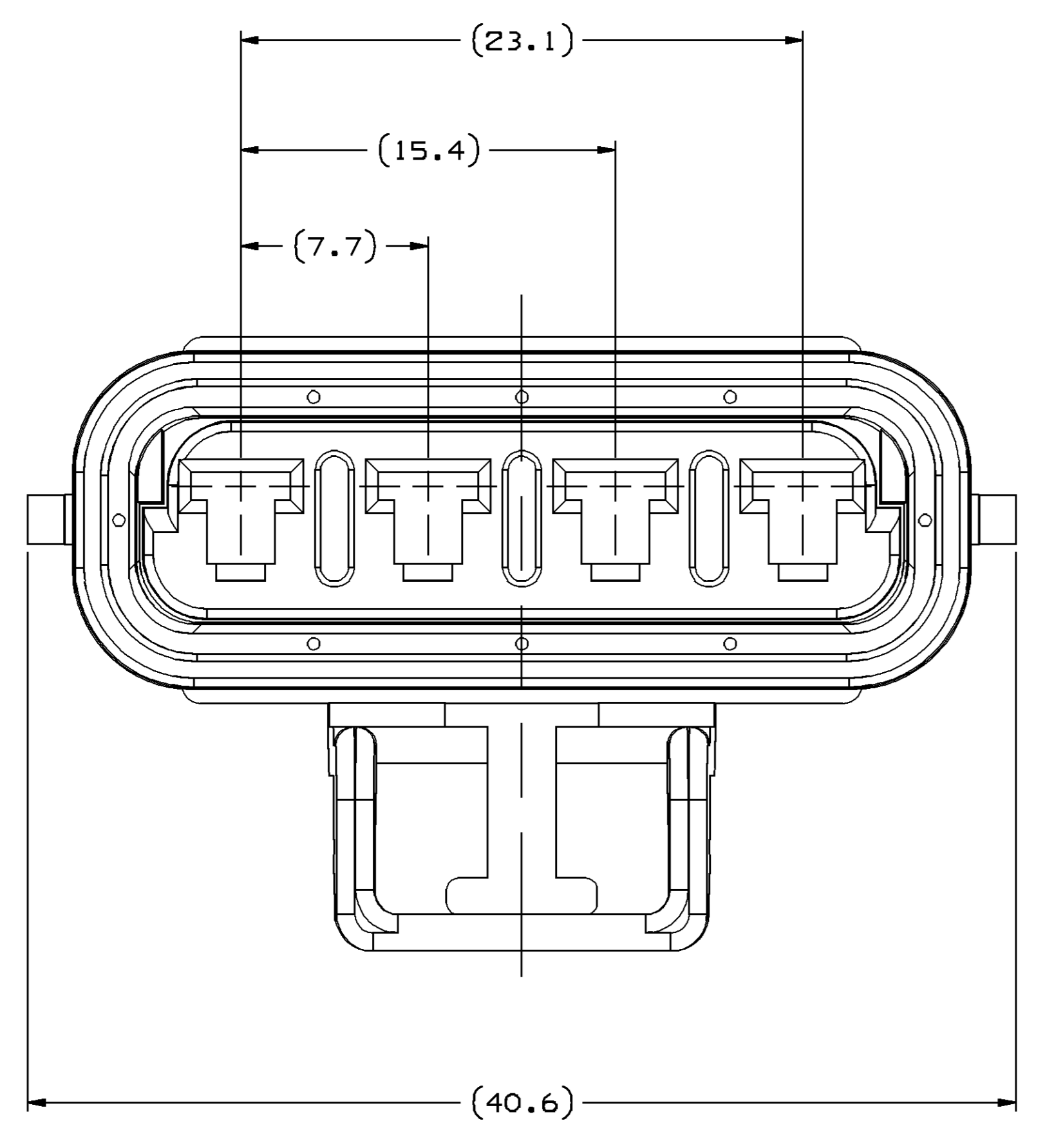
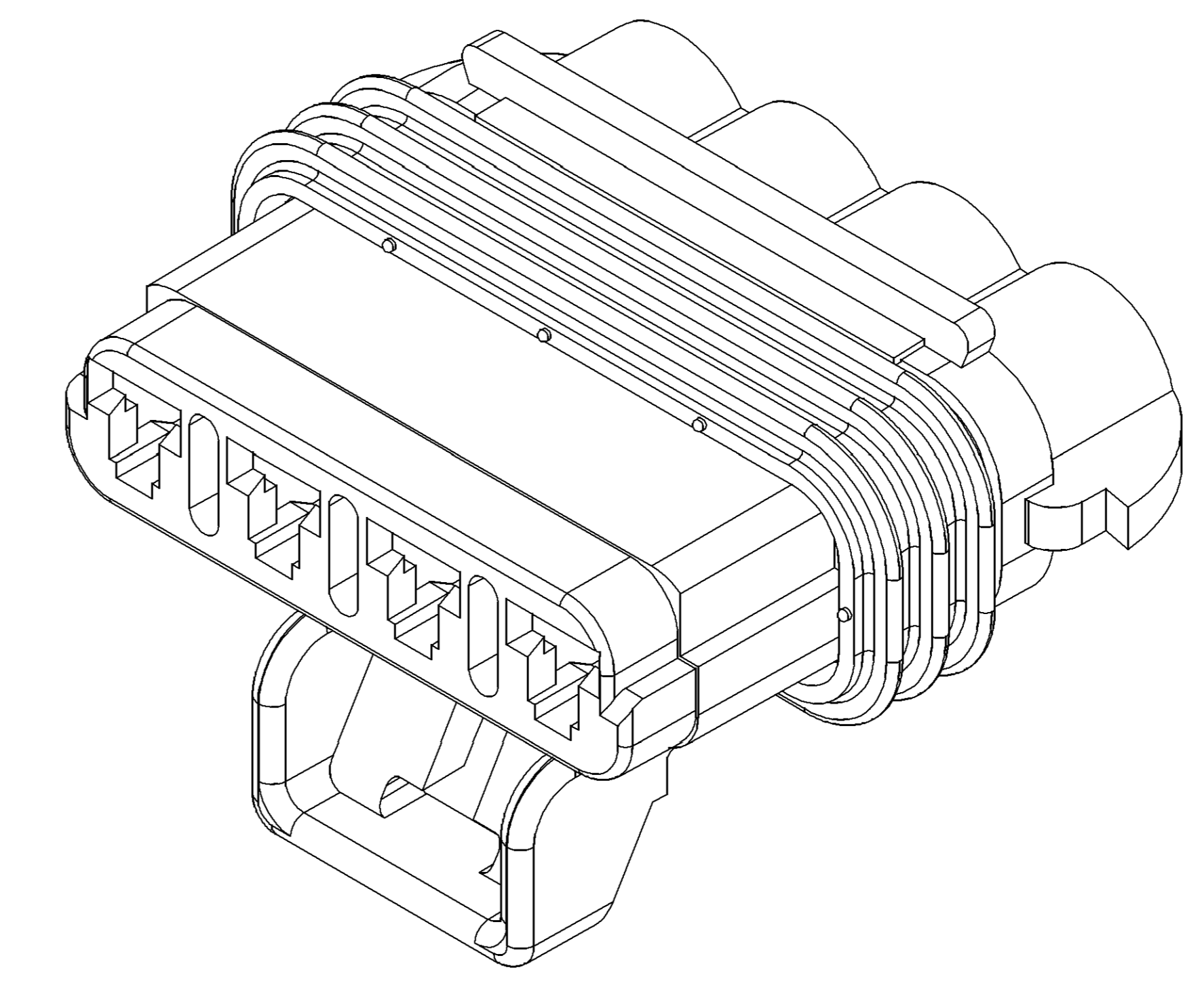
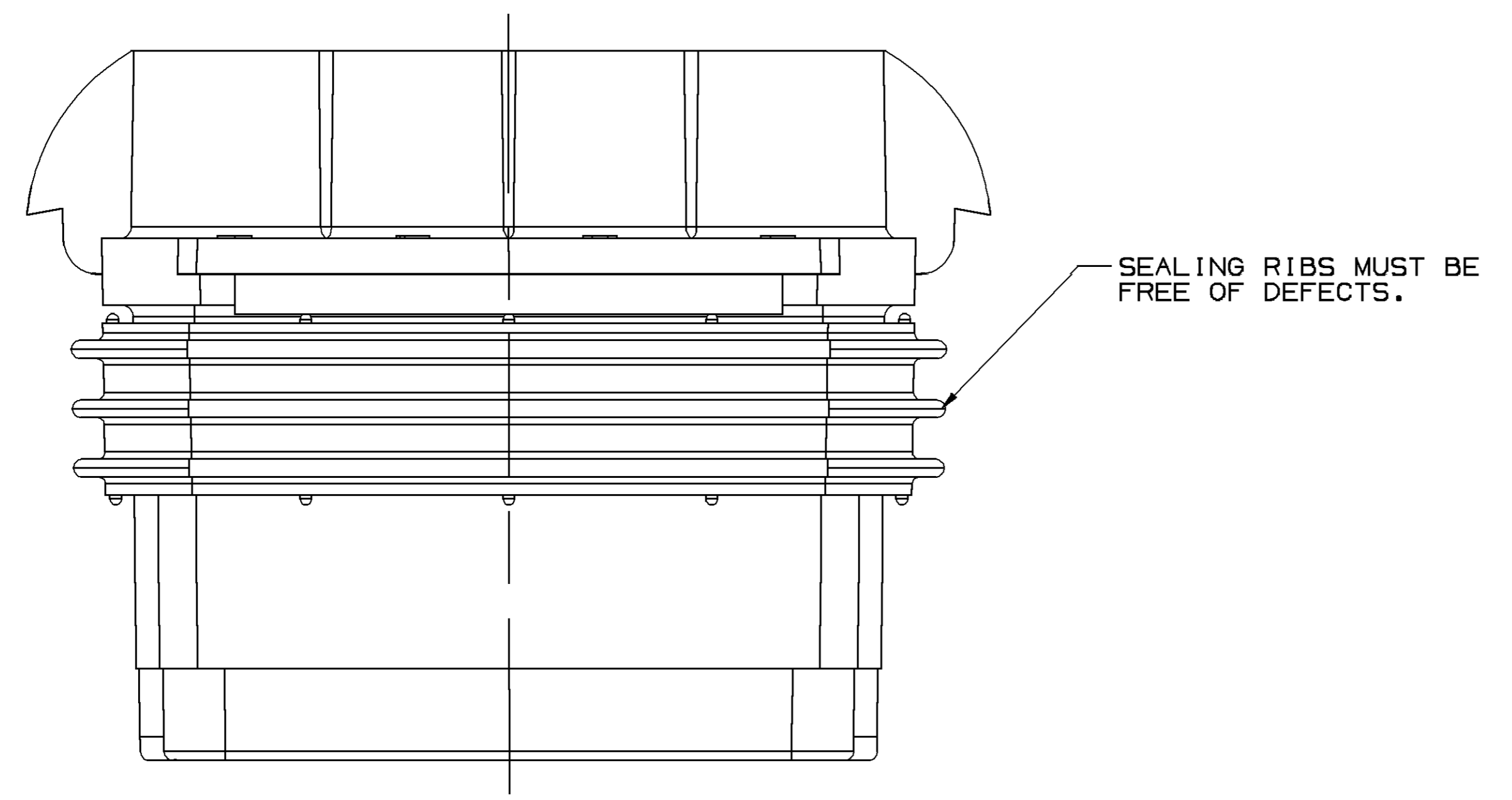


SYMBOL DEFINITION		MISSING SYMBOLS	
A DIMENSION WITHOUT AN INSPECTION REPORT SYMBOL DOES NOT REQUIRE INSPECTION. IT MAY BE CONTROLLED ON THE INDIVIDUAL COMPONENT DRAWING.	TOTAL NO OF INSPECTIONS REQUIRED	NO MISSING SYMBOL NUMBER	
	1		
	LAST NO. USED		
	1		

DWG STATUS				REVISION HISTORY				AUTH		DR		AP/VD	
DATE	STG	REV	N/P	CHG	ZONE								
03MY06	R	01	-	-		CLEARED REV COLUMN & REDRAWN TO LATEST PD FORMAT! ALL PARTS - ADDED TPA LOCK NOTE				279444	RTV	AMG	TWM
20DE06	R	02	-	-		ALL PARTS - ADDED MATING COMPONENT PART NUMBER 15354737 TO NOTES				288060	RJD	RJD	WTM



- NOTES
- UNLESS OTHERWISE SPECIFIED AND/OR INDICATED:
    - DIMENSIONS ARE TO FACE OF VIEW SHOWN AND AUTOMATICALLY ROUNDED BY COMPUTER FOR INSPECTION (SEE MATH MODEL FOR PRECISE DIMENSIONS). FOR ALL OTHER DIMENSIONS NOT SHOWN BUT REQUIRED FOR TOOL BUILD, SEE MATH MODEL FOR PRECISE TOOL PATH DATA.
  - WHEN PARTS ARE SHIPPED THEY MUST BE PACKED IN PLASTIC BAGS OR SHIPPING CONTAINERS MUST BE LINED WITH PLASTIC LINERS. BAGS OR LINERS MUST BE SEALED TO AVOID FOREIGN MATTER.
  - SEALING CODE 3 - DESIGN WILL PASS SALT FOG AND IMMERSION TEST AFTER CONDITIONING AS SPECIFIED IN ESA-710 (METRI-PACK) WHEN MATED TO MATING PART OR EQUIVALENT
  - REFERENCE MATING COMPONENTS OR EQUIVALENT: TRACTION CONTROL MOTORPACK 15354737
  - THESE PARTS ACCEPT THE FOLLOWING COMPONENTS OR EQUIVALENT:
    - TERMINAL 12077412 FOR SEALED APPLICATIONS.
    - TERMINAL 12015823 FOR UNSEALED APPLICATIONS.
    - CABLE SEAL 12015323 FOR SEALED APPLICATIONS.
    - CONNECTOR POSITION ASSURANCE LOCK:
      - A. IN-LINE APPLICATIONS 12020833
      - B. TRACTION CONTROL APPLICATIONS 12110292
    - TERMINAL POSITION ASSURANCE LOCK:
      - A. SEALED APPLICATION 15300016
      - B. UNSEALED APPLICATION 12146475

DWG TYPE		PART DRAWING	
STYLE		DISTR CODE	D
VOLUME 10/1			
UNLESS OTHERWISE SPECIFIED			
THIS DOCUMENT IS IN ACCORDANCE WITH ASME Y14.5M-1994 AS MODIFIED BY THE IN-SOURCE DIMENSIONING AND TOLERANCE ADDENDUM-2009. SEPARATE WRITINGS OF FEATURES MAY BE BASED SEPARATELY PER HOLDERS OF DWTM REFERENCES.			
ALL DIMENSIONS ARE IN MILLIMETERS			
REFERENCE			
THIRD ANGLE PROJECTION			
DO NOT SCALE			
USE MATH DATA			

**DELPHI**  
DELPHI PACKARD ELECTRIC SYSTEMS  
WARREN, OH

DR	DATE
APVD1 A UGALDE G	03MR98
APVD2 A UGALDE G	03MR98
APVD3 WILLIAM T MADDEN	03MY06
APVD4	
APVD5	

SUBSTANCES OF CONCERN AND RECYCLED CONTENT PER DELPHI 10949001

MATERIAL SEE DRAWING

DRAWING NAME  
TAXI ASM CONN F M/P 280 SLD

DRAWING NUMBER  
**15336872**

SIZE A0 SCALE 5:1 FRAME NO 1 OF 1 SHEET NO 1570 REV N/P 1 R 02

REV	N/P	STATUS	TYPE	CONN	SEAL	CONN COLOR
15336678	A2	-	101	15336642	15300022	BLK
12129565	A2	-	101	12129566	15300022	GRA

Date: 08-Jan-07 Time: 16:42