

MATERIAL SPECIFICATIONS

RECOMMENDED
 BASE METAL - CDA-210, GILDING, EXTRA SPRING TEMPER.
 PLATING - 0.0025/0.0075 MM THICK TIN.

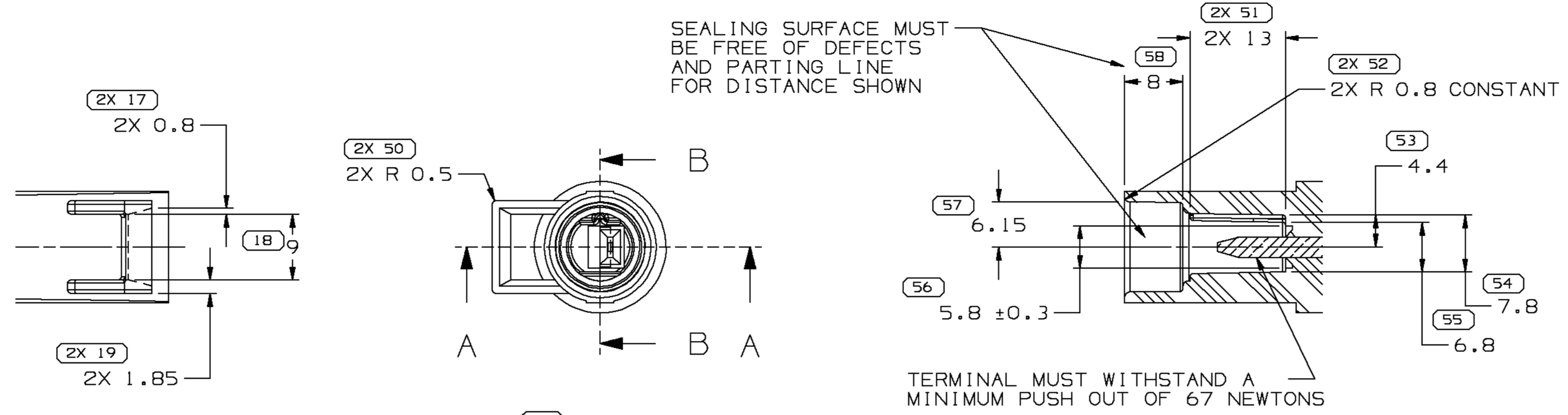
MINIMUMS
 ELECTRICAL CONDUCTIVITY - ≥ 20% IACS ± 20°C
 TENSILE STRENGTH - 407 MPA
 PLATING - FOR LOW ENERGY (≤ 5 V.) & NON-PASSENGER COMPARTMENT POWER CIRCUITS 0.0025/0.0075 MM THICK TIN. FOR MATERIALS CONTAINING 10% OR MORE ZINC, AN UNDERPLATE OF COPPER 0.0025/0.0075 MM THICK IS REQUIRED.

MATING BLADE INFORMATION

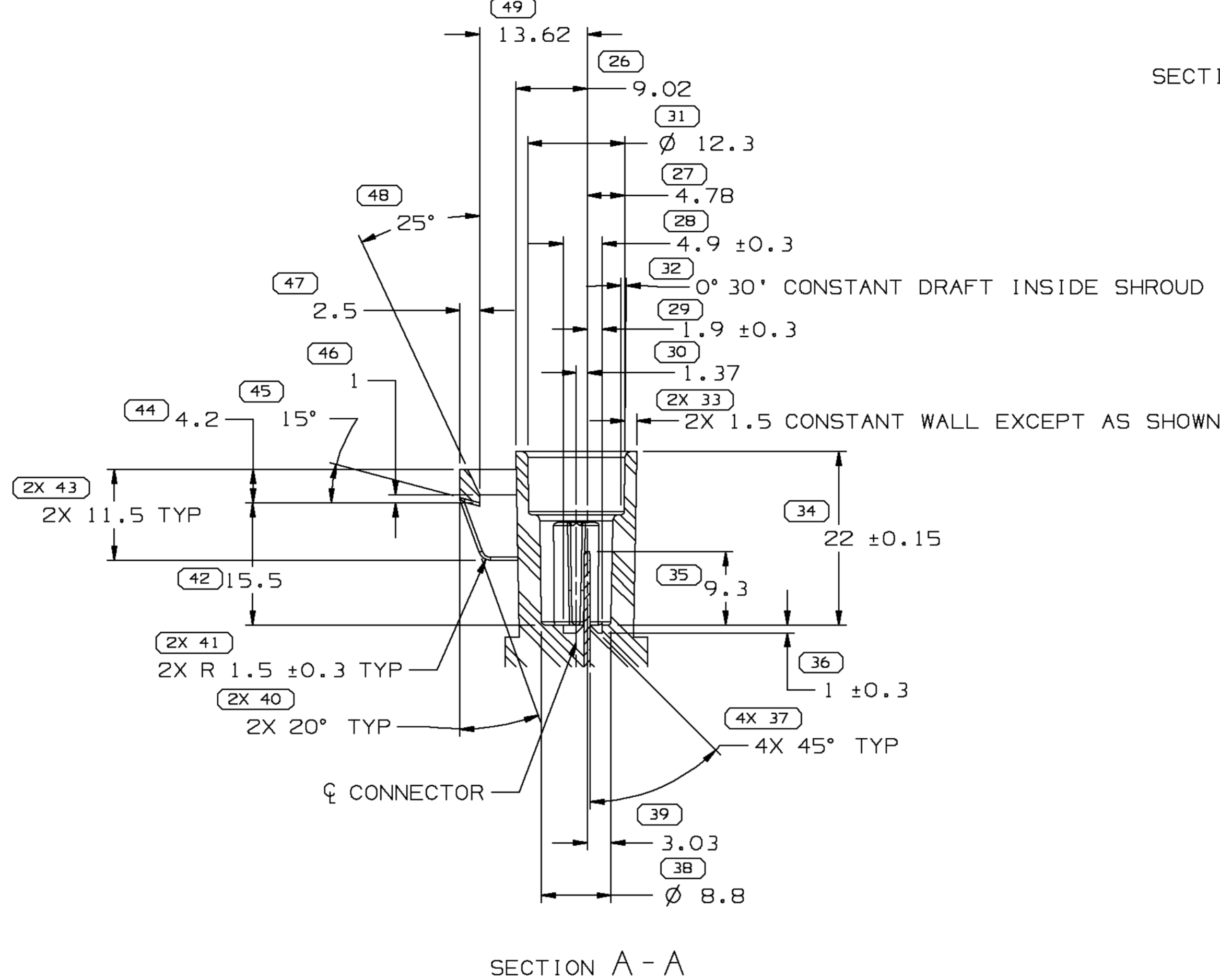
SCALE 5:1
 INSPECTION SYMBOLS SHOWN ON THESE VIEWS ARE FOR REFERENCE ONLY

SYMBOL DEFINITION		TOTAL NO OF INSPECTIONS REQUIRED	MISSING SYMBOLS
A DIMENSION WITHOUT AN INSPECTION REPORT SYMBOL DOES NOT REQUIRE INSPECTION. IT MAY BE CONTROLLED ON THE INDIVIDUAL COMPONENT DRAWING.		74	NO MISSING SYMBOL NUMBER
		LAST NO. USED	58

DWG STATUS		ZONE		REVISION HISTORY		AUTH	DR	APVD	APVD
DATE	STG	REV	N/P	CHG				1	2
05N003	R	01	-	-		248063	JAA	JAA	RMF



SECTION B-B



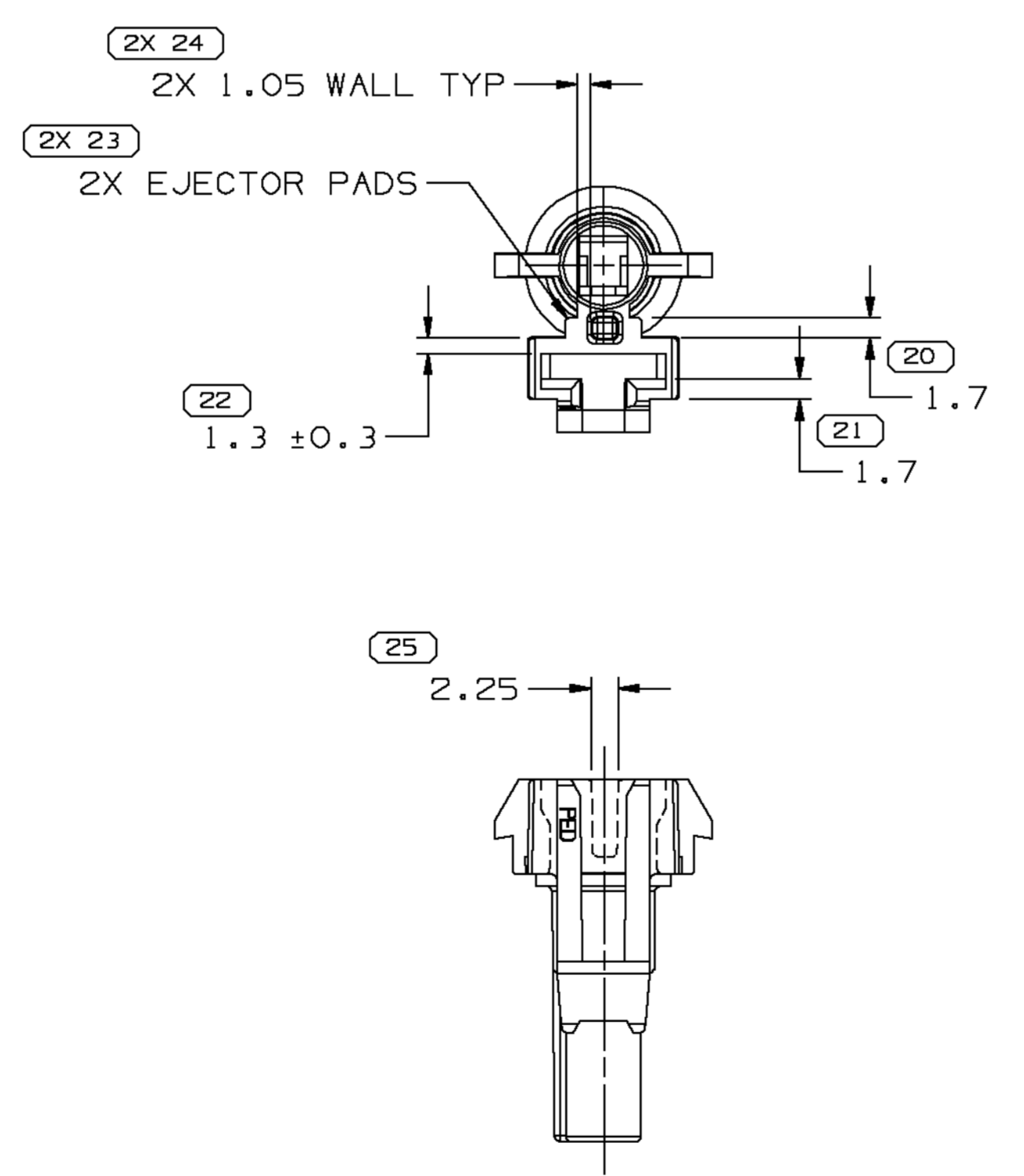
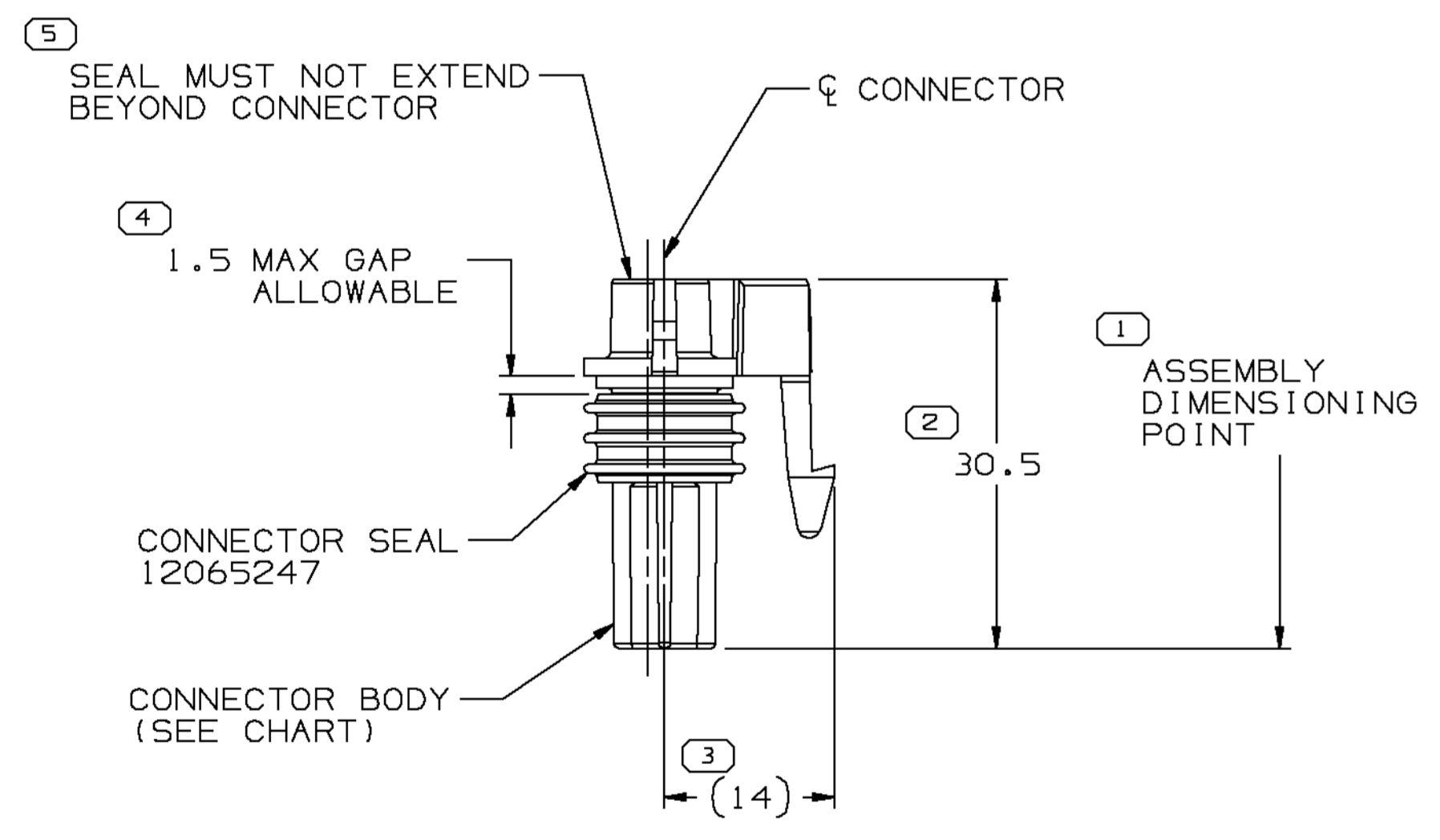
SECTION A-A

- NOTES**
- UNLESS OTHERWISE SPECIFIED AND/OR INDICATED: DIMENSIONS ARE TO FACE OF VIEW SHOWN AND AUTOMATICALLY ROUNDED BY COMPUTER FOR INSPECTION (SEE MATH MODEL FOR PRECISE DIMENSIONS). FOR ALL OTHER DIMENSIONS NOT SHOWN BUT REQUIRED FOR TOOL BUILD, SEE MATH MODEL FOR PRECISE TOOL PATH DATA. ALL RADII 0.4 DRAFT IS 1° ON ALL OUTSIDE SURFACES
 - WHEN USING THIS INFORMATION FOR A NEW DESIGN, REQUEST THE LATEST COPY OF THIS PRINT FROM DELPHI PACKARD ELECTRIC DIVISION

RECOMMENDED MATERIAL
 GLASS REINFORCED NYLON OR POLYESTER

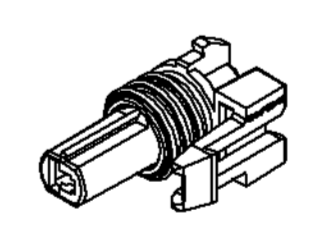
MATING CONNECTOR INFORMATION

SCALE 5:1
 INSPECTION SYMBOLS SHOWN ON THESE VIEWS ARE FOR REFERENCE ONLY



OPTIONAL CONNECTOR CONSTRUCTION

- NOTES**
- UNLESS OTHERWISE SPECIFIED AND/OR INDICATED: DIMENSIONS ARE TO FACE OF VIEW SHOWN AND AUTOMATICALLY ROUNDED BY COMPUTER FOR INSPECTION (SEE MATH MODEL FOR PRECISE DIMENSIONS). FOR ALL OTHER DIMENSIONS NOT SHOWN BUT REQUIRED FOR TOOL BUILD, SEE MATH MODEL FOR PRECISE TOOL PATH DATA.
 - SEALING CODE 3 - DESIGN WILL PASS SALT FOG AND IMMERSION TEST AFTER CONDITIONING AS SPECIFIED IN ESA-644 (WEATHER-PACK), ESA-710 (METRI-PACK), ESA-650 (UNDERHOOD MICRO-PACK), C-4006 (WORLD CONNECTOR), ETC WHEN MATED TO MATING PART OR EQUIVALENT
 - THIS PART ACCEPTS THE FOLLOWING COMPONENTS OR EQUIVALENT: CAVITIES TO ACCEPT 12077412 TERMINAL OR EQUIVALENT. SECONDARY TERMINAL LOCK 12065249. CABLE SEAL 12041351. CONNECTOR POSITION ASSURANCE LOCK 12052834
 - WHEN PARTS ARE SHIPPED, THEY MUST BE PACKED IN PLASTIC BAGS OR SHIPPING CONTAINERS MUST BE LINED WITH PLASTIC LINERS. BAGS OR LINERS MUST BE SEALED TO AVOID ENTRY OF FOREIGN MATTER.



PART NO	REV	N/P	STATUS	CONNECTOR P/N	MATING CONNECTOR
15481001	01	-	-	15483473	12089914
12089916	A	-	-	12089912	12069914
12065172	A	-	-	12065170	12065171

DWO TYPE: PART DRAWING		UNLESS OTHERWISE SPECIFIED	
STYLE	DISTR CODE: D	THIS DOCUMENT IS IN ACCORDANCE WITH ASME Y14.5M-1994 AS MODIFIED BY THE DIMENSIONING AND TOLERANCING ADDENDUM-2003. SEPARATE PATTERNING OF FEATURES MAY BE OBTAINED SEPARATELY. REWORKER IF DATUM REFERENCES.	
VOLUME (CWP)	6900	ALL DIMENSIONS ARE IN MILLIMETERS	
REFERENCE		THIRD ANGLE PROJECTION	
DO NOT SCALE		USE MATH DATA	
SHARP CORNER TOLERANCE		UNIGRAPHICS	

DELPHI
 DELPHI PACKARD ELECTRIC SYSTEMS
 WARREN, OH

DR	DATE
APVD1 J.E. HOUGELMAN	20JLB9
APVD2 J.E. HOUGELMAN	20JLB9
APVD3 S.M. KEISEL V.	03AUB9
APVD4	
APVD5	

UNLESS OTHERWISE SPECIFIED
 SUBSTANCES OF CONCERN AND RECYCLED CONTENT PER DELPHI 10949001

MATERIAL SEE DRAWING

DRAWING NAME
 TAXI ASM CONN IF M/P Z80

DRAWING NUMBER
 12089917

SIZE: A0 SCALE: 2:1 FRAME NO: 1 OF 1 SHEET NO: 1 OF 1 DATE: 01-11-01