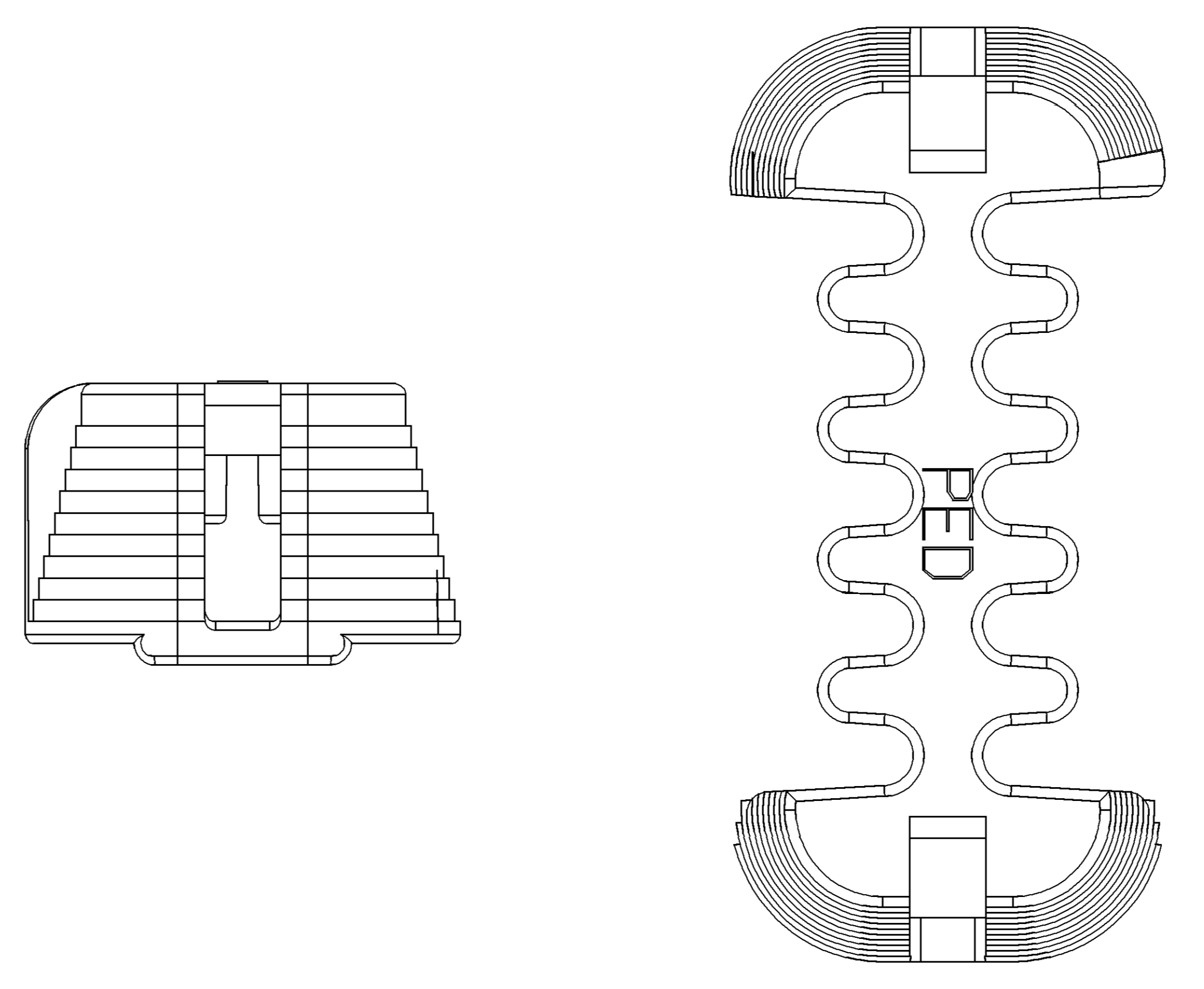
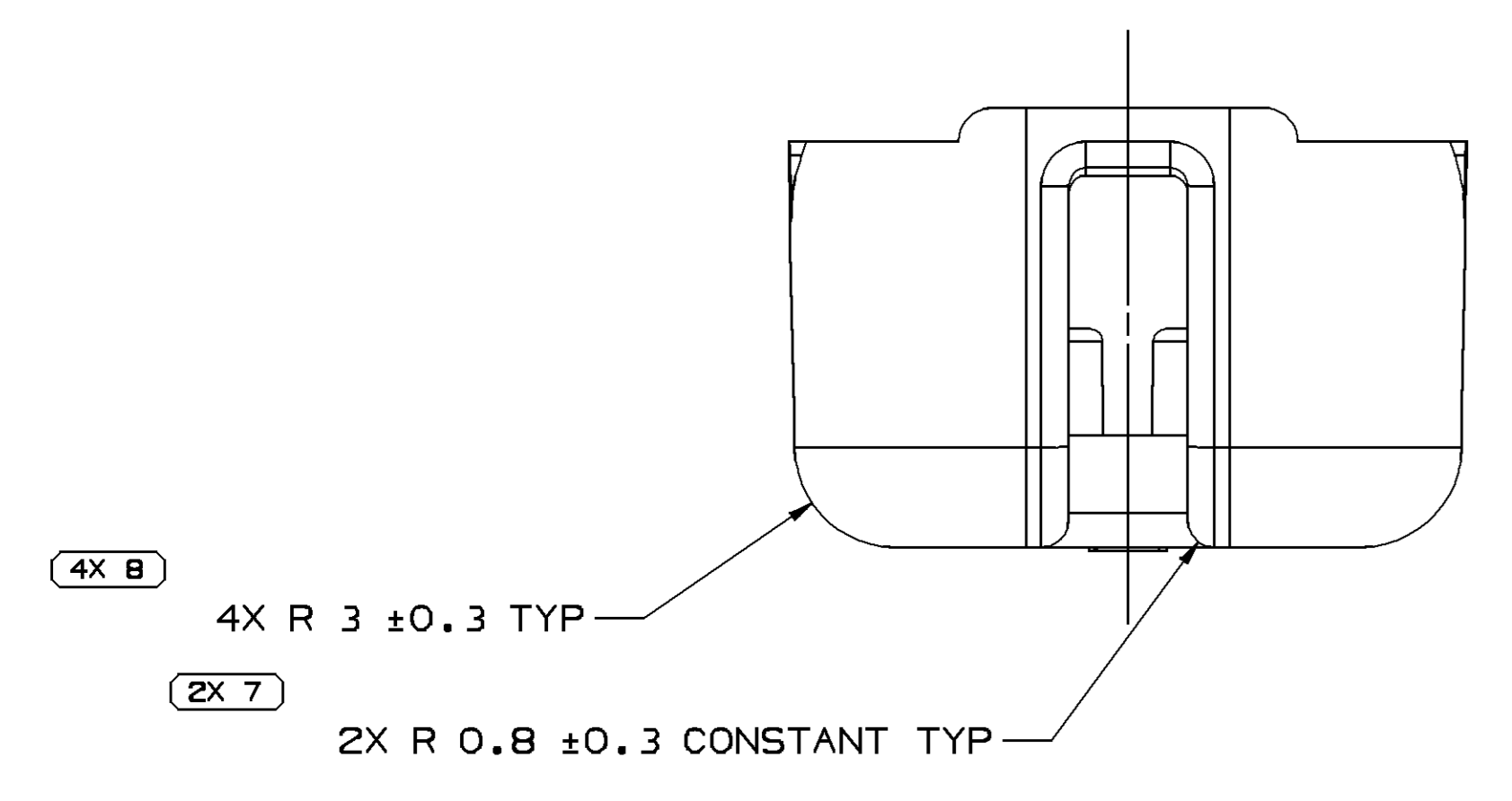


SYMBOL DEFINITION		TOTAL NO OF INSPECTIONS REQUIRED	MISSING SYMBOLS
A DIMENSION WITHOUT AN INSPECTION REPORT SYMBOL DOES NOT REQUIRE INSPECTION. IT MAY BE CONTROLLED ON THE INDIVIDUAL COMPONENT DRAWING.		31	NO MISSING SYMBOL NUMBER
LAST NO. USED		9	

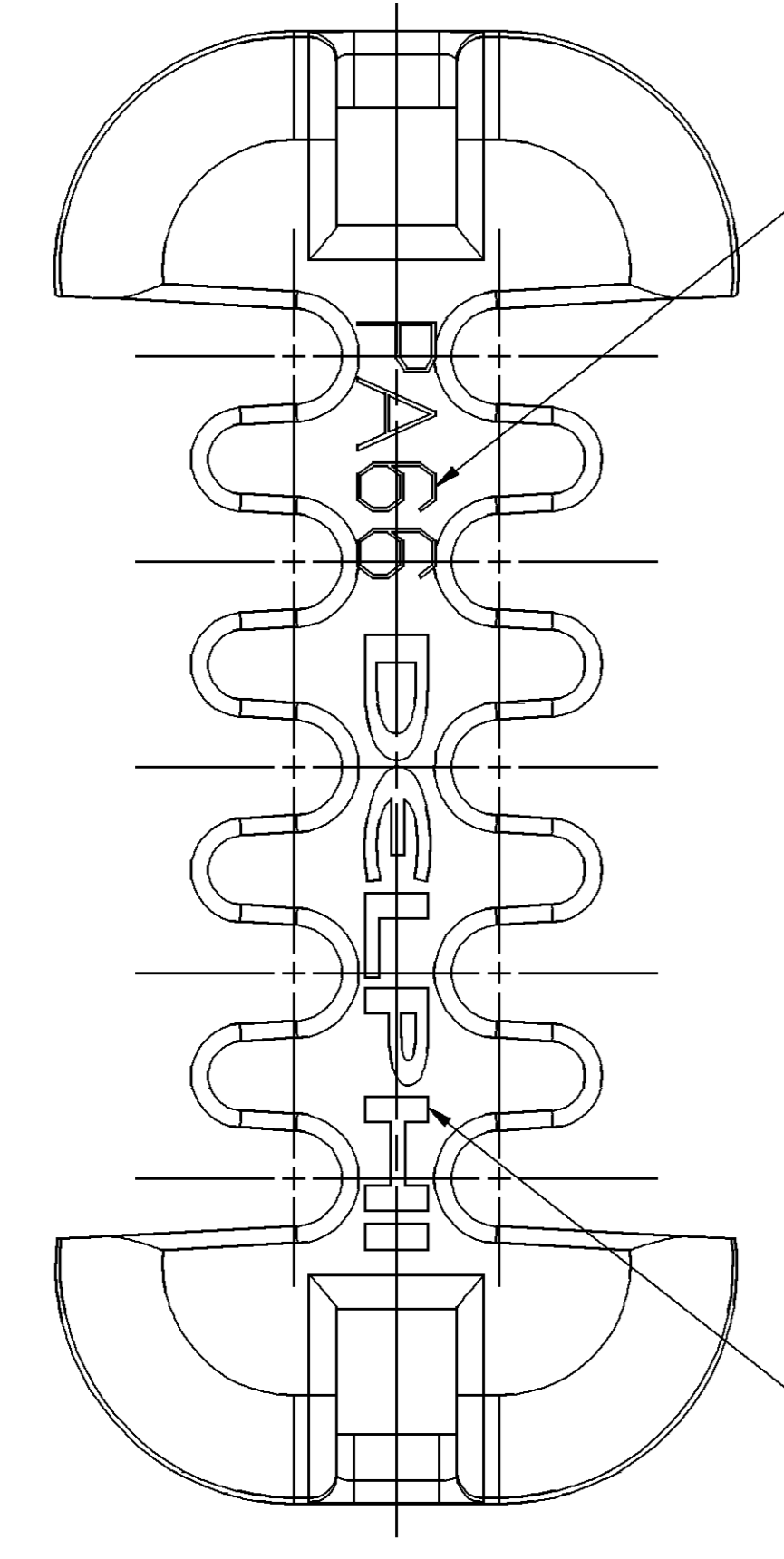
DWG STATUS				REVISION HISTORY		AUTH	DR	AP/VD
DATE	STG	REV	N/P	CHG	ZONE			
19JUN01	R	001	-	-		CLEARED REV COLUMN AND ALL PARTS - REDRAWN TO PD	211147	LOA/061
21NOV01	R	002	-	-		ALL PARTS - ADDED MATERIAL RECYCLING STAMP, REVISED OPTIONAL CONSTRUCTION & REVISED MATERIAL SPEC	216066	JBR/EDV
27OCT06	R	03	-	-		ALL PARTS - 2X 20 +0.2/-0.3 WAS 2X 20 +0.2/-0.15	286197	RH/RH



OPTIONAL CONSTRUCTION

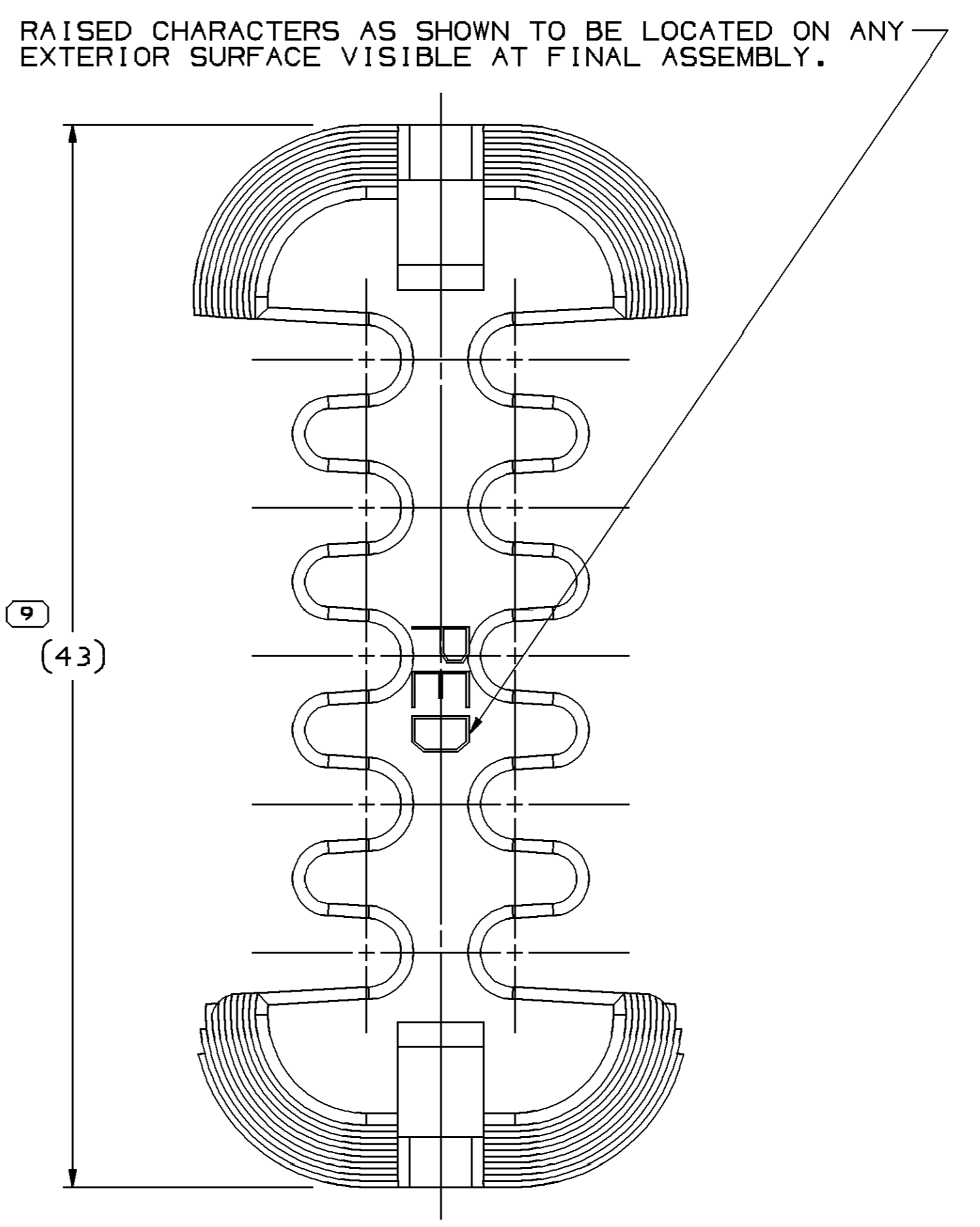
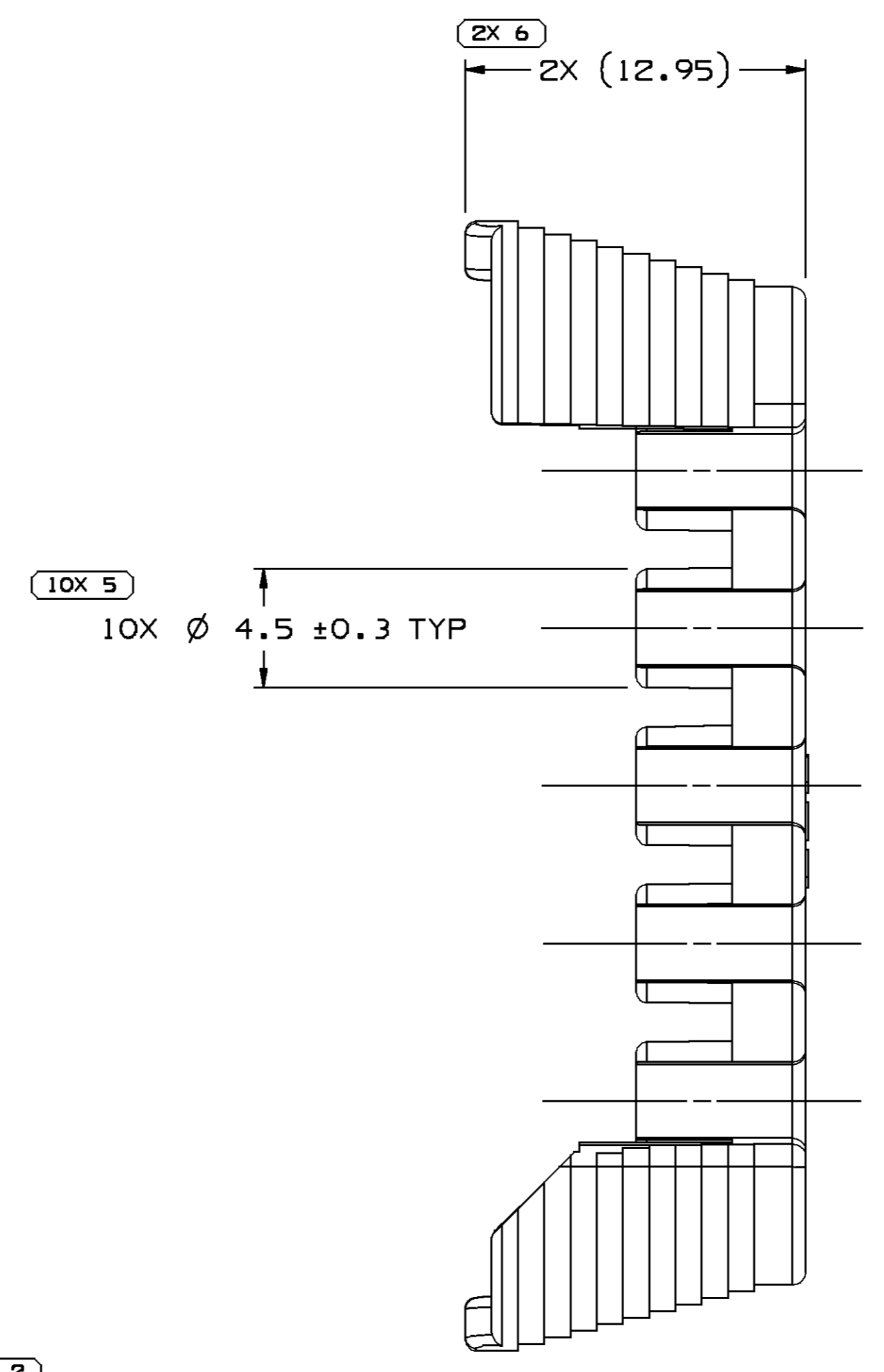
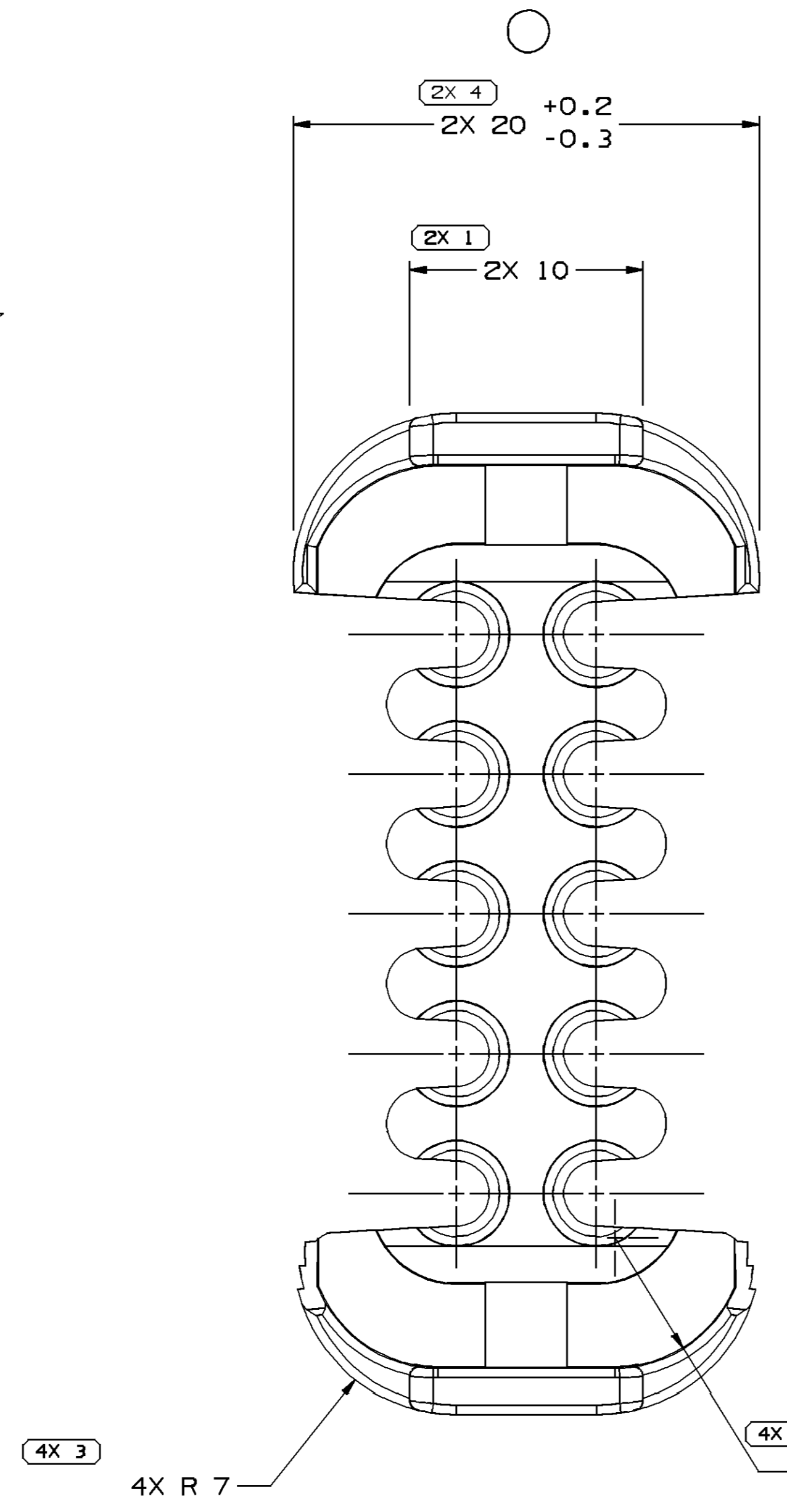


RAISED CHARACTERS AS SHOWN TO BE LOCATED ON ANY EXTERIOR SURFACE VISIBLE AT FINAL ASSEMBLY.



RAISED DELPHI CORPORATE BRAND TO BE LOCATED ON ANY EXTERIOR SURFACE VISIBLE AT FINAL ASSEMBLY.

PREFERRED CONSTRUCTION



RAISED CHARACTERS AS SHOWN TO BE LOCATED ON ANY EXTERIOR SURFACE VISIBLE AT FINAL ASSEMBLY.

NOTES

- UNLESS OTHERWISE SPECIFIED AND/OR INDICATED: DIMENSIONS ARE TO FACE OF VIEW SHOWN AND AUTOMATICALLY ROUNDED BY COMPUTER FOR INSPECTION (SEE MATH MODEL FOR PRECISE DIMENSIONS). FOR ALL OTHER DIMENSIONS NOT SHOWN BUT REQUIRED FOR TOOL BUILD, SEE MATH MODEL FOR PRECISE TOOL PATH DATA. LOCKING FEATURES ARE IDENTICAL.
- THIS PART IS NOT CONTROLLED FOR AUTOMATIC FEEDING.
- MATING COMPONENTS OR EQUIVALENT: CONNECTORS 12045808, 12045809, 12052189, 12052190 & 12052934

PART NO	REV	N/P	STATUS	MATERIAL SPECIFICATION AND COLOR
12176336	02	AA		M3592010 PA66 IM HS BRN
12124264	03	AA		M3592025 PA66 IM HS GRA MD
12077753	08	AA		M3592001 PA66 IM HS BLK
12045810	08	AA		M3592008-PA66 IM HS BLU

DIMENSIONAL RANGE (MM)		SHORT ET
FROM	> 0	> 30
TO	> 20	> 70
	> 70	> 100
	> 100	> 150
	> 150	> 200
	> 200	> 250
	> 250	> 300
	> 300	> 400

PART DRAWING	
STYLE	D
VOLUME 10/P	2,068
DISTR CODE	
UNLESS OTHERWISE SPECIFIED	
THIS DOCUMENT IS IN ACCORDANCE WITH ASME Y14.9M-1994 AS MODIFIED BY THE IN-SUPPLY DIMENSIONING AND TOLERANCE PRACTICES. SEPARATE MATTERS OF REFERENCE.	
ALL DIMENSIONS ARE IN MILLIMETERS	
THIRD ANGLE PROJECTION	DO NOT SCALE
USE MATH DATA	UNIMAPHICS

DELPHI
DELPHI PACKARD ELECTRIC SYSTEMS
WARREN, OH

DR	DATE
APV01 JEFF REEVES	12JABB
APV02 F. HESTON	15JABB
APV03 A. MONROE	27JABB
APV04	
APV05	

SUBSTANCES OF CONCERN AND RECYCLED CONTENT PER DELPHI 1094001

MATERIALS SEE CHART

DRAWING NAME
TAXI LOCK SECONDARY TPA M/P

DRAWING NUMBER
12077754

SIZE A0 SCALE 5:1 FRAME NO 1 OF 1 SHEET NO 1 OF 1 REV N/P R 03