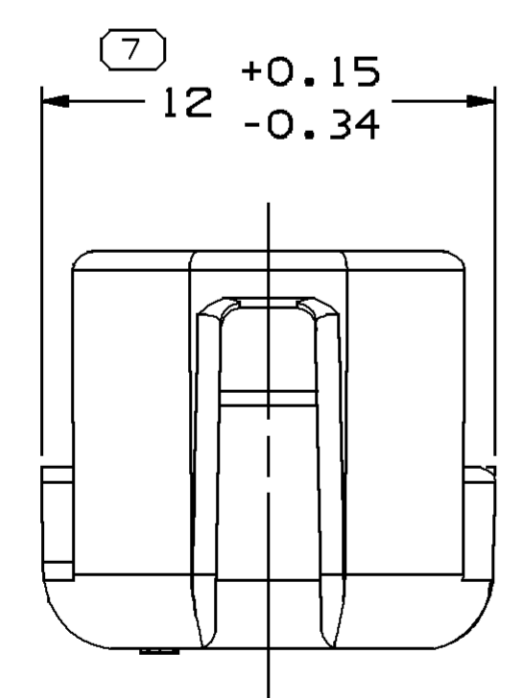
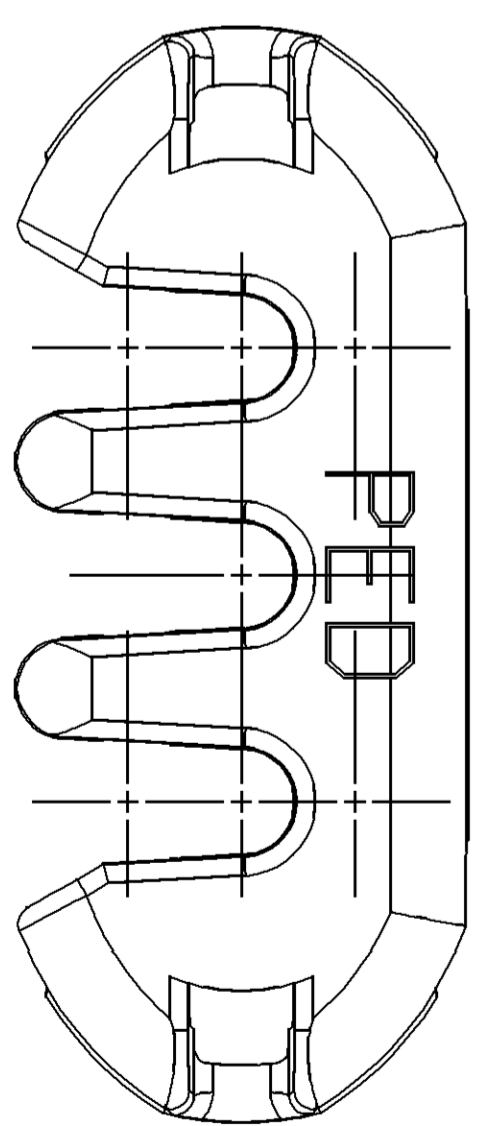
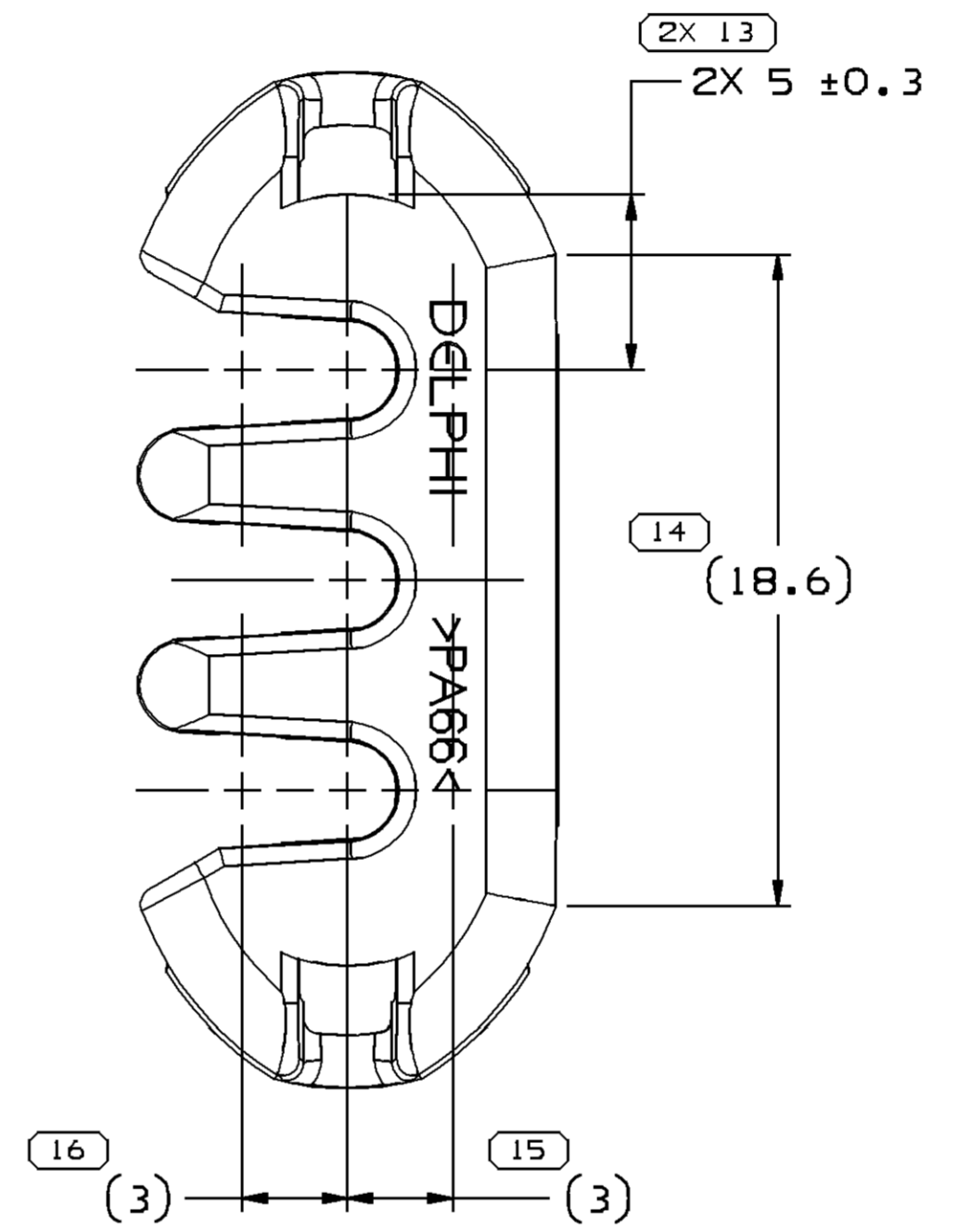
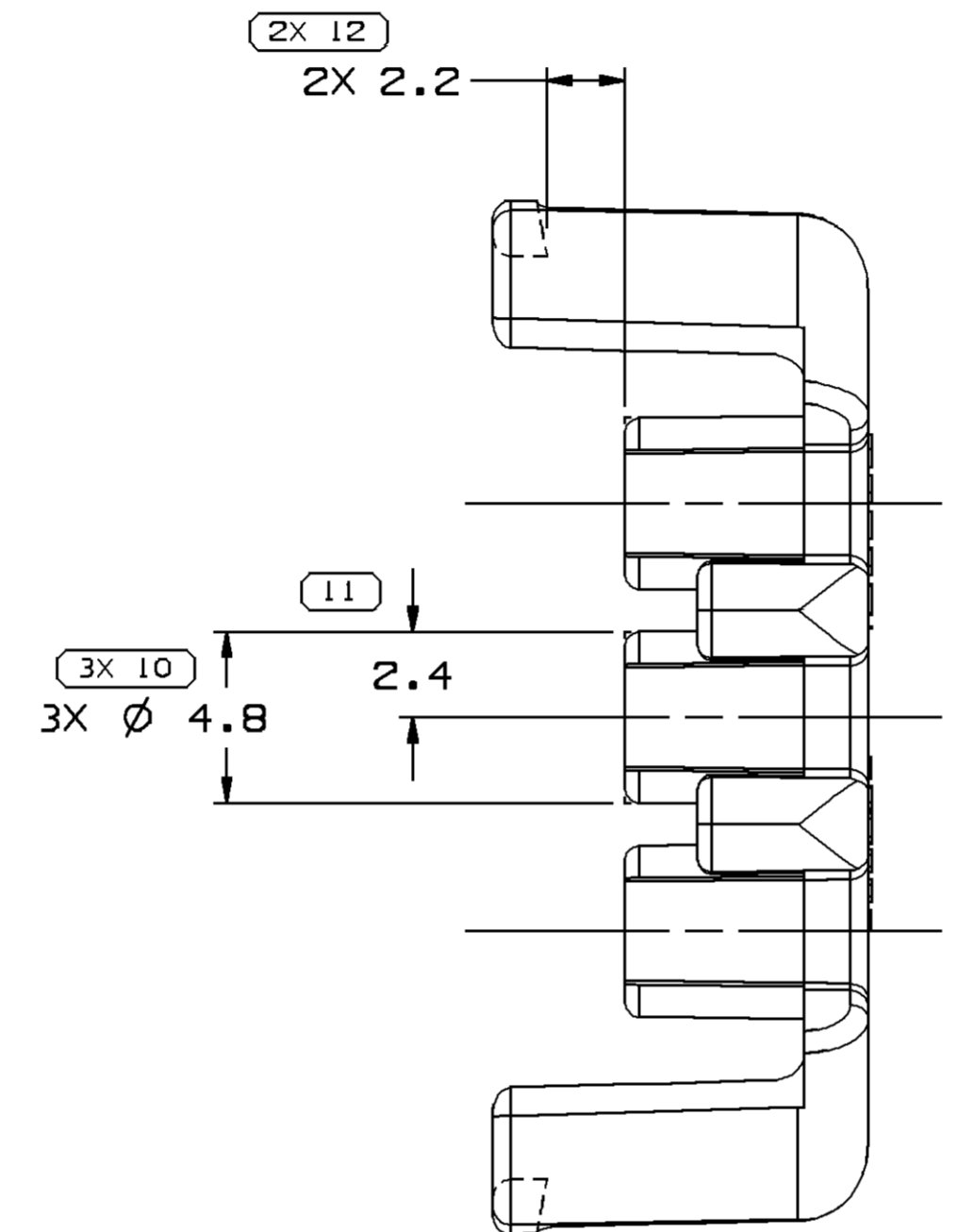
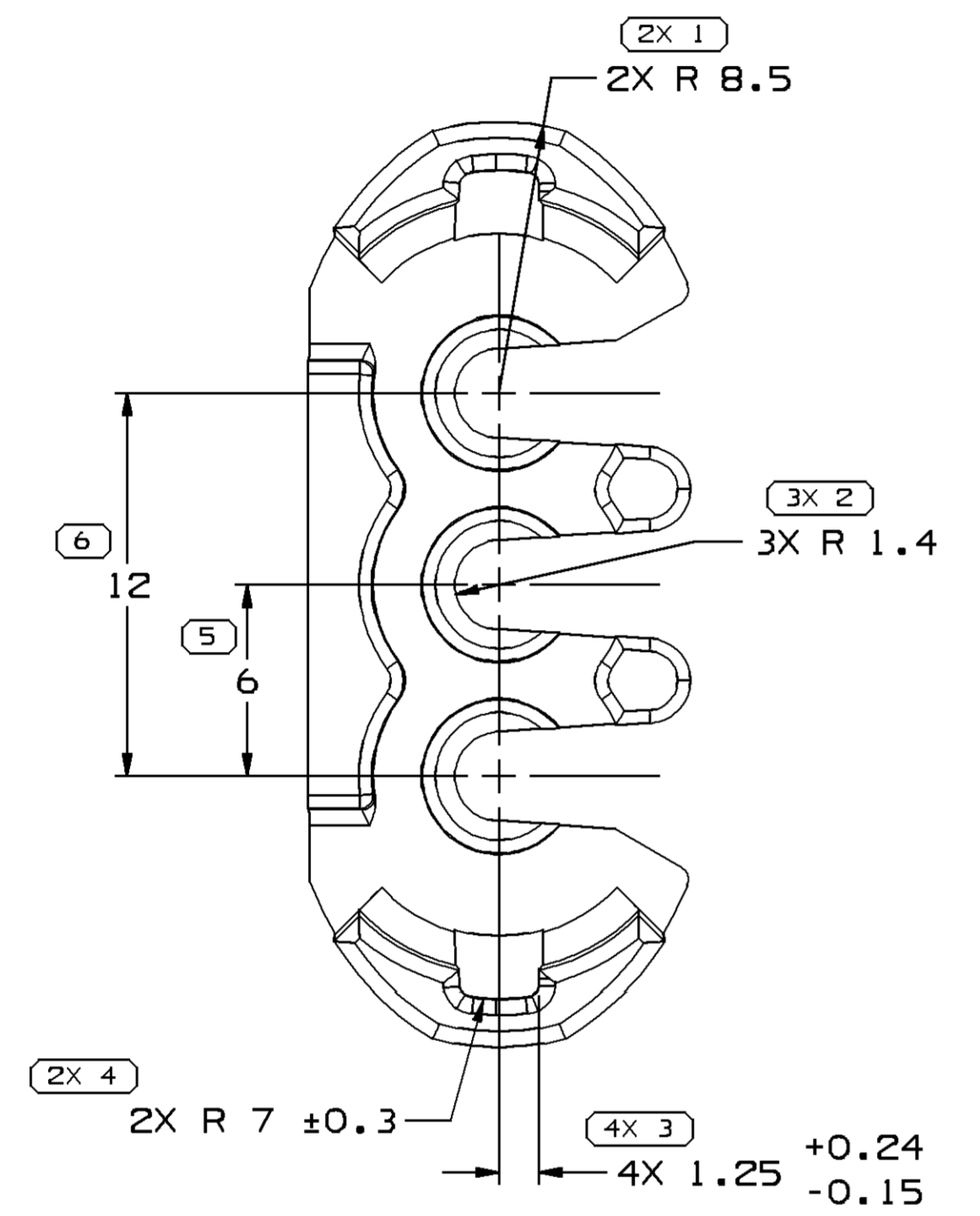
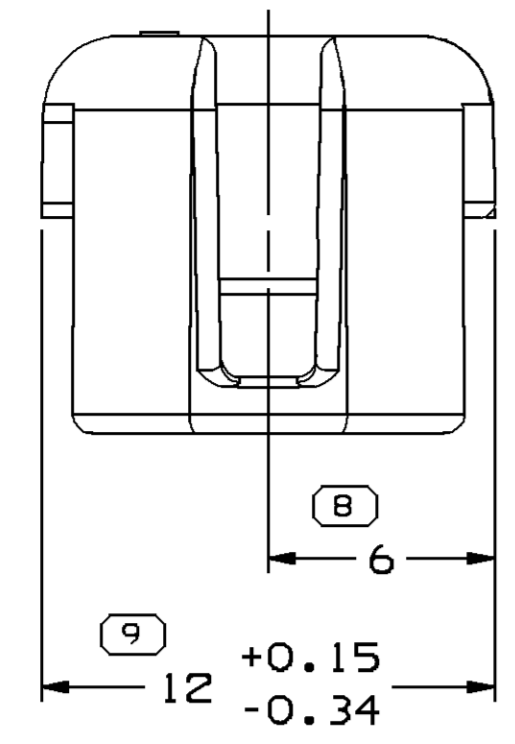


SYMBOL DEFINITION		MISSING SYMBOLS	
A DIMENSION WITHOUT AN INSPECTION REPORT SYMBOL DOES NOT REQUIRE INSPECTION. IT MAY BE CONTROLLED ON THE INDIVIDUAL COMPONENT DRAWING.	TOTAL NO OF INSPECTIONS REQUIRED	NO MISSING SYMBOL NUMBER	27
	LAST NO. USED		16

DWG STATUS				ZONE	REVISION HISTORY	AUTH	DR	APVD1	APVD2
DATE	STG	REV	N/P						
10N000	R	01	-	-	ALL PARTS - ADDED OPTIONAL CONSTRUCTION	204250	RVP	JLZ	GMC
13FE01	R	02	-	-	ALL PARTS - DIMENSION R 7±0.3 WAS R 0.7±0.3	206528	RVP	JLZ	GMC
25N002	R	03	-	-	ALL PARTS - 12 +0.15/-0.34 WAS 12 +0.15/-0.2 (2 PLCS)	233847	RH	RH	ET
30JA04	R	04	-	-	12052845 - UPDATED PDM ATTRIBUTES	251419	LFS	LFS	ET
200C06	R	05	-	-	12052845 - MAT'L SPEC WAS M3592002	286019	JBD	AUG	JGS



NOTES

- UNLESS OTHERWISE SPECIFIED AND/OR INDICATED: DIMENSIONS ARE TO FACE OF VIEW SHOWN AND AUTOMATICALLY ROUNDED BY COMPUTER FOR INSPECTION (SEE MATH MODEL FOR PRECISE DIMENSIONS). FOR ALL OTHER DIMENSIONS NOT SHOWN BUT REQUIRED FOR TOOL BUILD, SEE MATH MODEL FOR PRECISE TOOL PATH DATA.
- TOOL CAVITY IDENTIFICATION SHOULD BE LOCATED AS CLOSE TO THE GATE AS POSSIBLE.
- THIS PART USED IN ASSEMBLY 12059595.
- MATERIAL RECYCLING CODE PER SAE J1344. (1)(X)(0.1) RAISED CHARACTERS AS SHOWN TO BE LOCATED ON ANY EXTERIOR SURFACE. OPTIONAL CONSTRUCTION TO BE NO MATERIAL RECYCLING CODE.
- THIS PART IS NOT CONTROLLED FOR AUTOMATIC FEEDING.
- MATING COMPONENTS OR EQUIVALENT: CONNECTOR 12052843 & 12052844
- (1)(X)(0.1) RAISED DELPHI CORPORATE BRAND TO BE LOCATED ON ANY EXTERIOR SURFACE, PREFERABLY VISIBLE AT FINAL ASSEMBLY. OPTIONAL CONSTRUCTION TO BE "PED" OR NO LOGO.
- MAX CABLE DIA FOR THIS PART IS 2.8 MM.

OPTIONAL CONSTRUCTION

PART NO	REV	N/P	STATUS	MATERIAL SPECIFICATION AND COLOR	VOL CM³
15324164	A5	-		M3586003 PA46 HS IM GRA	0.881
15326074	A4	-		M3592015 PA66 HS IM GRN LT	0.881
12162421	A6	-		M3592001 PA66 HS IM BLK	0.881
12052845	07	-		M3592024 PA66 HS IM CRM	0.881

DIMENSIONAL RANGE (MM)		TOLERANCE UNLESS OTHERWISE SPECIFIED		ANGULAR TOLERANCE ±2°	
FROM	TO				
> 0	> 20	> 20	> 30	> 30	> 100
> 20	> 30	> 30	> 70	> 70	> 150
> 30	> 70	> 70	> 100	> 100	> 200
> 70	> 100	> 100	> 150	> 150	> 250
> 100	> 150	> 150	> 200	> 200	> 300
> 150	> 200	> 200	> 250	> 250	> 400
> 200	> 250	> 250	> 300	> 300	> 400
> 250	> 300	> 300	> 400	> 400	

DWG TYPE PART DRAWING	
STYLE	
VOLUME (QTY) SEE CHART	DISTR CODE D
UNLESS OTHERWISE SPECIFIED THIS DOCUMENT IS IN ACCORDANCE WITH ASME Y14.5M-1994 AS AMENDED BY THE GM GLOBAL DIMENSIONING AND TOLERANCING ADDENDUM - 1997. ALL GEOMETRIC TOLERANCES AND RELATED DATUMS APPLY RFS. RULE #1 (PERFECT FORM AT MMC) DOES NOT APPLY WHEN RELATIONSHIP BETWEEN FEATURES IS ESTABLISHED BY ORIENTATION OR LOCATION TOLERANCES. SEPARATE POSITION CALLOUTS MAY BE GAGED SEPARATELY, REGARDLESS OF DATUM REFERENCE. ALL DIMENSIONS ARE IN MILLIMETERS	
REFERENCE	
THIRD ANGLE PROJECTION	DO NOT SCALE USE MATH DATA
UNIGRAPHICS	

DELPHI	
DELPHI PACKARD ELECTRIC SYSTEMS WARREN, OH	
DR	DATE
APVD1 R. BURNS	06JN94
APVD2 R. BURNS	06JN94
APVD3 J. SLUSS	19JN94
APVD4	
APVD5	
SUBSTANCES OF CONCERN AND RECYCLED CONTENT PER DELPHI 10949001	
MATERIAL SEE CHART	
DRAWING NAME TAXI LOCK SECONDARY TPA M/P	
DRAWING NUMBER 12162453	
SIZE A1	SCALE 5:1
FRAME NO 1 OF 1	SHEET NO 1 OF 1
STG R	REV 05
N/P -	