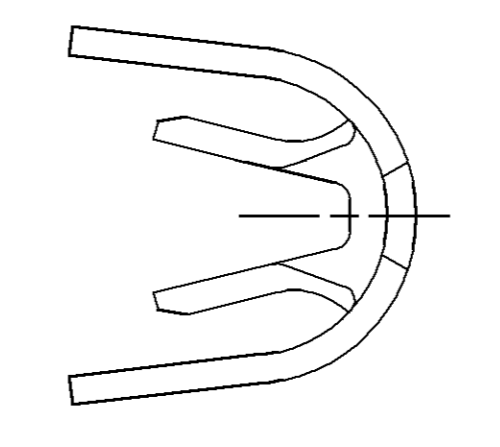
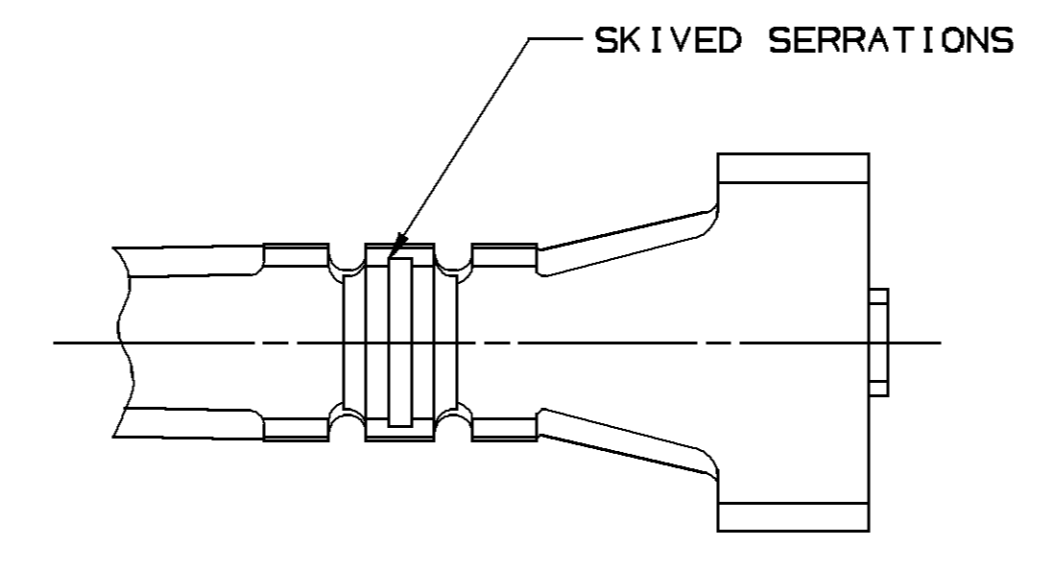
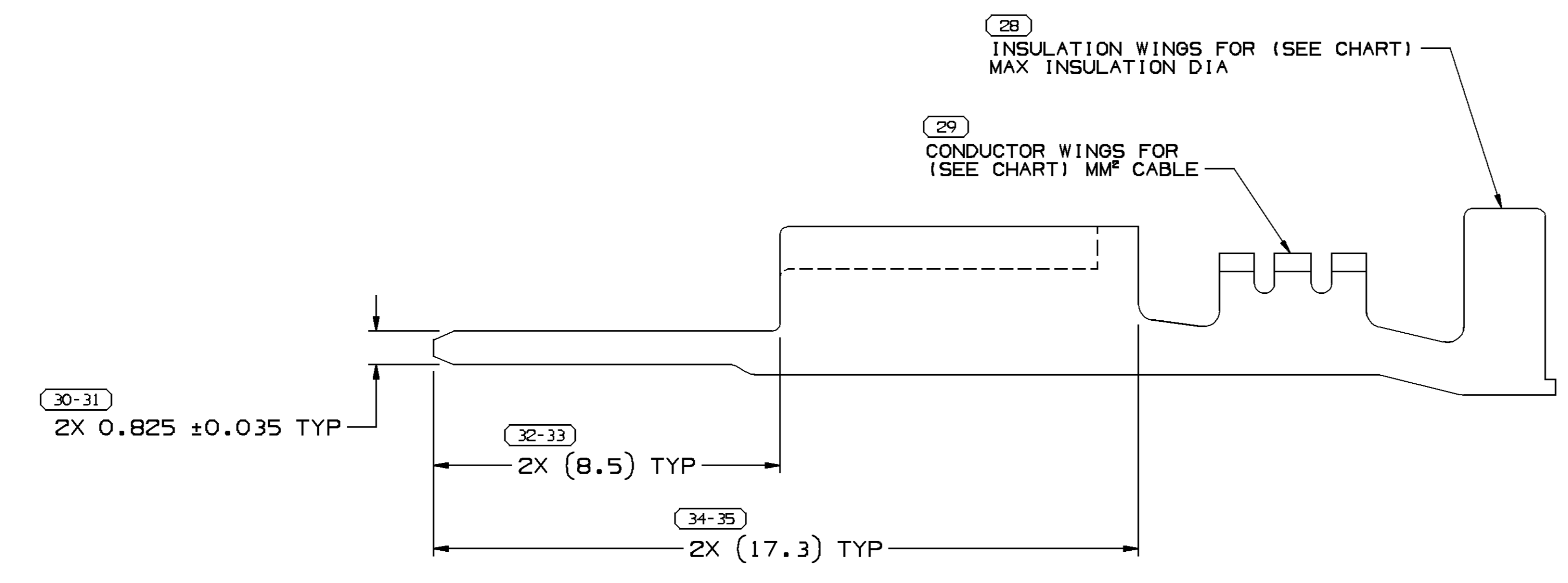
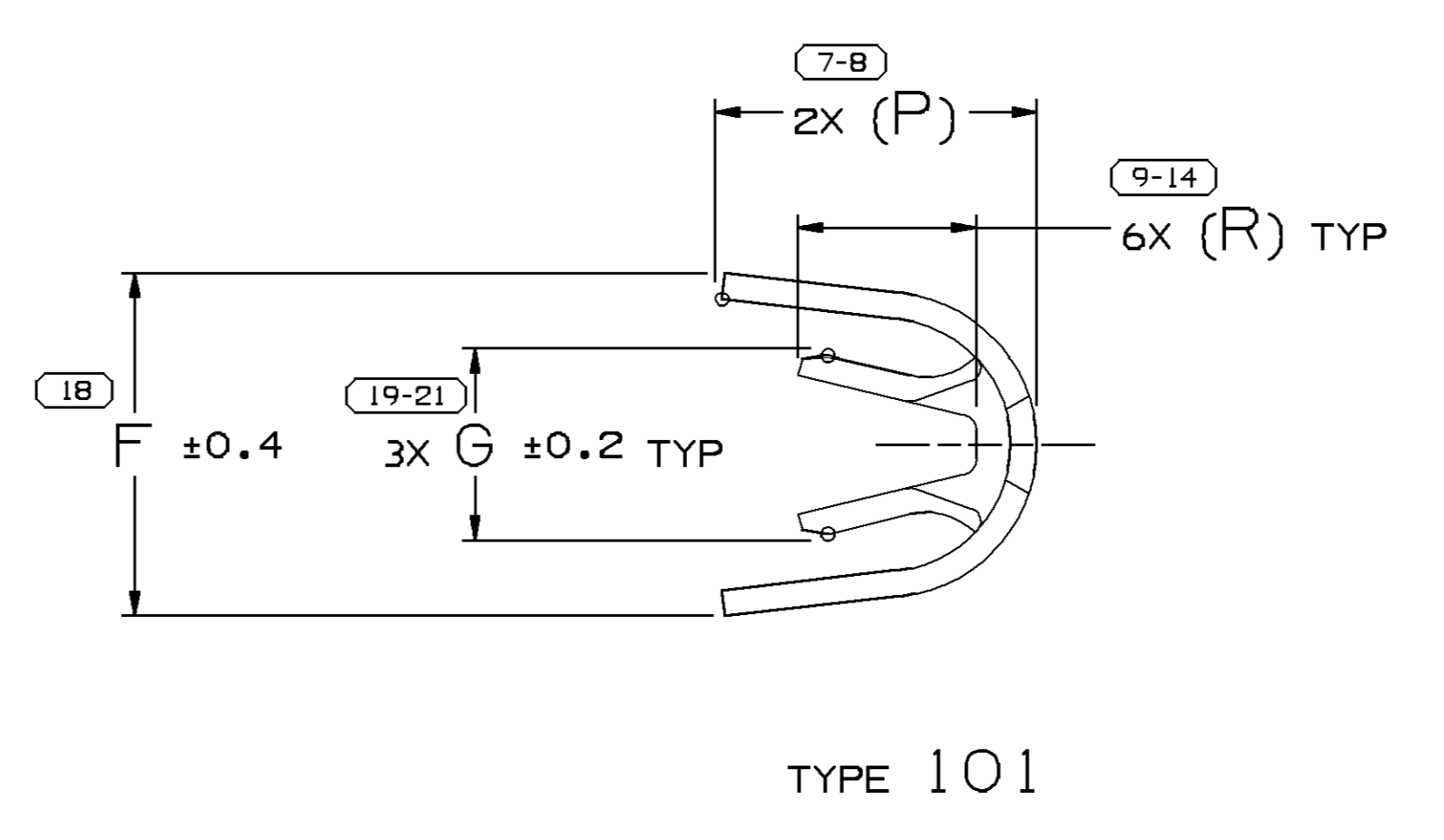
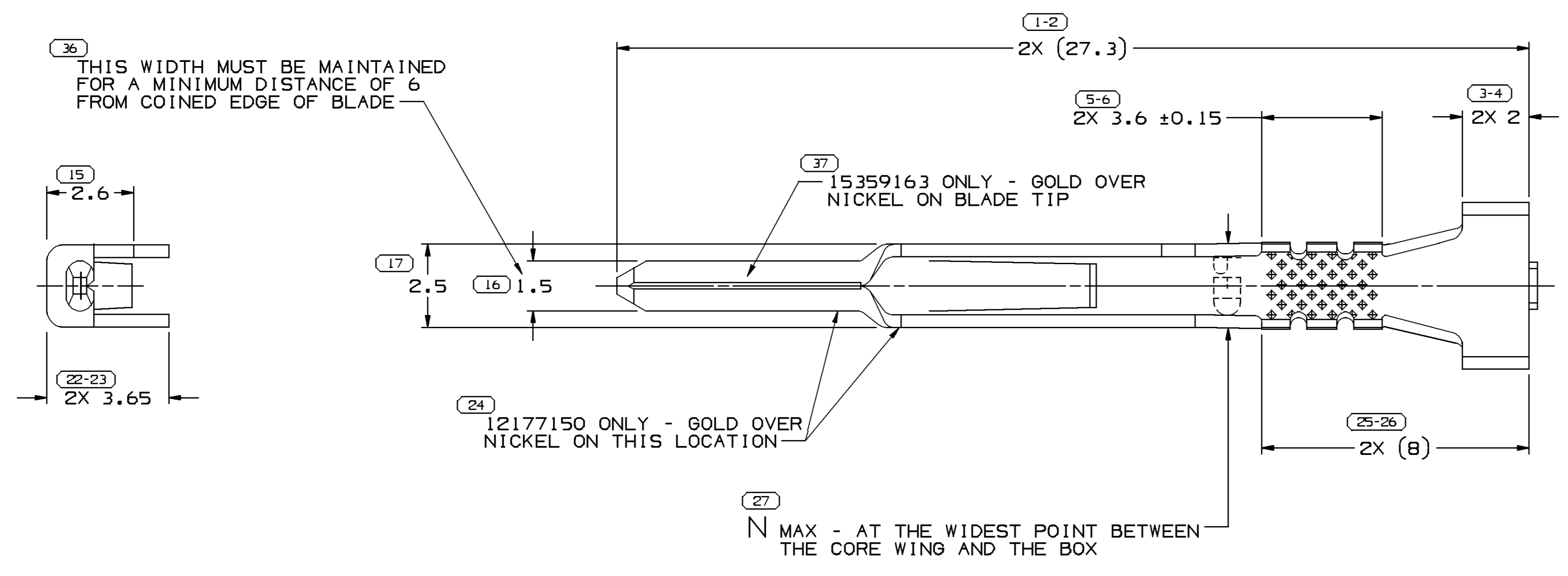


SYMBOL DEFINITION		MISSING NUMBERS	
THE NUMBER INSIDE THE SYMBOL ( ) CORRESPONDS TO THE NUMBER ON THE INSPECTION REPORT FOR THIS DRAWING/PART NUMBER	TOTAL NO. OF SYMBOLS ON DRAWING	22	
	LAST NO. USED	38	

DWG STATUS				REVISION HISTORY				AUTH		APPROV	
DATE	STG	REV	N/P	CHG	ZONE						
10FE00	R	001	-	-		CLEARED REV COLUMN# 15359163 - RELEASED	000005	JHN	PHC	MDM	
08MY00	R	002	-	-		15359163 - TERMINAL FORM ID 21 WAS ID 19	200183	FRB	MVA	MDM	
30JUN00	R	003	-	-		15359163 - REV MAT'L SPEC	202037	TLP	TLP	MJD	
15JUN05	R	04	-	-		CORRECTED DIM LOCATION FOR DIM 2.6	269209	MJM	MJM	MKM	
08DEC06	R	05	-	-		REVISED MATERIAL SPEC- 12191888, 12191887, 12077628, 12045773 WAS P3607402 AND 12077150 WAS PM003636	287631	MM	MM	MKM	



TYPE 102  
SAME AS TYPE 101  
EXCEPT AS SHOWN



- NOTES
- UNLESS OTHERWISE SPECIFIED AND/OR INDICATED: DIMENSIONS ARE TO FACE OF VIEW SHOWN AND AUTOMATICALLY ROUNDED BY COMPUTER FOR INSPECTION (SEE MATH MODEL FOR PRECISE DIMENSIONS). FOR ALL OTHER DIMENSIONS NOT SHOWN BUT REQUIRED FOR TOOL BUILD, SEE MATH MODEL FOR PRECISE TOOL PATH DATA.
  - MATING COMPONENTS OR EQUIVALENT: TERMINAL 12048074
  - PART TO BE USED WITH CABLE SEAL

PART NO	STG	REV	N/P	STATUS	MAT'L SIZE	MAT'L SPEC	PART NO	STG	REV	N/P	STATUS	MAT'L SIZE	MAT'L SPEC	PART NO	STG	REV	N/P	STATUS	MAT'L SIZE	MAT'L SPEC	
12092703	R	B2	-	OBSOLETE	0.381 X 35.71	PM003607 402 425 TIN BRS 1/2 HD	12077628	R	C2	-	OBSOLETE	0.381 X 35.71	PM003607 402 425 TIN BRS 1/2 HD	12052408	R	C	-	OBSOLETE	0.381 X 35.71	PM003607 402 425 TIN BRS 1/2 HD SN PLTD	
12092668	R	C2	-	OBSOLETE	0.381 X 35.71	PM003607 402 425 TIN BRS 1/2 HD	12045773	R	H2	-	OBSOLETE	0.381 X 35.71	PM003607 402 425 TIN BRS 1/2 HD	12045773	R	H2	-	OBSOLETE	0.381 X 35.71	PM003607 402 425 TIN BRS 1/2 HD	

(15) PROCESS SENSITIVE DIMENSION	
DIMENSIONS ENCLOSED IN ( ) INDICATE REFERENCE DIMENSIONS AND NO TOLERANCE LIMITS ARE ESTABLISHED	
DIMENSIONAL RANGE: DIM CHART D	
FROM 0 TO 12	>12
TOLERANCE UNLESS OTHERWISE SPECIFIED	
±0.1	±0.2
ANGULAR TOLERANCE 2°	

PART DRAWING	
STYLE	DISTR CODE
VOLUME 10/1	D
UNLESS OTHERWISE SPECIFIED	
THIS DOCUMENT IS IN ACCORDANCE WITH ASME Y14.5M-1994	
AS MODIFIED BY THE MM SYSTEM DIMENSIONING AND TOLERANCE PRACTICES. SEPARATE NOTATIONS OF FEATURES MAY BE BASED SEPARATELY PERmissible OF DATUM REFERENCES.	
ALL DIMENSIONS ARE IN MILLIMETERS	
THIRD ANGLE PROJECTION	DO NOT SCALE
USE MATH DATA	UNGRAPHS

**DELPHI**  
DELPHI PACKARD ELECTRIC SYSTEMS  
WARREN, OH

DR	DATE
APV01 R MOYSEN M	04SE96
APV02 W TURNBULL	07SE96
APV03 C SCHAEFFER	18OC96
APV04	
APV05	

SUBSTANCES OF CONCERN AND RECYCLED CONTENT PER DELPHI 10949001

MATERIALS SEE CHART

DRAWING NAME: TAXI TERM M M/P 150 SEALED

DRAWING NUMBER: 12089630

SIZE A0	SCALE 10:1	FRAME NO 1	SHEET NO 1	STG REV N/P 1 R 05
---------	------------	------------	------------	--------------------