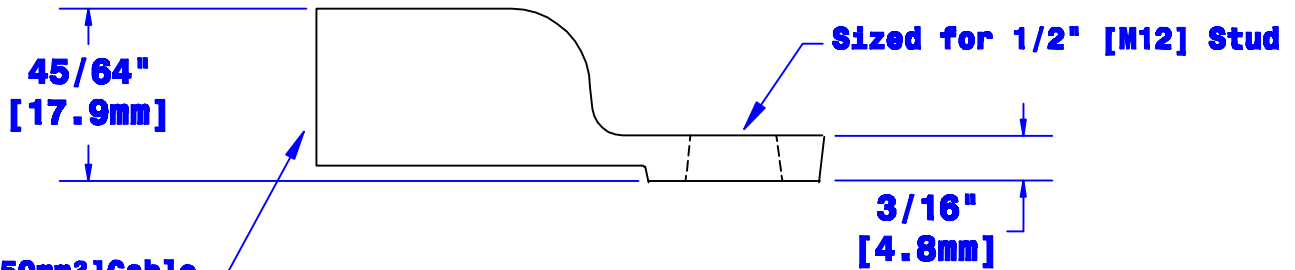
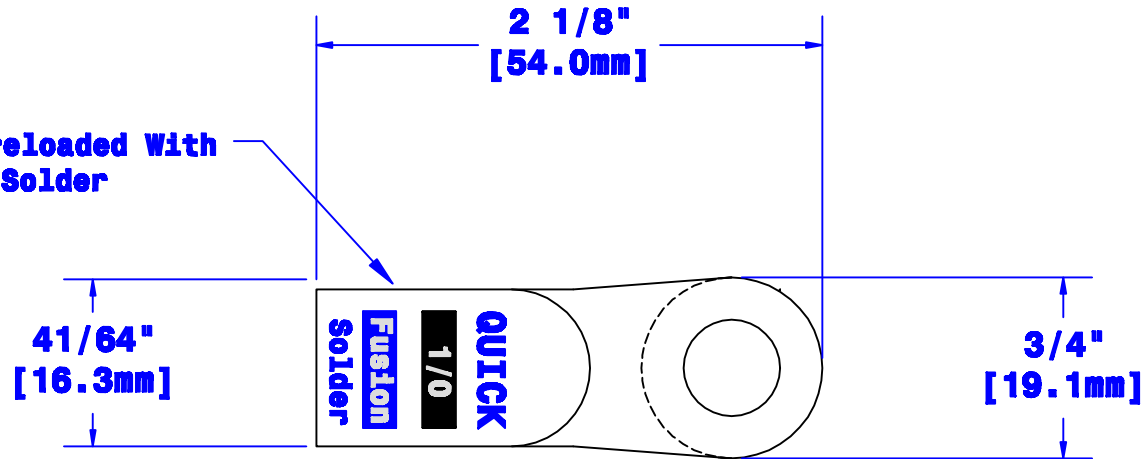


Barrel Preloaded With Flux and Solder



Sized for 1/0 [50mm²] Cable
3/4" [19.1mm] Min. Depth

Property of QUICK CABLE 3700 Quick Dr. Franksville WI	TITLE Die Cast Lug 1/0 for 1/2" Stud [50mm²] [M12]	
	PART # 486310H	
	Material & Treatment High Conductivity Copper Alloy Tin Plated	Drawing # 486310H-Info
Sheet 1 of 1		

					Drawn By Jim H	Date 8-30-04	Checked By Mike E	Scale None
					Tolerances, unless otherwise noted Dimensions are reference only			
Rev A	Date 06-02-06	ECN# 1844	By JMH	Description Reverse taper on stud hole				