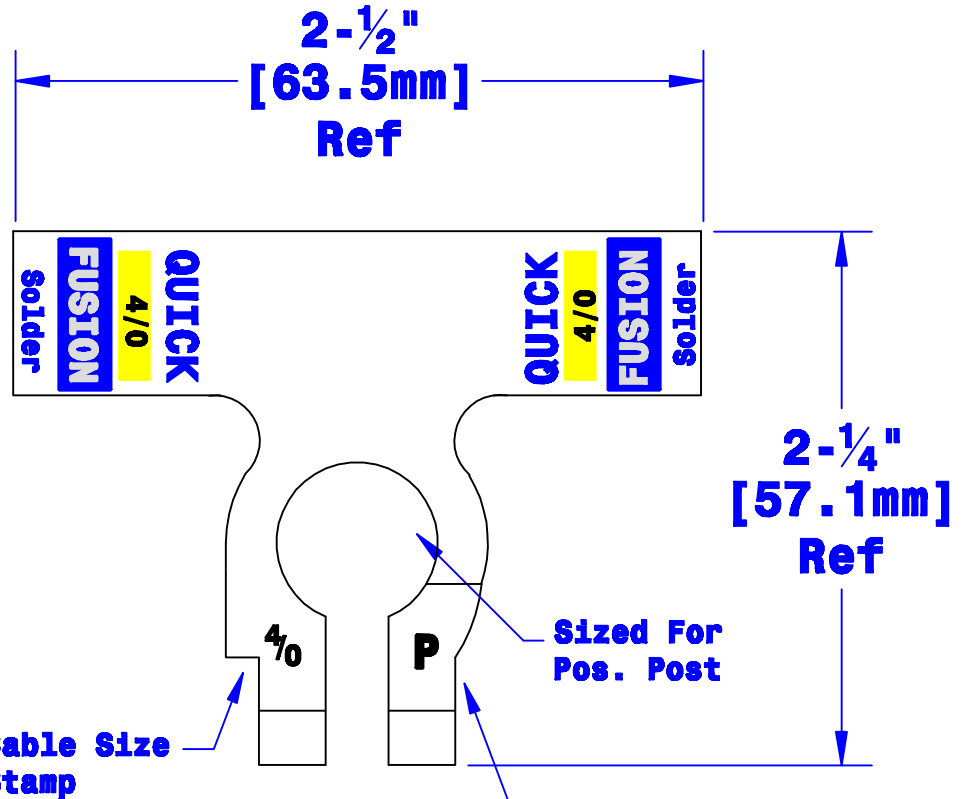
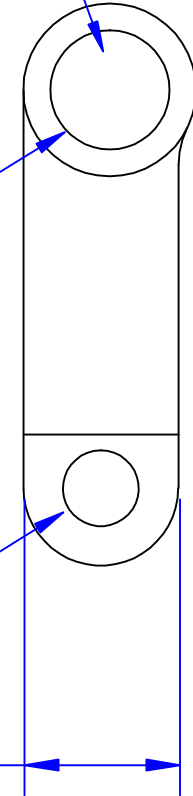


**I.D. sized for
4/0 ga[103mm²]
stranded cable
7/8" [22.2mm]
max depth**

**Prefilled With
Rosin & Solder**

**Hole sized for
5/16" [M8] bolt**

**23/32" [18.3mm]
Ref**



**To Include:
5/16-18 Bolt
P/N 6700T
5/16-18 Nut
P/N 6701T**

Property of QUICK CABLE 3700 Quick Drive Frankeville, WI 53126 U.S.A. www.quickcable.com		TITLE Die Cast 4/0 Ga. Flag [103mm²]	
		PART # 436340P	
Confidential and Proprietary Information			
Material & Treatment High Conductivity Copper Alloy Matte Tin Plate		Drawing # 436340P-Info	REV Sheet 1 of 1

					Drawn By Jim H	Date 8-08-07	Checked By Mike E	Scale None
					Tolerances, unless otherwise noted Dimensions are reference only			
Rev	Date	ECN#	By	Description				