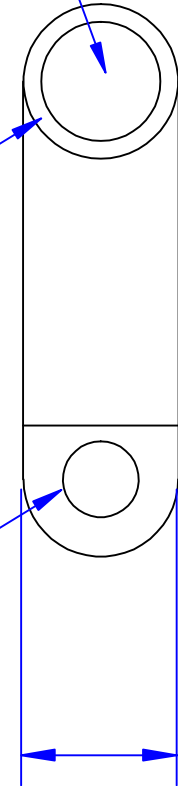


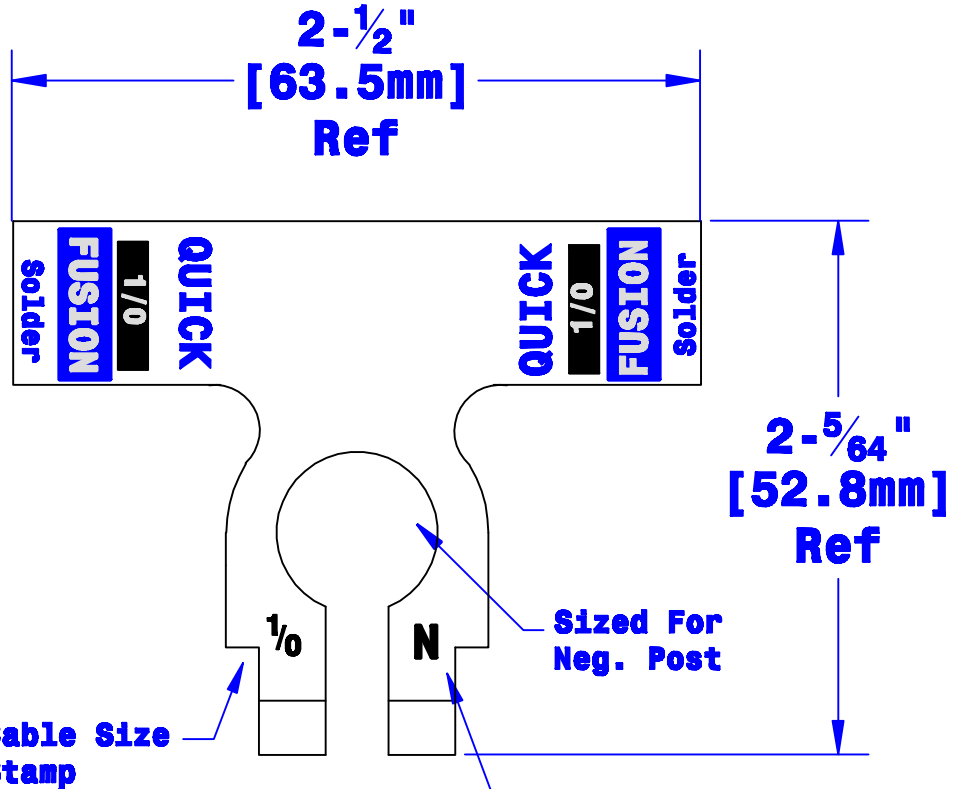
**I.D. sized for
1/0 ga [50mm²]
stranded cable**

**Prefilled With
Rosin & Solder**

**Hole sized for
5/16" [M8] bolt**



**4 1/64" [16.3mm]
Ref**



**Cable Size
Stamp**

**Sized For
Neg. Post**

**Polarity
Stamp**

**To Include:
5/16-18 Bolt
P/N 6700T
5/16-18 Nut
P/N 6701T**

Property of QUICK CABLE 3700 Quick Drive Frankeville, WI 53126 U.S.A. www.quickcable.com		TITLE Die Cast 1/0 Ga. Flag [50mm²]	
		PART # 436310N	
Confidential and Proprietary Information			
Material & Treatment High Conductivity Copper Alloy Matte Tin Plate		Drawing # 436310N-Info	REV Sheet 1 of 1

Rev	Date	ECN#	By	Description

Drawn By Jim H	Date 8-08-07	Checked By Mike E	Scale None
Tolerances, unless otherwise noted Dimensions are reference only			