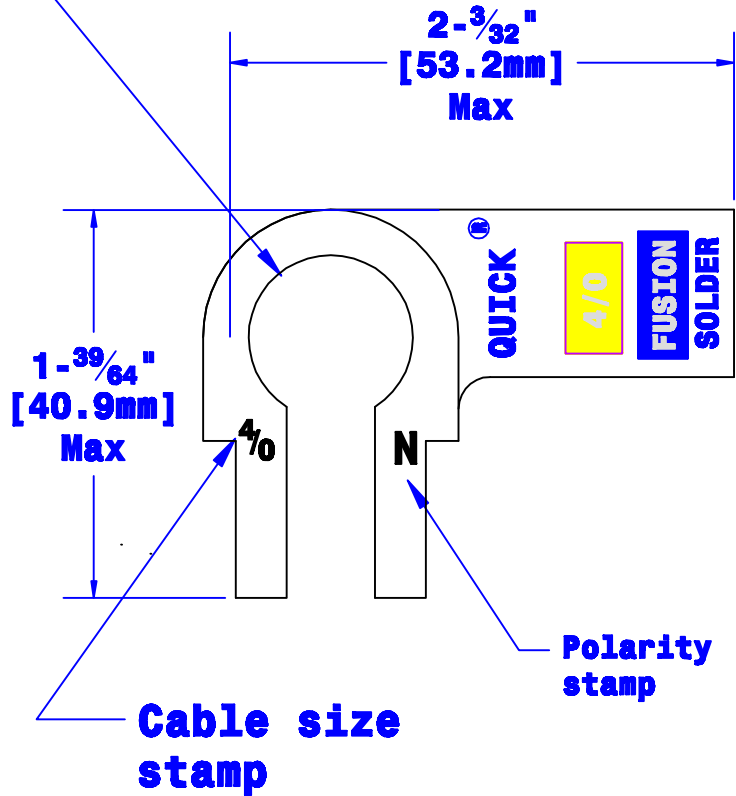
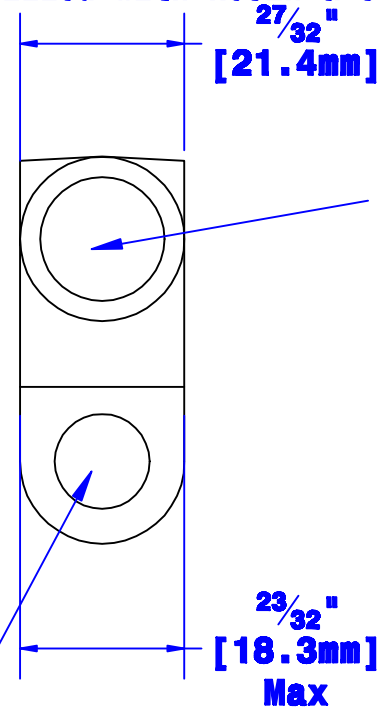


Sized for Neg. Post



Prefilled With Rosin & Solder



Bolt Hole Sized for 5/16" [M8] bolt

Property of <b>QUICK CABLE</b> 3700 Quick Drive Franksville, WI 53126 U.S.A. www.quickcable.com	TITLE Die Cast 4/0 Ga. [103mm <sup>2</sup> ] Left Elbow, Fusion
	PART # <b>426340N</b>
<b>Confidential and Proprietary Information</b>	
Material & Treatment High Conductivity Copper Alloy Matte Tin Plated	Drawing # <b>426340N-INFO</b>
Sheet 1 of 1	

Rev	Date	ECN#	By	Description	Drawn By <b>JS</b>	Date <b>08/13/07</b>	Checked By <b>Mike E</b>	Scale <b>None</b>
					Tolerances, unless otherwise noted Dimensions for reference only			