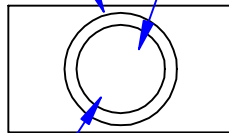


35/64"
[14mm]
Dia. Ref

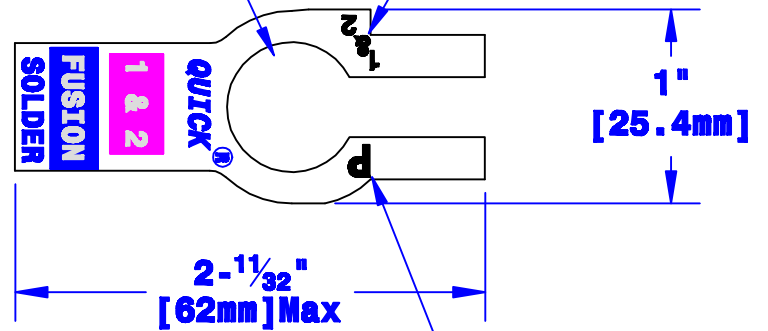
Prefilled With
Rosin & Solder



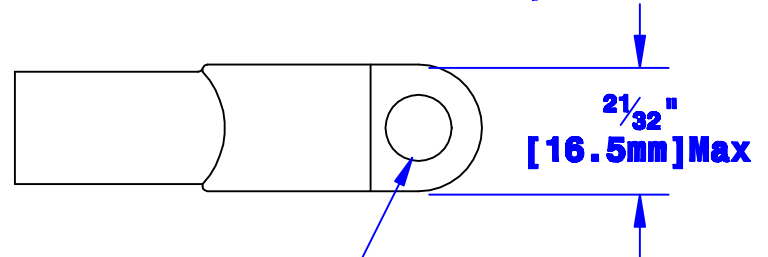
I.D. Sized For 1 & 2 Ga
[40mm² & 32²mm] Stranded Cable
7/8" [22.2mm] Min Depth

Sized for Pos. Post

Cable Size
Stamp



Polarity
Stamp



Bolt Hole Sized
For 5/16" [M8] Bolt

Property of QUICKCABLE® 3700 Quick Drive Franksville, WI 53126 U.S.A. www.quickcable.com	TITLE Die Cast 1 & 2 Ga. Straight Clamp, Fusion
	PART # 406301P

Confidential and Proprietary Information

					Drawn By Paul	Date 3-31-03	Checked By Mike E	Scale None	Material & Treatment High Conductivity Copper Alloy Matte Tin Plate	Drawing # 406301P-Info	REV A
A	02-03-09	1750	JMH	Update print; remove one notch; shorten tange	Tolerances, unless otherwise noted Dimensions are reference only				High Conductivity Copper Alloy Matte Tin Plate	Sheet 1 of 1	
Rev	Date	ECN#	By	Description							