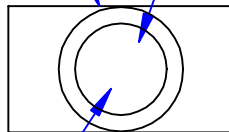


To Include:
 5/16-18 Bolt
 P/N 6700T
 5/16-18 Nut
 P/N 6701T

2 1/32"
 [16.5mm]
 Dia. Ref

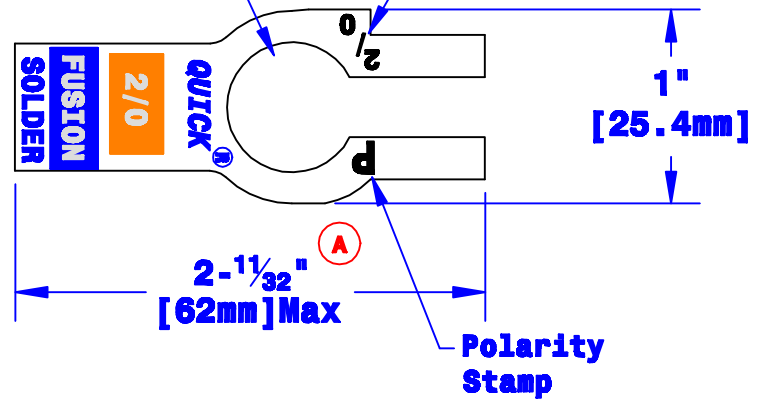
Prefilled With
 Rosin & Solder



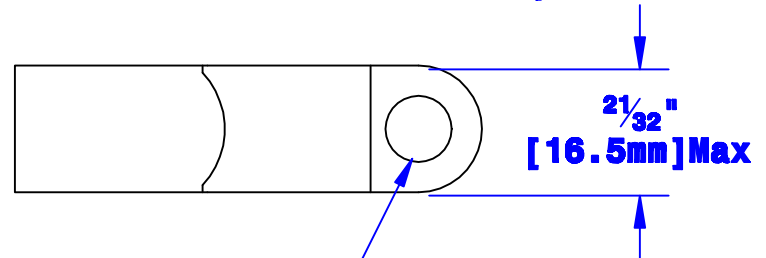
I.D. Sized For 2/0
 [62mm²] Stranded Cable
 7/8" [22.2mm] Min Depth

Sized for Pos. Post

Cable Size
 Stamp



Polarity
 Stamp



Bolt Hole Sized
 For 5/16" [M8] Bolt

Property of QUICKCABLE 3700 Quick Drive Franksville, WI 53126 U.S.A. www.quickcable.com		TITLE Die Cast 2/0 Ga. Straight Clamp, Fusion
PART # 406320P		
Confidential and Proprietary Information		
Material & Treatment High Conductivity Copper Alloy Matte Tin Plate	Drawing # 406320P-Info	REV A
Sheet 1 of 1		

Rev	Date	ECN#	By	Description	Drawn By JIM H	Date 8-08-07	Checked By Mike E	Scale None	Tolerances, unless otherwise noted Dimensions are reference only
A	02-25-09	1750	JMH	Update print; remove one notch; shorten tange					