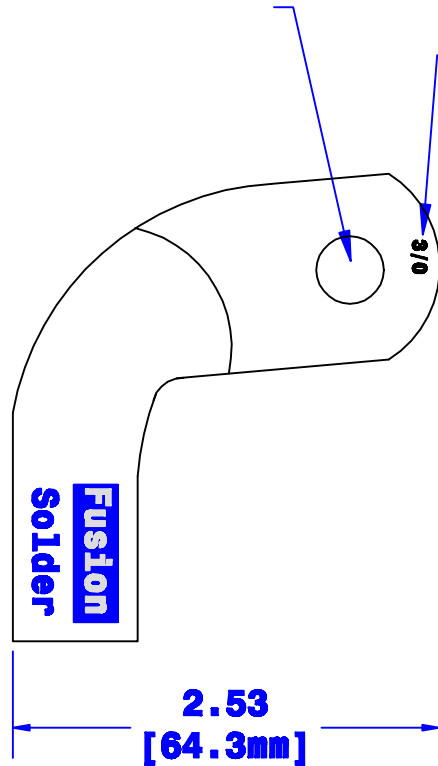
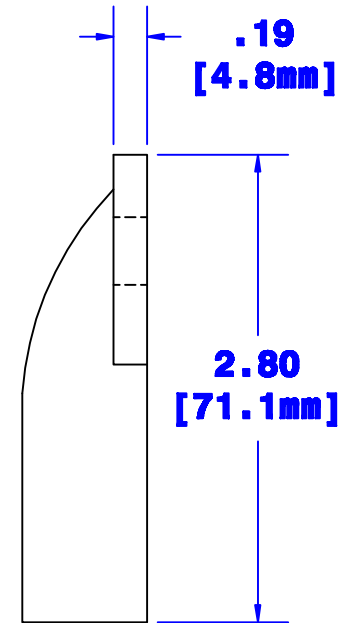


Sized for 3/8" [M10] Stud



Stamped Gauge Size



**Prefilled With Rosin & Solder
Sized for 3/0 Ga. [81mm²] Cable
Chamfered Lead-in**

Property of QUICK CABLE 3700 Quick Drive Franksville, WI 53126 U.S.A. www.quickcable.com	TITLE Fusion Right Elbow 3/0 [81mm²]
	PART # 141209
Confidential and Proprietary Information	
Material & Treatment Copper Tube Tin Plated	Drawing # 141209-Info
	REV Sheet 1 of 1

Rev	Date	ECN#	By	Description

Drawn By Jim H	Date 10-13-06	Checked By Mike E	Scale None
Tolerances, unless otherwise noted Dimensions are reference only			