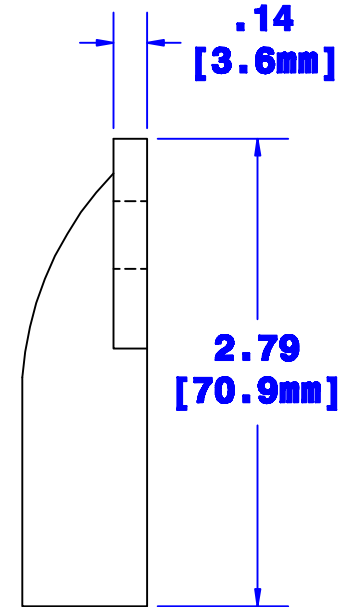
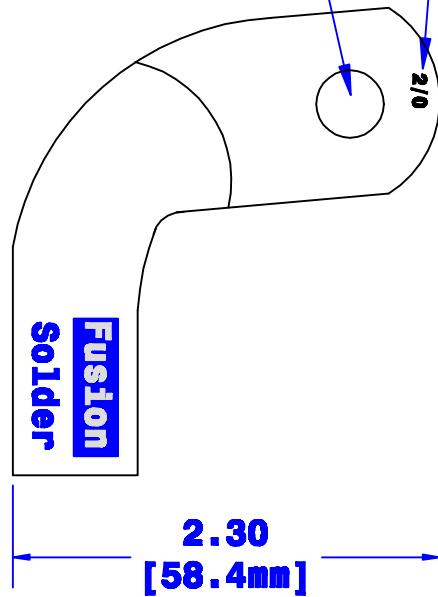


Sized for 3/8" [M10] Stud

Stamped Gauge Size



**Prefilled With Rosin & Solder
Sized for 2/0 Ga. [62mm²] Cable
Chamfered Lead-in**

Property of QUICK CABLE 3700 Quick Drive Franksville, WI 53126 U.S.A. www.quickcable.com	TITLE Fusion Right Elbow 2/0 [62mm²]
	PART # 141208

Confidential and Proprietary Information

Rev	Date	ECN#	By	Description

Drawn By Jim H	Date 10-13-06	Checked By Mike E	Scale None
Tolerances, unless otherwise noted			
Dimensions are reference only			

Material & Treatment Copper Tube Tin Plated	Drawing # 141208-Info	REV 1 of 1
	Sheet 1 of 1	